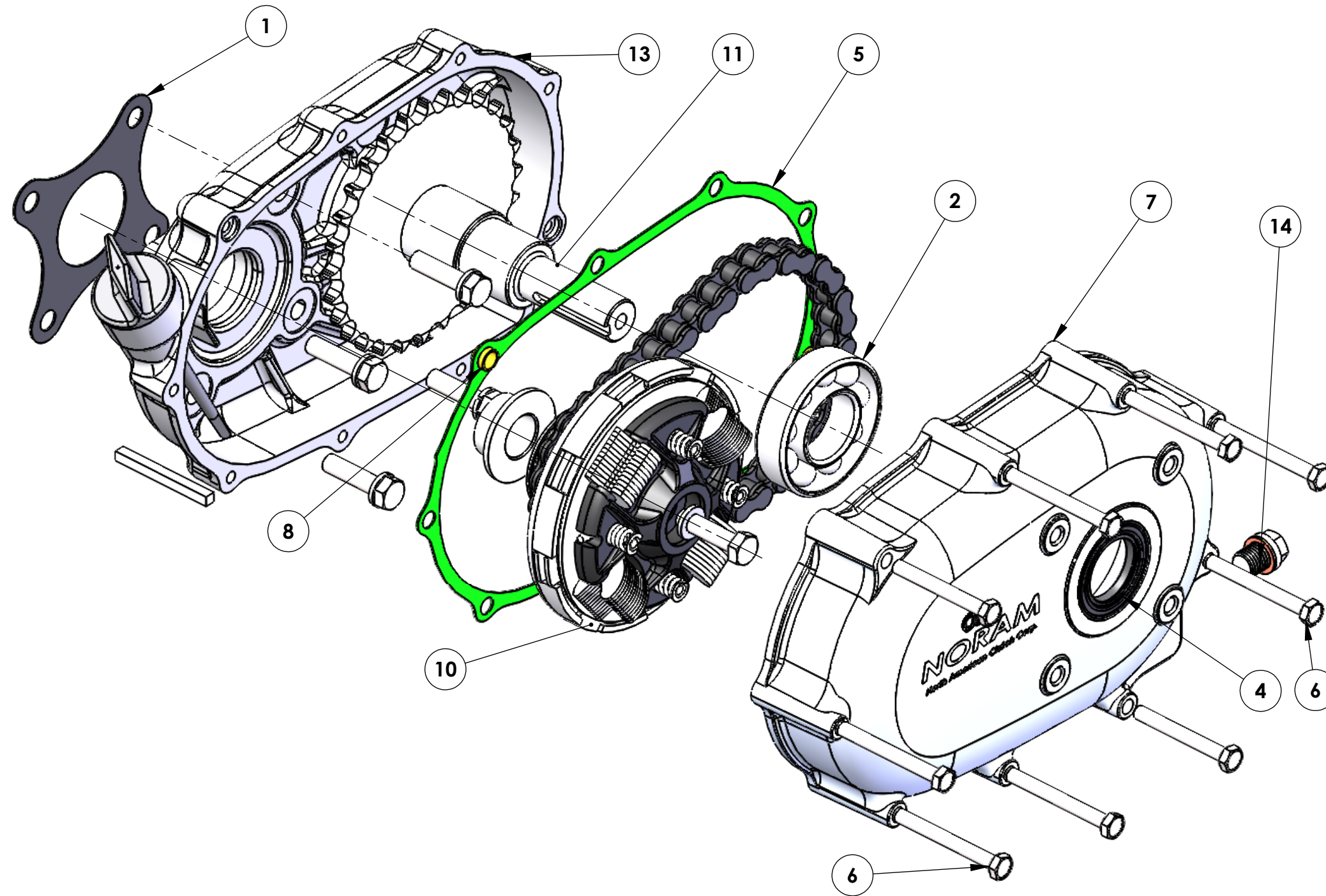


ITEM NO.	PART NUMBER	DESCRIPTION	Default/QTY.
1	03300044	GASKET	1
2	03000123	BEARING	1
3	03000120	BEARING, PTO	1
4	03300023	SEAL	1
5	03300045	GEARBOX GASKET	1
6	04000143	M6x1.0 HEX BOLT	7
7	05000087	TOP HOUSING	1
8	01700161	SLEEVE	2
9	14200001	DIPSTICK/BREATHER	1
10	119PL005	PLATE CLUTCH	1
11	11500140	SPROCKET SHAFT PTO	1
12	02400273	SEAL RING	1
13	05000094	BOTTOM HOUSING	1
14	04000111	PLUG	1
15	03900146	428 CHAIN	1
16	02400262	CRANK SPACER	1
17	04000134	HEX HD BOLT	5
18	02400086	LOCK WASHER 5/16"	5
19	02500046	KEY	1
20	04000142	M6X1.0 HEX BOLT	2
21	04000115	M8x1.25-30mm BOLT	4
22	04000019	M8x1.25-35mm BOLT	1

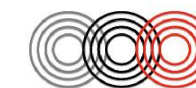
PLACE ITEMS 21 AND 22 IN A SEPARATE BAG



CLUTCH SERVICE PACK KIT -
PART #: 13500042

REV	DATE	DESCRIPTION
F	12/23/19	ADDED METRIC BOLTS
E	5/2/17	M6 BOLTS WERE TAPTITE
D	11/9/15	04000134 BOLT WAS 04000035
C	3/28/14	05000094 WAS 05000088
B	9/23/13	INSTALLATION KIT NOTE

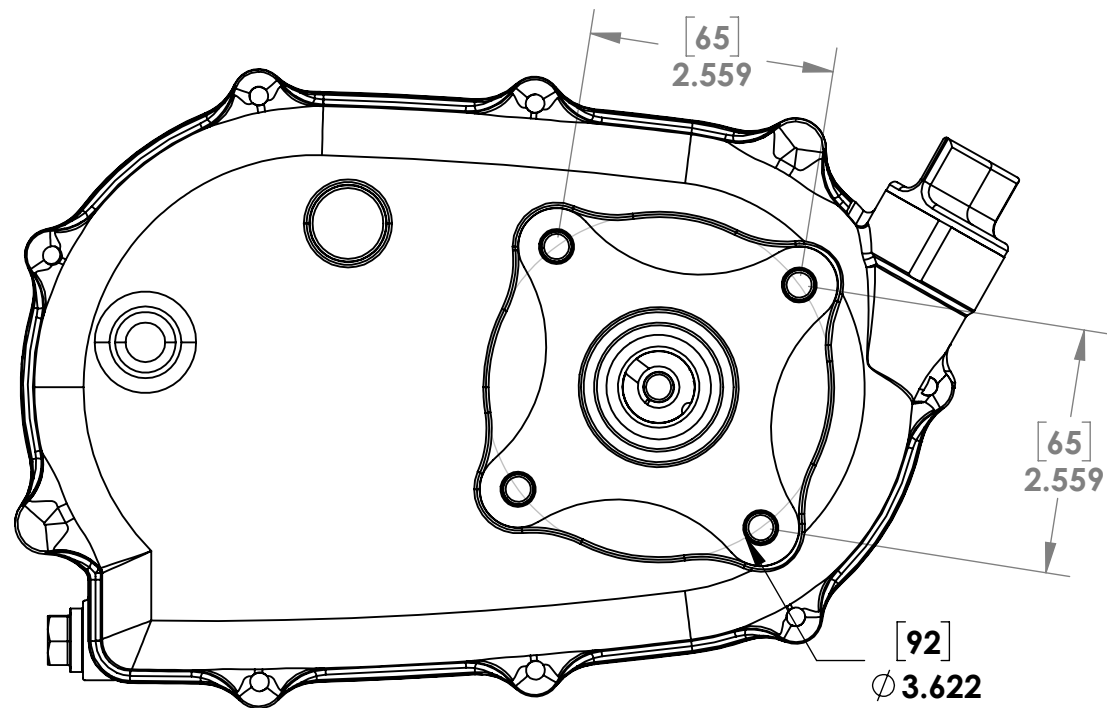
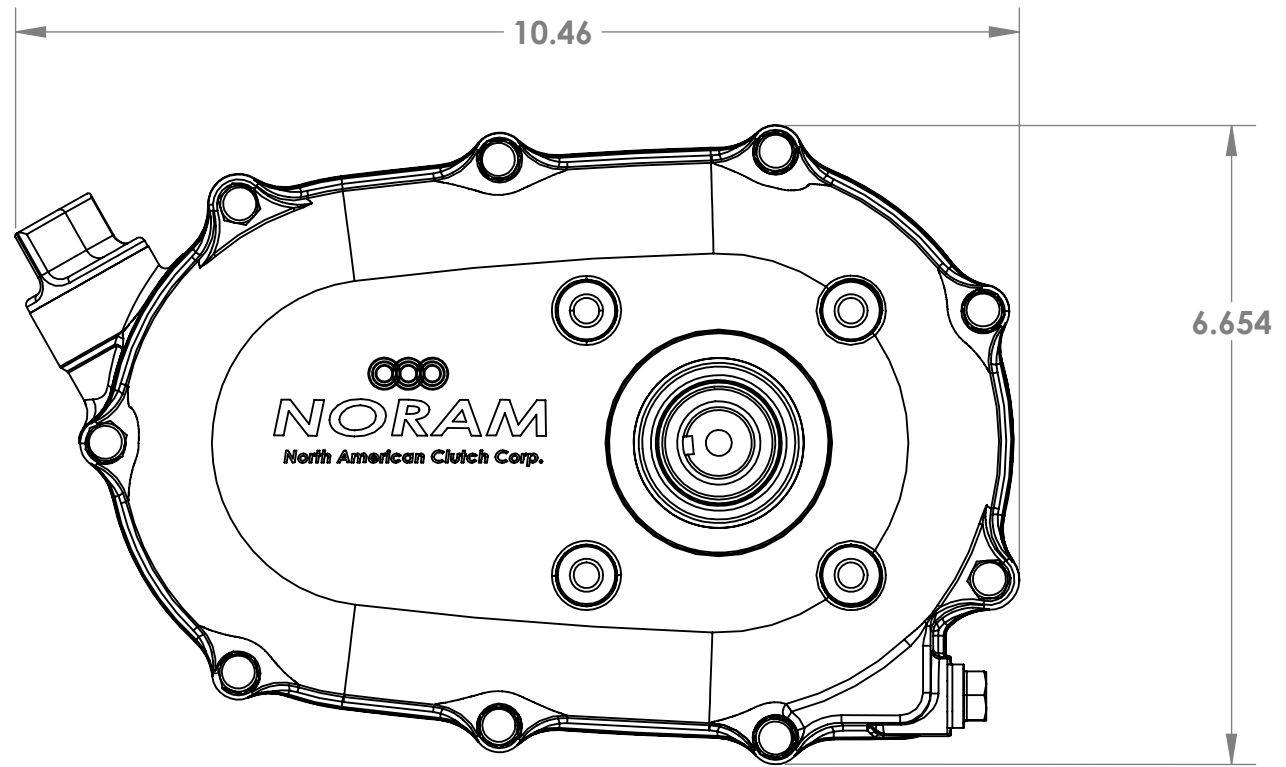
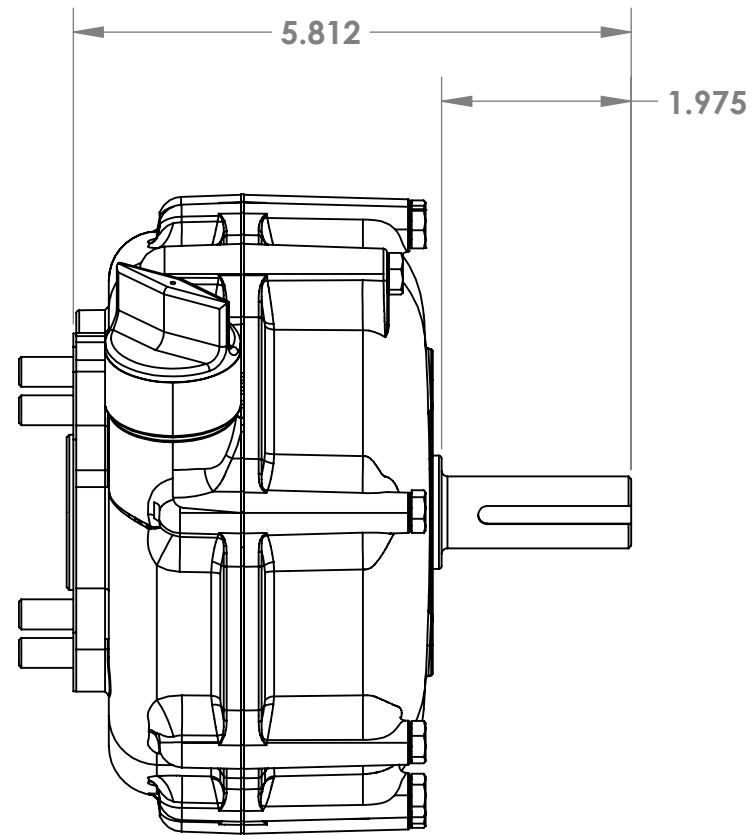
TOLERANCES UNLESS OTHERWISE SPECIFIED
 XX ± .010
 XXX ± .005
 XXXX ± .003
 FRAC. ± 1/64
 ANGLE ± 1°



NORAM™

Power Transfer Solutions

REMOVE ALL BURRS		PART NORAM 2:1 GEARBOX	
SCALE 1:2	DRAWN BY BWA	MATERIAL	
DRAWN DATE 10/29/12	CHK'D BY DH	SURFACE FINISH 125 UNLESS SPECIFIED	
RELEASE DATE X0/X0/X0	PROJECT NUMBER	PART NO. GB2-7575	
PROPERTY OF NORTH AMERICAN CLUTCH CORP. FOR CONFIDENTIAL USE ONLY.			



TOLERANCES UNLESS OTHERWISE SPECIFIED
 XX ± .010
 XXX ± .005
 XXXX ± .003
 FRAC. ± 1/64
 ANGLE ± 1°

REMOVE ALL BURRS

SCALE 1:2

DRAWN DATE 10/29/12

DRAWN BY BWA

CHECKED DATE XX/XX/XX

CHK'D BY DH

PROPERTY OF NORTH AMERICAN CLUTCH CORP. FOR CONFIDENTIAL USE ONLY.

PROJECT NUMBER



NORAM™

Power Transfer Solutions

PART NORAM 2:1 GEARBOX

MATERIAL

SURFACE FINISH 125 UNLESS SPECIFIED

PART NO.

GB2-7575