



OPERATOR'S MANUAL SUPPLEMENT ILLUSTRATED PARTS LIST



MODEL NUMBERS

4404 ENGLE RIDGE DRIVE
FORT WAYNE, IN 46804

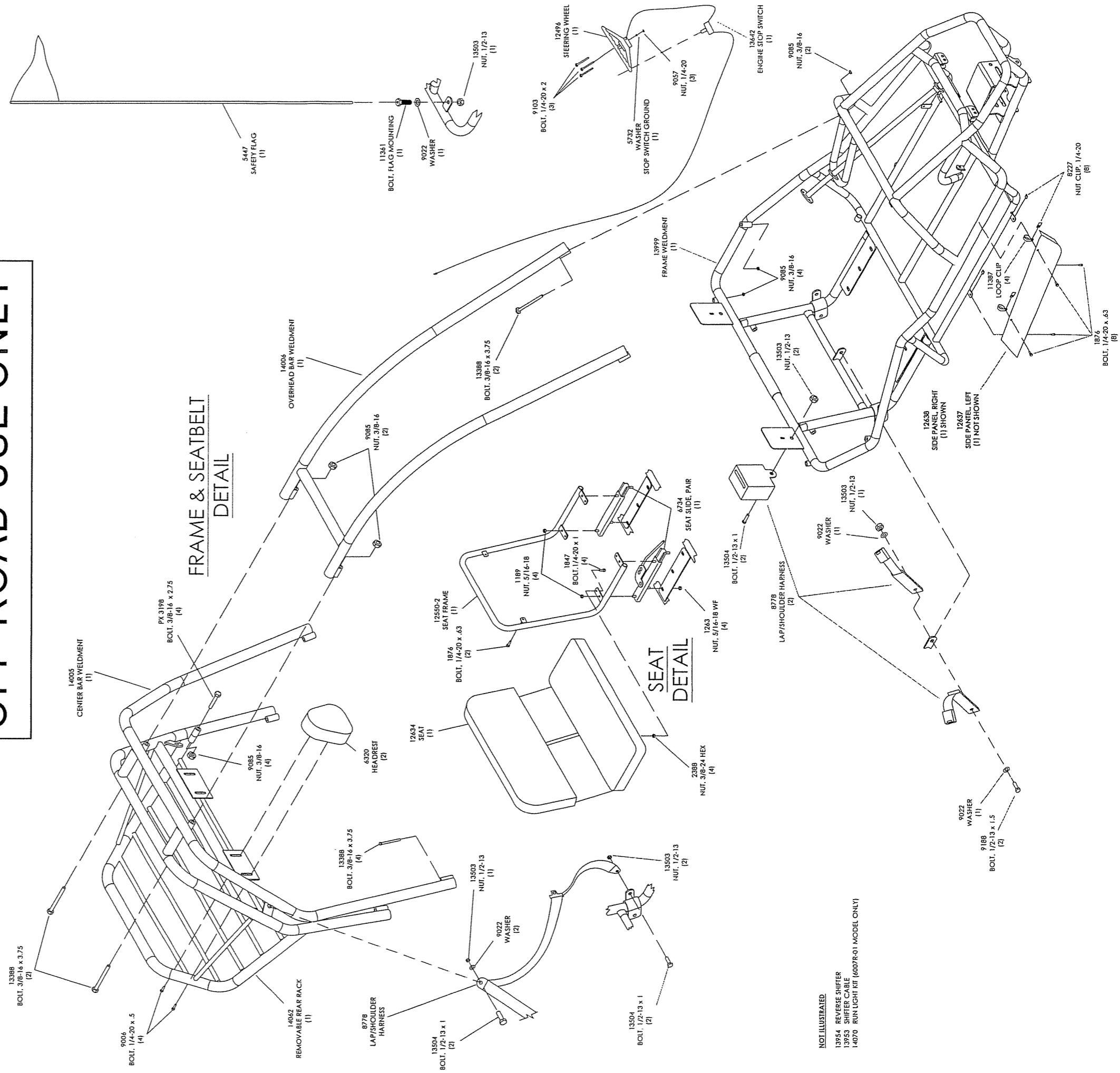
6007R-01
6006R-09

PH (260) 432-1596
FX (260) 432-7870

WARNING: READ ENGINE OWNER'S MANUAL, OPERATOR'S MANUAL, AND ALL SUPPLEMENTS CAREFULLY BEFORE OPERATING THIS VEHICLE.

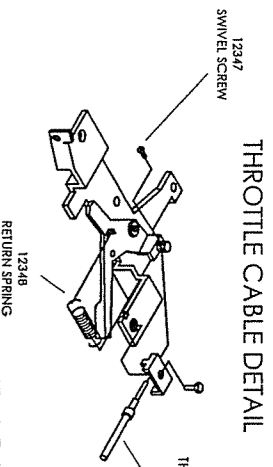
BEFORE OPERATING THIS VEHICLE, THE OWNER AND/OR OPERATOR MUST UNDERSTAND THE VEHICLE WAS NOT DESIGNED OR MANUFACTURED TO MEET SPECIFICATIONS FOR USE ON STREETS, HIGHWAYS, OR THOROUGHFARES AND HAVE READ AND HAVE AN UNDERSTANDING OF ALL THE INSTRUCTIONS FOR SAFE ASSEMBLY AND OPERATION AS WELL AS THE INSTRUCTIONS GOVERNING THE ENGINE AND OTHER PORTIONS OF THE VEHICLE.

**THIS VEHICLE IS FOR
OFF-ROAD USE ONLY**



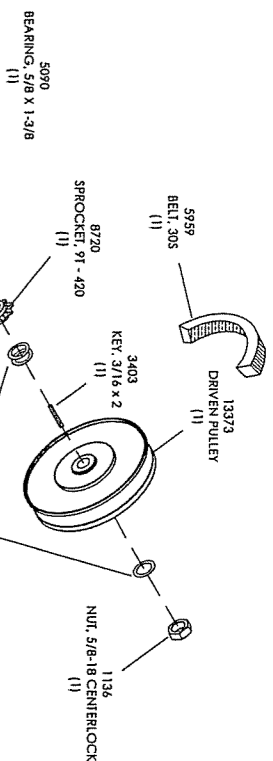
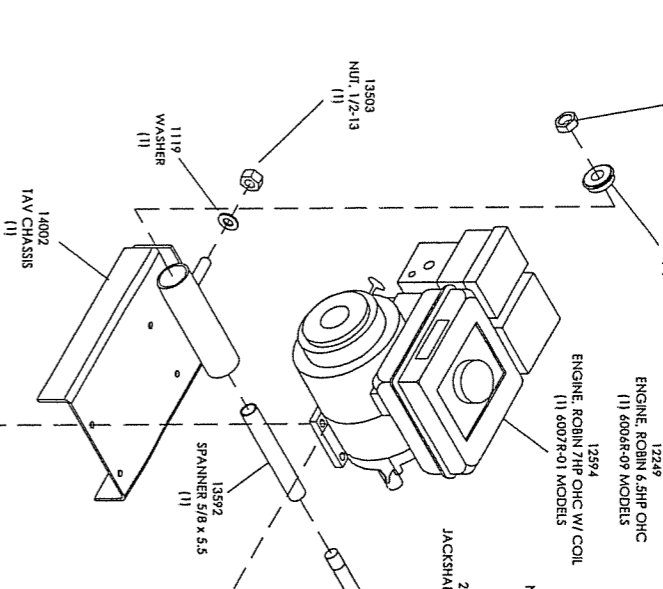
NOT ILLUSTRATED:
13954 REVERSE SHIFTER
13953 SHIFTER CABLE
14070 RUN LIGHT KIT (6007R-01 MODEL ONLY)

THROTTLE CABLE DETAIL

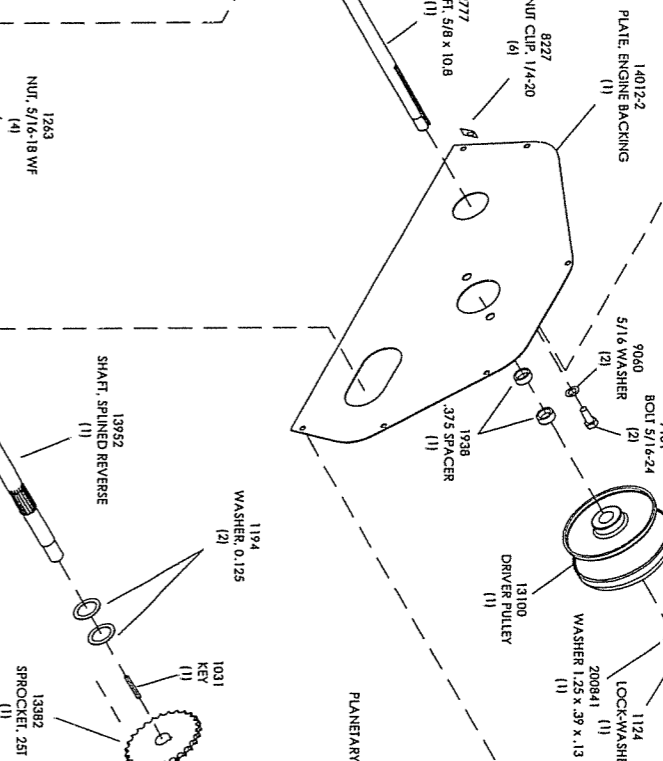


ENGINE BUILD
DETAIL

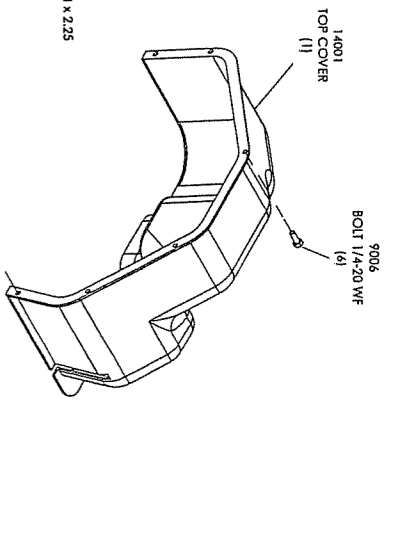
12347 SWIVEL SCREW
12348 RETURN SPRING
8251 THROTTLE CABLE



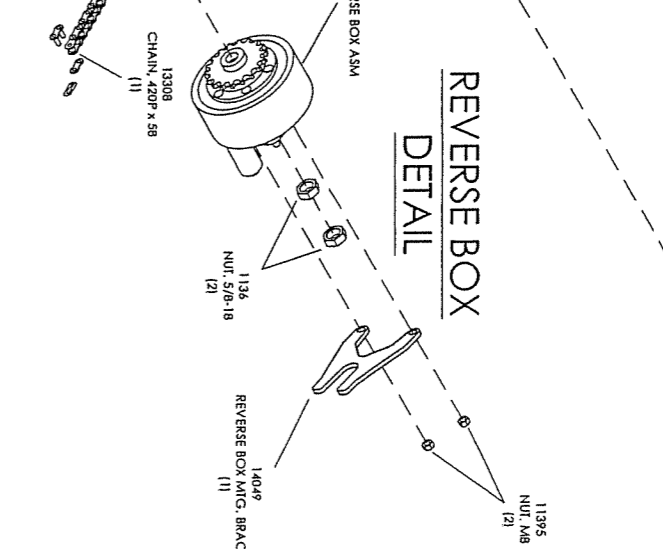
REVERSE BOX
DETAIL



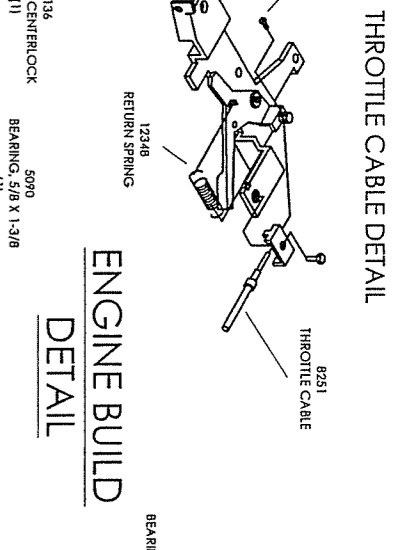
FRONT
SUSPENSION
DETAIL



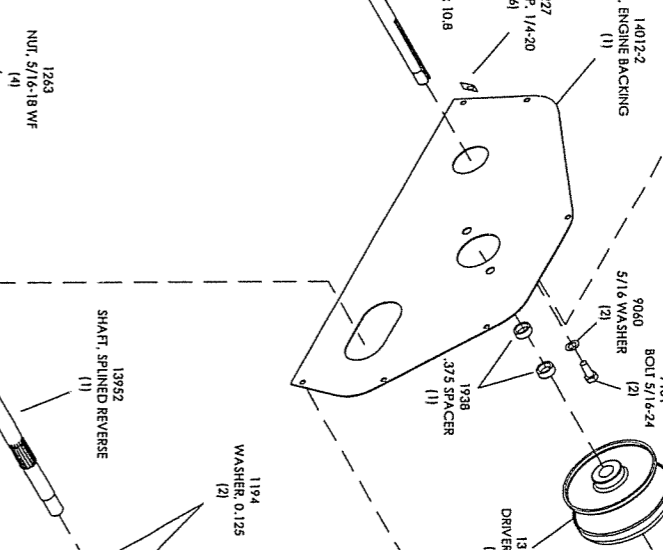
THROTTLE
PEDAL
DETAIL



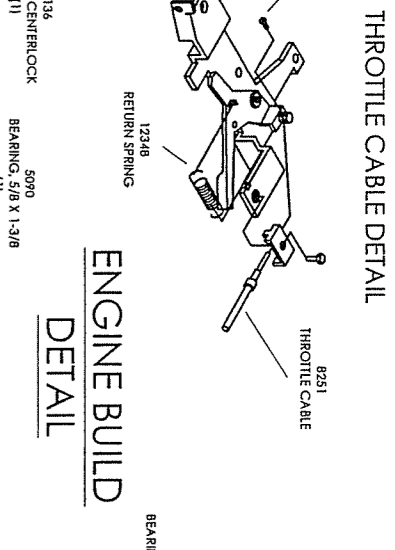
SWINGARM
DETAIL



BRAKE
PEDAL
DETAIL



STEERING
DETAIL



REAR
SUSPENSION
DETAIL

