

# Operator's Manual SUPPLEMENT

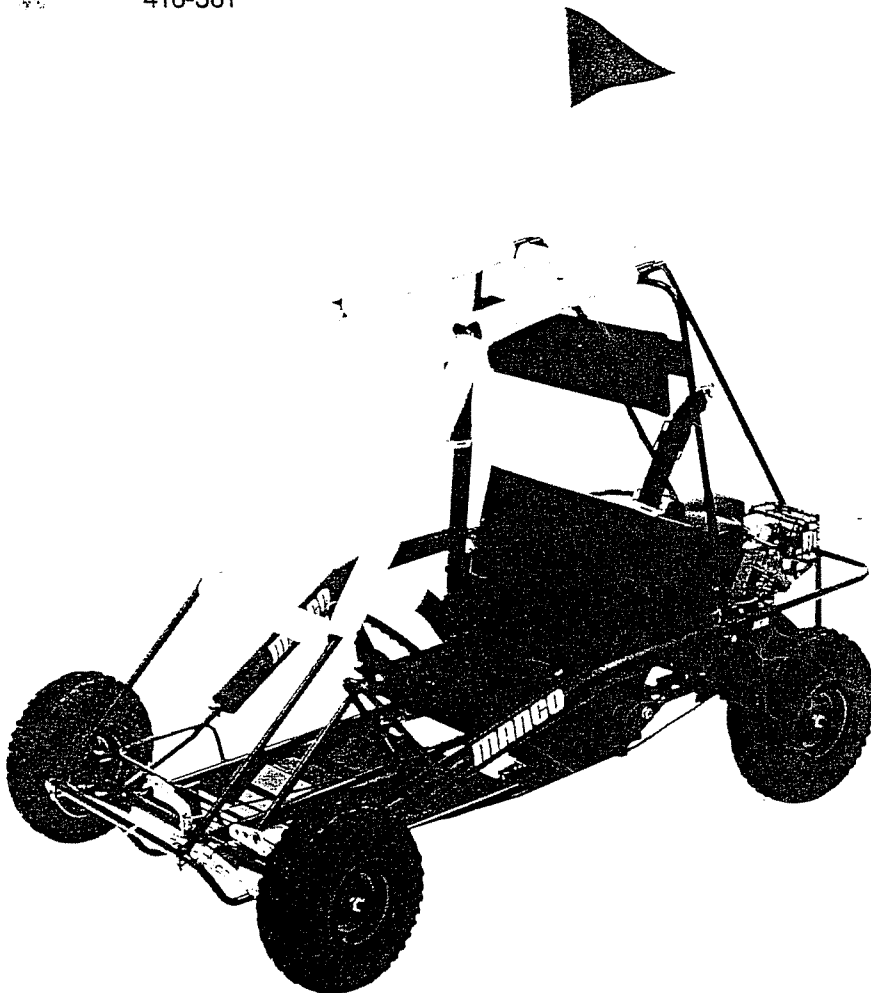
MANCO MODEL NO.

415-311

416-361

**WARNING:**  
Read Engine  
Owner's Manual,  
Vehicle Operator's  
Manual, and  
Supplement  
Carefully Before  
Operating  
Vehicle.

Parts List



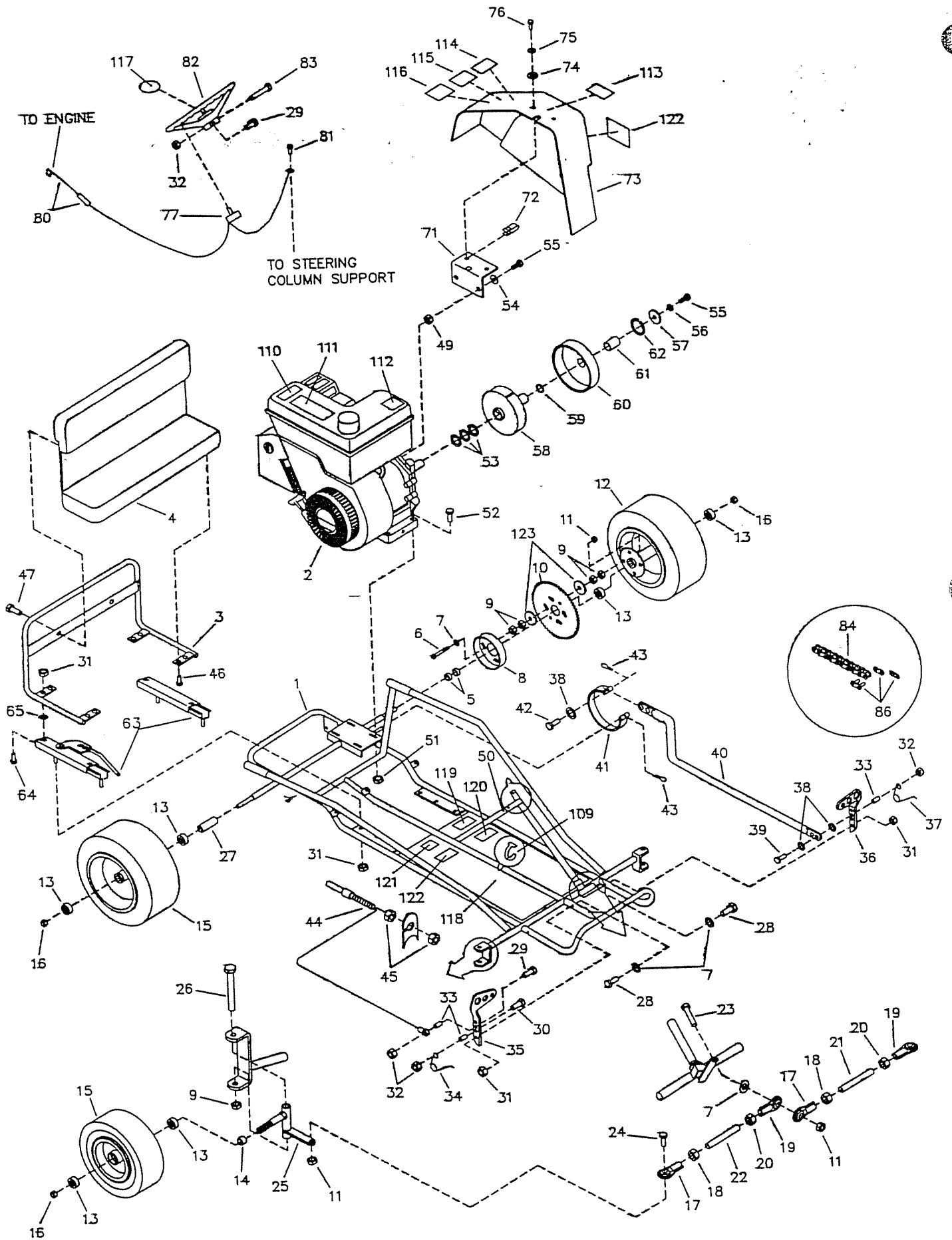
**MANCO**  
**PRODUCTS, INC.**

4404 Engle Ridge Drive Ft. Wayne, Indiana 46804 219-432-1596

**THIS VEHICLE IS FOR  
OFF-ROAD USE ONLY**

BEFORE OPERATING THIS VEHICLE, THE OWNER AND/OR OPERATOR MUST UNDERSTAND THE VEHICLE WAS NOT DESIGNED OR MANUFACTURED TO MEET SPECIFICATIONS FOR USE ON PUBLIC ROADS, STREETS, HIGHWAYS, OR THOROUGHFARES AND HAVE READ AND HAVE AN UNDERSTANDING OF ALL THE INSTRUCTIONS FOR SAFE ASSEMBLY AND OPERATION AS WELL AS THE INSTRUCTIONS GOVERNING THE ENGINE AND OTHER PORTIONS OF THE VEHICLE.

# REPAIR PARTS - MODELS 415-311, 416-361



REPAIR PARTS - MODELS 415-311, 416-361

REF NO.	PART NO.	DESCRIPTION	REF NO.	PART NO.	DESCRIPTION
1	8350-2	Frame, Black	48	---	
	8350-5	Frame, Red	49	2388	Nut, 3/8-24
2	9661C	Engine, 5hp Tecumseh	50	1463	Bushing, Insulating
	5533	Engine, 6hp Tecumseh	51	1263	Nut, 5/16-18 Whiz Flange
3	9968-2	Seat Frame	52	9186	Bolt, 5/16-18 x 1-1/2"
4	8370	Seat Back/Bottom	53	1194	Washer, 3/4 ID x 1/8"
5	1119	Spacer, 5/8 ID x 1/8"	54	9060	Washer, 5/16 Flat
ASM	8500	Drive Wheel Asm. (incl. REF 6-13)	55	8139	Bolt, 5/16-24 x 1"
6	9190	Bolt, 3/8-16 x 3-1/4"	56	1124	Washer, 5/16 Split Lock
7	9091	Washer, 3/8 Flat	57	1398	Washer, 21/64 ID x 1-1/4 OD x 1/8"
8	1246	Brake Drum	ASM	4335	Clutch Asm. (incl. REF 58-62)
9	1012	Nut, 1/2-13 Toplock	58	4496	Clutch Rotor
10	9986	Sprocket, 35P x 80T	59	3146	Washer, Fiber
11	9085	Nut, 3/8-16 Toplock	60	4491	Drum w/Sprocket (incl. REF 61)
12	8499B	Wheel Asm. 6" (incl. REF 13)	61	3143	Bushing
13	5090	Bearing	62	3141	Snap Ring
14	5157	Spacer, 5/8 ID x 7/5"	63	6734	Seat Slide (pair)
15	9309FP	Front Wheel Asm. 6" (incl. REF 13)	64	9990	Carriage Bolt, 5/16-18x5/8"
16	1046	Nut, 5/8-11 Toplock	65	9989	Washer, Plastic Retaining
ASM	4358	Tie Rod Asm. Short (incl. REF 17-21)	66	---	
ASM	9322	Tie Rod Asm. Long (incl. REF 17-20, 22)	67	---	
17	1414	Tie Rod End, RH Thread	68	---	
18	9092	Nut, 3/8-24 Jam RH Thread	69	---	
19	1415	Tie Rod End, LH Thread	70	---	
20	9024	Nut, 3/8-24 Jam LH Thread	71	3363-2	Mounting Bracket, Chainguard
21	4356	Tie Rod, Short	72	5135	Nut, Tinnerman
22	9321	Tie Rod, Long	73	3362	Chainguard
23	9145	Bolt, 3/8-16 x 1-3/4"	74	9104	Washer, #10 Flat
24	9146	Bolt, 3/8-16 x 1-1/2"	75	6039	Washer, #10 Lock
25	6257	Spindle, Right Side	76	6046	Screw, #10-24 x 1/2"
NI	6256	Spindle, Left Side	ASM	9799	Stop Switch Asm. (incl. REF 77-79)
26	1264	Bolt, 1/2-13 x 3-1/2"	77	1392	Stop Switch
27	2024	Spacer, 5/8 ID x 1-1/2"	78	1393	Ring Terminal
28	9110	Bolt, 3/8 x 7/8 Shldr., 5/16-18 x 5/8 Thd.	79	1394	Wire, 50" w/Splice Connector
29	9160	Bolt, 1/4-20 x 7/8" Nylock	80	1406	Wire w/ Blade Terminal
30	1847	Bolt, 1/4-20 x 1"	81	9796	Screw, 12-24 x 1/2" Self Tapping
31	1189	Nut, 5/16-18 Toplock	82	6038	Steering Wheel
32	9057	Nut, 1/4-20 Toplock	83	9080	Bolt, 1/4-20 x 2-3/4"
33	1389	Bushing	84	---	
34	9502	Spring, Left Wound	85	9978	Chain, #35 x 86P (incl. REF 86)
35	1437	Pedal, Throttle	86	1269	Masterlink, #35 Chain
36	1436	Pedal, Brake	87	8439-2	Front Bar
37	9503	Spring, Right Wound	88	8291-2	Center Bar
38	1854	Washer, #14 Flat	89	8292-2	Rear Upright
39	1848	Bolt, 1/4-20 x 1-1/4"	90	8353-19	Rear bar
40	8392-2	Brake Rod	91	8373	Seat Belt, Lap/Shoulder
41	1036	Brake Band w/Retainer	92	8374	Seat Belt, Retractor
42	9118	Clevis Pin	93	8375	Seat Belt, Plastic Sleeve
43	9116	Cotter Pin	94	8369	Headrest Pad (415-311)
44	8252	Throttle Cable w/Housing (incl. REF 45)		5376	Headrest Pad (416-361)
45	9058	Nut, 5/16-24 Jam	95	9759**	Foam, 30"
46	9189	Bolt, 1/4-20 x 7/8" Whiz Flange	96	8368**	Foam, 24"
47	1876	Bolt, 1/4-20 x 5/8" Whiz Flange	97	8367**	Foam, 15.5"
			98	8366**	Foam, 12.5"

REPAIR PARTS - MODELS 415-311, 416-361

REF NO.	PART NO.	DESCRIPTION
99		
100	1018	Cable Stop
101	9188	Bolt, 1/2-13 x 1-1/4"
102	9022	Washer, 1/2 Flat
103	2386	Bolt, 3/8-16 x 3-1/2"
104	9006	Bolt, 1/4-20 x 1/2"
105	1849	Bolt, 1/4-20 x 1-1/2"
106	2264	Bolt, 5/16-18 x 3/4"
107	6540	Decal, Warning: Wear Helmet
108	9679	Decal, Warning: No Riders Allowed
109	1019	Ty-Wrap
110	9677	Decal, Warning: Hot Surfaces
111	9678	Decal, Warning: Engine Exhaust
112	5964	Decal, Warning: Engine Oil
113	6791	Decal, Oil Clutch Here
114	9373	Decal, Tire Pressure
115	4912	Decal, Warning: Guard Must Be...

REF NO.	PART NO.	DESCRIPTION
116	1049	Decal, Caution: Drive Cover
117	3296	Decal, Steering Wheel (415-311)
	9498	Decal, Steering Wheel (416-361)
118	4341	Decal, Floor Pan (415-311)
	5375	Decal, Floor Pan (416-361)
119	4504	Decal, Yellow Warning
120	8399	Decal, Warning: Seat Belt
121	8381	Decal, Made in America
122	8138	Decal, Warning: Entanglement
123	8186	Washer, .391 ID x 1-1/4 OD x 1/8"
124	8445	Safety Flag with Bracket (415-311)
	5377	Safety Flag with Bracket (416-361)
NI	4350/S	Operator's Manual English/Spanish
NI	9292R1/S	Assembly Instructions
NI	2684D	Engine Operator's Manual
NI	5378	Wheel Covers 6in Black (416-361 only)

ASM = Assembly  
 NI = Not Illustrated  
 \*\* = Specify Color

