

# Operator's Manual SUPPLEMENT

MANCO MODEL NO.  
390-03

**WARNING:**  
Read Engine  
Owner's Manual,  
Vehicle Operator's  
Manual, and  
Supplement  
Carefully Before  
Operating  
Vehicle.

Parts List



**MANCO**  
**PRODUCTS, INC.**

4404 Engle Ridge Drive Ft. Wayne, Indiana 46804 219-432-1596

**THIS VEHICLE IS FOR  
OFF-ROAD USE ONLY**

BEFORE OPERATING THIS VEHICLE, THE OWNER AND/OR OPERATOR MUST UNDERSTAND THE VEHICLE WAS NOT DESIGNED OR MANUFACTURED TO MEET SPECIFICATIONS FOR USE ON PUBLIC ROADS, STREETS, HIGHWAYS, OR THOROUGHFARES AND HAVE READ AND HAVE AN UNDERSTANDING OF ALL THE INSTRUCTIONS FOR SAFE ASSEMBLY AND OPERATION AS WELL AS THE INSTRUCTIONS GOVERNING THE ENGINE AND OTHER PORTIONS OF THE VEHICLE.

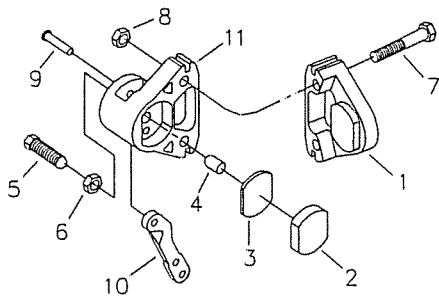


# REPAIR PARTS - 390-03

REF. NO.	PART NO.	DESCRIPTION	REF. NO.	PART NO.	DESCRIPTION
	10401-2	Frame - Black	67	1557H	Wheel Hub w/Studs
2	10410	Engine, 10HP Tecumseh	68	---	
3	5557	Seat Bottom	69	4660	Spacer, 1" ID x 4-7/16"
4	8748	Seat Back	70	K388-38	Axle Guard Repair Kit
5	9343	Chain, 420 x 72 Links (incl. 6)	71	6573	Bolt, 5/16-18 x 1-3/4"
6	2037	Master Link, 420 Chain	72	6617	Bearing Flange
7	8711-2	Center Bar	73	3941H	Bearing, 1" ID
8	8702-2	Rear Bar	74	8223H	Axle Shaft
9	6320	Headrest	<b>ASM</b>	6420H	Sprocket Asm. (incl. 75-78)
10	8714-2	Overhead Bar	75	9006	Bolt, 1/4-20 x 1/2" Flanged Whiz
11	8710-2	Front Bar	76	6282	Sprocket, 420 x 54 Teeth
12	1854	Washer, No. 14 Flat	77	6701	Bolt, 5/16 x 1-1/4" Socket Head
13	1849	Bolt, 1/4-20 x 1-1/2"	78	6280H	Sprocket Hub
14	6452	Bolt, 3/8-16 x 5"	79	---	
15	9085	Nut, 3/8-16 Toplock	80	---	
16	2386	Bolt, 3/8-16 x 3-1/2"	81	6314H	Brake Rotor
17	5839	Bolt, 1/4-20 x 3/4" Flanged Whiz	82	2265	Spacer, 1" ID x 3/4"
18	9176	Bolt, 5/16-18 x 1"	83	1263	Nut, 5/16-18 Flanged Whiz
19	9145	Bolt, 3/8-16 x 1-3/4"	84	9674	Spacer, 3/8 ID x 3/8"
<b>ASM</b>	6430	Tie Rod Asm. (incl. 20-24)	85	8197	Brake Caliper Asm.
20	6431	Tie Rod	86	6497	Arm Pad Cover
21	9092	Nut, 3/8-24 RH Jam	87	8726GY	Foam, 26" Gray
22	1414	Rod End - RH	88	8730	Plastic Hose Clamp, 1-1/4" ID
23	9024	Nut, 3/8-24 LH Jam	89	8731B	Foam, 10" Black
24	1415	Rod End - LH	90	8725B	Foam, 37" Black
25	9146	Bolt, 3/8-16 x 1-1/2"	91	10402-2	Seat Frame
26	6038	Steering Wheel	92	6734	Seat Slide - pair
27	9080	Bolt, 1/4-20 x 2-3/4"	93	8373	Seat Belt Shoulder / Lap
28	9160	Bolt, 1/4-20 x 7/8" Nylock	94	9188	Bolt, 1/2-13 x 1-1/2"
29	10459	Stop Switch / Headlight Harness Asm	95	9060	Washer, 5/16" Flat
30	9172	Bolt, 3/8 x 1/4 Shoulder	96	---	
31	6441	Washer, 3/8 ID Spring	97	6880	End Cap
32	6440	Nut, 5/16-18 Jam	98	10572	Headlight Asm
33	6773-2	Parking Brake Handle	99	---	
34	6442	Brake Handle Cover	100	---	
35	9057	Nut, 1/4-20 Toplock	101	---	
36	8215-2	Rear Brake Rod	102	---	
37	8715-2	Front Brake Rod	103	---	
38	9869	Spacer, 1/4 ID x 5/16 OD x 5/8"	104	---	
39	9502	Spring, Left Wound	105	---	
40	1436	Pedal, Brake	106	---	
41	1847	Bolt, 1/4-20 x 1"	107	---	
42	1189	Nut, 5/16-18 Toplock	108	---	
43	9091	Washer, 3/8 Flat	109	---	
44	1447	Pedal Bolt	110	---	
45	---		111	---	
46	10489-2	Front Plate - Black	<b>NI</b>	9677	Decal, Warning: Hot Surfaces (on engine)
47	5682	Bolt, 1/2-13 x 5-1/2"	<b>NI</b>	9678	Decal, Warning: Engine Exhaust (on engine)
48	9022	Washer, 1/2 Flat	<b>NI</b>	5964	Decal, Oil Warning (on engine)
49	1012	Nut, 1/2-13 Toplock	112	6540	Decal, Warning: Wear Helmet
50	2457	Spindle, Right	113	1689	Decal, Steering Wheel
<b>NI</b>	2458	Spindle, Left	114	2873	Decal, Trailer Load
51	5157	Spacer, 5/8 ID x 3/4"	115	8138	Decal, Warning: Entanglement
52	1437	Pedal, Throttle	116	4504	Decal, Yellow Warning
53	1389	Bushing, 1/4 ID x 5/16"	117	2832	Decal, No Passengers
54	9503	Spring, Right Wound	118	8153	Decal, Age Restriction
55	9345	Throttle Cable	119	1441	Decal, Front Floor Pan
56	5090	Bearing, 5/8 ID	120	1688	Decal, Front Plate
57	5950	Spanner, 5/8 ID x 2-1/8"	121	9834-2	Steering Crank Weldment
58	9309FP	Wheel Assembly, Front	122	9873	Cam Follower Bearing
59	1046	Nut, 5/8-11 Toplock	123	9872	Washer, 1/4 Flat
60	3802	Inner Tube, 6"	124	9871	Shoulder Bolt, 1/2 x 3"
61	4915	Tire, 145/70 x 6 Knobby	125	9709	Compression Spring
62	9162	Nut, 3/4-10 Toplock	126	6605	Decal, Pan
<b>ASM</b>	1412	Wheel Asm, Rear (incl. 63-65)	<b>NI</b>	9247R4	Assembly Instructions
63	1452	Tire, 22 x 11 - 8 Tubeless	<b>NI</b>	6477	Dingo Operator's Manual
64	1430	Inner Tube, 8" (Repair Part Only)	<b>NI</b>	8220	Tecumseh Engine Manual
65	1451	Wheel Rim, 8"			
66	1428	Nut, 1/2-13 Cone Wheel			

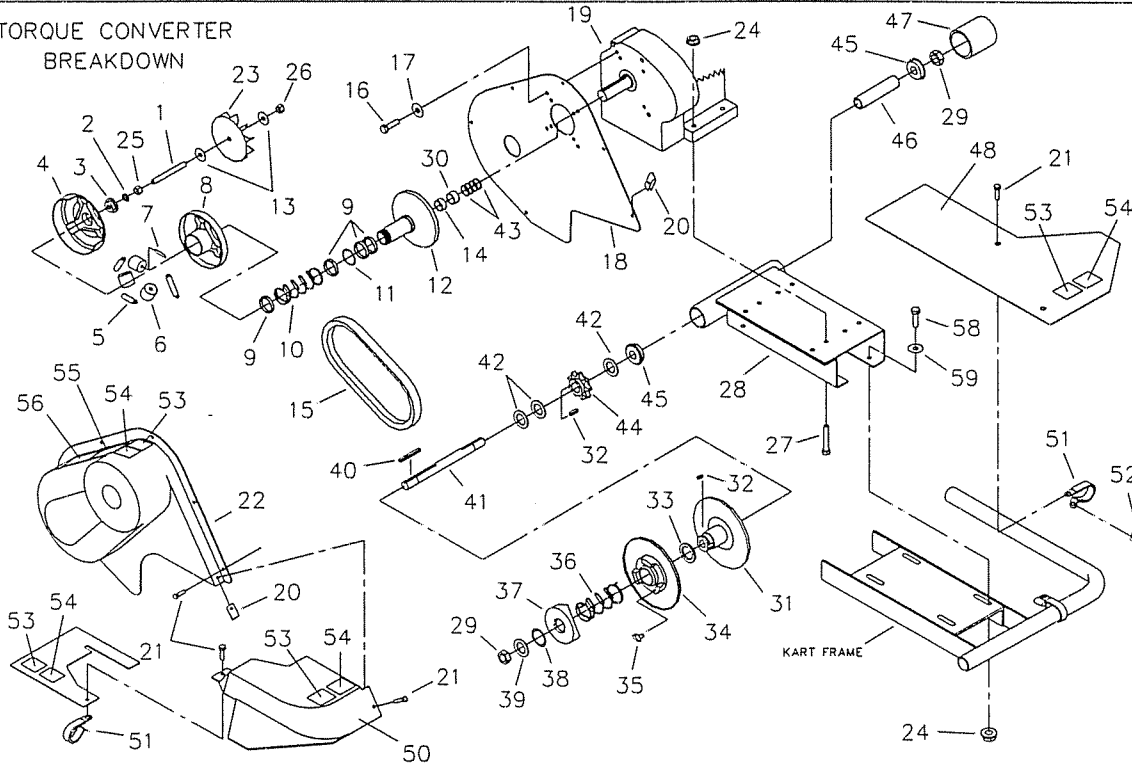
**ASM** = Assembly  
**NI** = Not Illustrated

CALIPER BREAKDOWN



REF. NO	PART NO	DESCRIPTION
ASM	8197	Brake Caliper (incl. 1-11)
ASM	9810	Brake Pad Svc Kit (incl. 1-3)
1	*	Anvil w/Lining
2	*	Brake Lining
3	3928	Backing Plate
4	3930	Actuator Pin
5	3931	Adjuster Pin
6	3932	Nut, Jam
7	9158	Bolt, 3/8-16 x 2-1/4"
8	9085	Nut, 3/8-16 Toplock
ASM	6534	MB-1 Service Kit (incl. 9-11)
9	*	Groove Pin
10	*	Lever
11	*	Brake Housing

TORQUE CONVERTER BREAKDOWN



REF. NO	PART NO	DESCRIPTION	REF. NO	PART NO	DESCRIPTION	REF. NO	PART NO	DESCRIPTION
1	8689	Stud, 3/8-24 x 4-1/4"	23	8600	Impeller	45	5090	Bearing
2	1130	Washer, 3/8 Split Lock	24	1263	Nut, 5/16-18 Flange	46	2430	Spanner
3	2468	Washer, Pilot	25	2388	Nut, 3/8-24 Hex	47	8194	Cap, Plastic
ASM	2594	Driver Pulley Assembly (incl. REF. 4-12)	26	9123	Nut, 3/8-24 Toplock Hex	48	8878	Right Deck Cover
4	*	Cover and Drive Plate	27	9186	Bolt, 5/16-18 x 1-1/2"	49	8924	Left Deck Cover
5	2472	Extension Spring	28	8908	Chassis	50	8921	Caliper Cover - Left
6	2470	Cam Roller	29	9155	Nut, 5/8-11 Jam	51	8266	Loop Clip
7	2471	Spring Clip	30	4914	Spacer, 1" ID x 9/16	52	8227	Clip Nut
8	*	Moveable Face and Hub	ASM	8664	Driven Pulley Assembly (incl. REF. 31-39)	53	1049	Decal, Caution
9	2474	Guide Bushing	31	*	Fixed Face and Post	54	4912	Decal, Warning: Guard
10	2475	Compression Spring	32	1031	Key, 3/16sq x 1/2"	55	8138	Decal, Warning: Long Hair
11	*	Retaining Ring	33	2483	Spacer	56	6958	Decal, Tire Pressure
12	*	Fixed Face and Post	34	*	Moveable Face and Cam	57	---	---
13	9125	Washer, 3/8 Flat	35	2516	Button Insert	58	9176	Bolt, 5/16-18 x 1"
14	1082	Spacer, 1" ID x 7/16	36	2480	Torsion Spring	59	9030	Washer, 5/16 Int. Lock
15	6814	Belt, Symmetrical	37	*	Fixed Cam	NI	9677	Decal, Warning: Hot Surfaces
16	9101	Bolt, 5/16-24 x 3/4"	38	2478	Thrust Washer	NI	9678	Decal, Warning: Eng. Exhaust
17	9060	Washer, 5/16 Plain	39	2477	Retaining Ring	NI	5964	Decal, Oil Warning
18	8745	Cover Panel	40	3403	Key, 3/16sq x 2"			
19	10410	Engine, 10HP Tecumseh	41	8854	Jackshaft, 13.69"			
20	2449	Nut, Tinnerman	42	1119	Spacer, 5/8ID x 1/8"			
21	9006	Bolt, 1/4-20 x 1/2" Whiz	43	3887	Spacer, 1" ID x 1/16			
22	8739	Cover Assembly	44	1125S	Sprocket, 9T #420			

\* = Not Available Separately  
 ASM = Assembly NI = Not Illustrated