

# Operator's Manual SUPPLEMENT

MANCO MODEL NO.  
390-01

**WARNING:**  
Read Engine  
Owner's Manual,  
Vehicle Operator's  
Manual, and  
Supplement  
Carefully Before  
Operating  
Vehicle.

Parts List

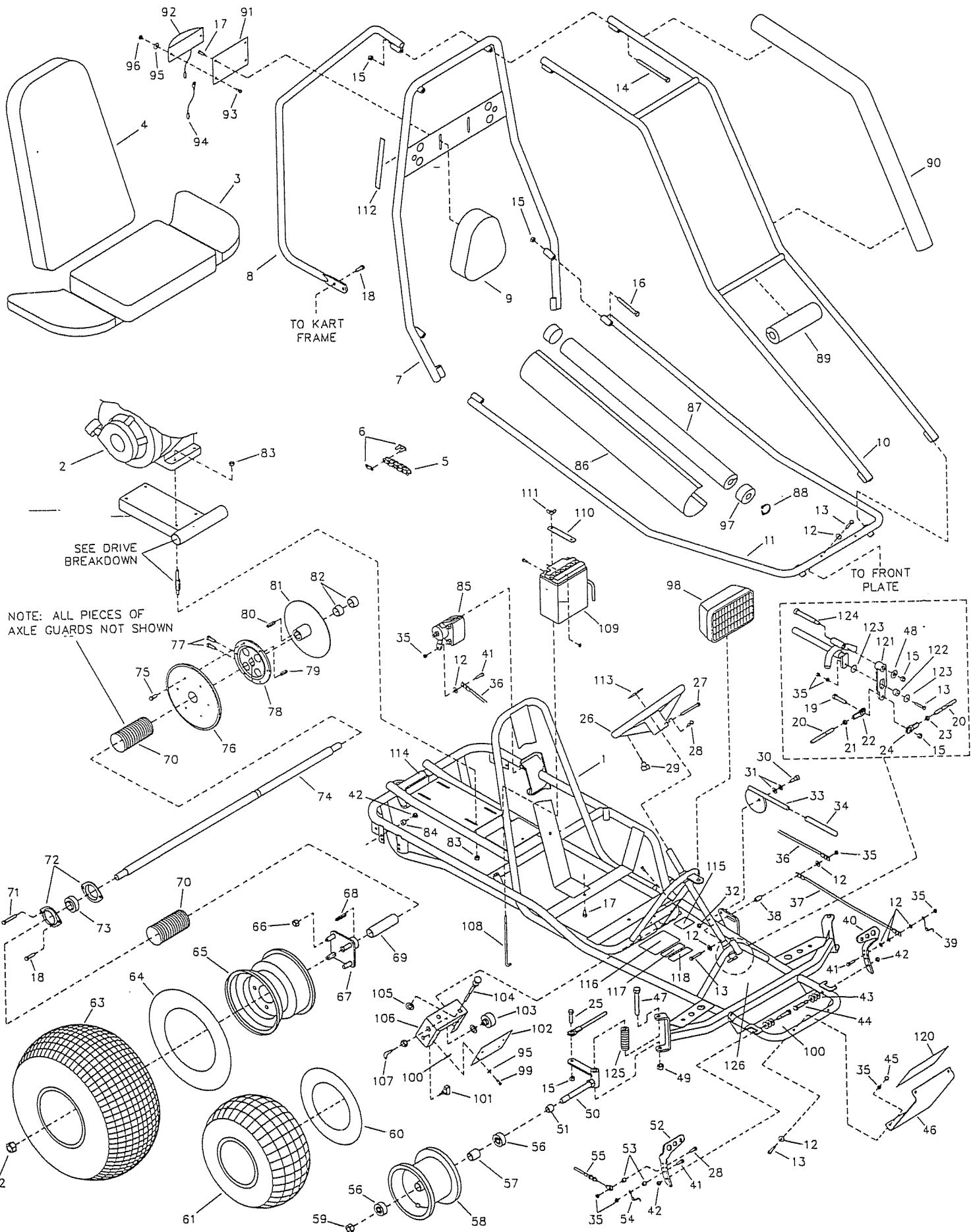


**MANCO**  
**PRODUCTS, INC.**

4404 Engle Ridge Drive Ft. Wayne, Indiana 46804 219-432-1596

**THIS VEHICLE IS FOR  
OFF-ROAD USE ONLY**

BEFORE OPERATING THIS VEHICLE, THE OWNER AND/OR OPERATOR MUST UNDERSTAND THE VEHICLE WAS NOT DESIGNED OR MANUFACTURED TO MEET SPECIFICATIONS FOR USE ON PUBLIC ROADS, STREETS, HIGHWAYS, OR THOROUGHFARES AND HAVE READ AND HAVE AN UNDERSTANDING OF ALL THE INSTRUCTIONS FOR SAFE ASSEMBLY AND OPERATION AS WELL AS THE INSTRUCTIONS GOVERNING THE ENGINE AND OTHER PORTIONS OF THE VEHICLE.

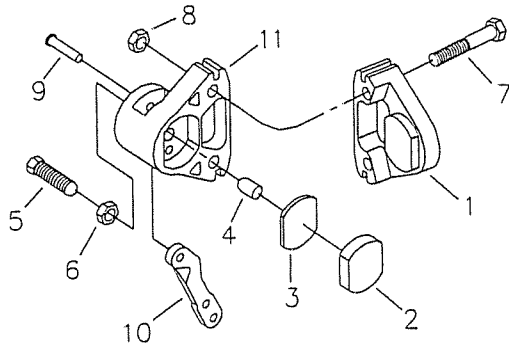


## REPAIR PARTS - 390-01

REF. NO.	PART NO.	DESCRIPTION	REF. NO.	PART NO.	DESCRIPTION
1	8694-2	Frame - Black	69	4660	Spacer, 1" ID x 4-7/16"
2	8189	Engine, 10HP Tecumseh	70	K390-01	Axle Guard Repair Kit
3	5160	Seat Bottom	71	6573	Bolt, 5/16-18 x 1-3/4"
4	8748	Seat Back	72	6617	Bearing Flange
5	9343	Chain, 420 x 72 Links (incl. 6)	73	3941	Bearing, 1" ID
6	2037	Master Link, 420 Chain	74	8223H	Axle Shaft
7	9522-2	Center Bar	ASM	6420	Sprocket Asm. (incl. 75-78)
8	9527-2	Rear Bar	75	9006	Bolt, 1/4-20 x 1/2" Flanged Whiz
9	6320	Headrest	76	6282	Sprocket, 420 x 54 Teeth
10	9525-2	Overhead Bar	77	6701	Bolt, 5/16 x 1-1/4" Socket Head
11	9524-2	Front Bar	78	6280	Sprocket Hub
12	1854	Washer, No. 14 Flat	79	9680	Key, 1/4 x 3/8 x 1-1/4"
13	1849	Bolt, 1/4-20 x 1-1/2"	80	1775	Key, 1/4 sq. x 1-1/4"
14	6452	Bolt, 3/8-16 x 5"	81	6314H	Brake Rotor
15	9085	Nut, 3/8-16 Toplock	82	2265	Spacer, 1" ID x 3/4"
16	2386	Bolt, 3/8-16 x 3-1/2"	83	1263	Nut, 5/16-18 Flanged Whiz
17	5839	Bolt, 1/4-20 x 3/4" Flanged Whiz	84	9674	Spacer, 3/8 ID x 3/8"
18	9176	Bolt, 5/16-18 x 1"	85	8197	Brake Caliper Asm.
19	9145	Bolt, 3/8-16 x 1-3/4"	86	6497	Arm Pad Cover
ASM	6430	Tie Rod Asm. (incl. 20-24)	87	6524	Foam, 26" Black
20	6431	Tie Rod	88	9777	Plastic Hose Clamp, 7/8" ID
21	9092	Nut, 3/8-24 RH Jam	89	9808B	Foam, 10" Black
22	1414	Rod End - RH	90	9758B	Foam, 43" Black
23	9024	Nut, 3/8-24 LH Jam	91	6305-2	Tail Light Bracket
24	1415	Rod End - LH	92	6508	Tail Light Assembly
25	9146	Bolt, 3/8-16 x 1-1/2"	93	9106	Bolt, #10-32 x 1/2"
26	6038	Steering Wheel	94	6319	Tail Light Ground Wire
27	9080	Bolt, 1/4-20 x 2-3/4"	95	6039	Washer, #10 Internal Lock
28	9160	Bolt, 1/4-20 x 7/8" Nylock	96	6193	Nut, #10-32 Acorn
29	9799	Stop Switch Assembly	97	6383	End Cap
30	9172	Bolt, 3/8 x 1/4 Shoulder	98	6364	Headlight Assembly
31	6441	Washer, 3/8 ID Spring	99	6046	Bolt, #10-24 x 1/2"
32	6440	Nut, 5/16-18 Jam	100	5135	Nut, #10 Tinnerman
33	6773-2	Parking Brake Handle	101	6391	Light Switch Assembly
34	6442	Brake Handle Cover	102	9528-2	Cover Plate
35	9057	Nut, 1/4-20 Toplock	103	6344	Start Switch w/Key
36	8215-2	Rear Brake Rod	104	6313	Choke Cable
37	8715-2	Front Brake Rod	105	6353	Washer, Square Hole
38	9869	Spacer, 1/4 ID x 5/16 OD x 5/8"	106	6296-2	Control Box
39	9502	Spring, Left Wound	107	2290	Ignition Key
40	1436	Pedal, Brake	108	9430	Battery Hold Down Rod
41	1847	Bolt, 1/4-20 x 1"	109	3633	Battery
42	1189	Nut, 5/16-18 Toplock	110	9642-2	Battery Clamp Bar
43	9091	Washer, 3/8 Flat	111	9468	Nut, #10-32 Nylock Wing
44	1447	Pedal Bolt	NI	9677	Decal, Warning: Hot Surfaces (on engine)
45	1443	Nut, 1/4-20 Acorn	NI	9678	Decal, Warning: Engine Exhaust (on engine)
46	6395-2	Front Plate - Black	NI	5964	Decal, Oil Warning (on engine)
47	5682	Bolt, 1/2-13 x 5-1/2"	112	6540	Decal, Warning: Wear Helmet
48	9022	Washer, 1/2 Flat	113	1689	Decal, Steering Wheel
49	1012	Nut, 1/2-13 Toplock	114	2873	Decal, Trailer Load
50	2457	Spindle, Right	115	8138	Decal, Warning: Entanglement
NI	2458	Spindle, Left	116	4504	Decal, Yellow Warning
51	5157	Spacer, 5/8 ID x 3/4"	117	2832	Decal, No Passengers
52	1437	Pedal, Throttle	118	8153	Decal, Age Restriction
53	1389	Bushing, 1/4 ID x 5/16"	119	1441	Decal, Front Floor Pan
54	9503	Spring, Right Wound	120	6604FP	Decal, Front Plate
55	9345	Throttle Cable	121	9834-2	Steering Crank Weldment
56	5090	Bearing, 5/8 ID	122	9873	Cam Follower Bearing
57	5950	Spanner, 5/8 ID x 2-1/8"	123	9872	Washer, 1/4 Flat
58	9309FP	Wheel Assembly, Front	124	9871	Shoulder Bolt, 1/2 x 3"
59	1046	Nut, 5/8-11 Toplock	125	9709	Compression Spring
60	3802	Inner Tube, 6"	126	6605	Decal, Floor Pan
61	4915	Tire, 145/70 x 6 Knobby	NI	9247R4	Assembly Instructions
62	9162	Nut, 3/4-10 Toplock	NI	6477	Dingo Operator's Manual
ASM	1412	Wheel Asm, Rear (incl. 63-65)	NI	8220	Tecumseh Engine Manual
63	1452	Tire, 22 x 11 - 8 Tubeless			
64	1430	Inner Tube, 8" (Repair Part Only)			
65	1451	Wheel Rim, 8"			
66	1428	Nut, 1/2-13 Cone Wheel			
67	1557	Wheel Hub w/Studs			
68	6123	Key, 1/4 sq. x 1-3/4"			

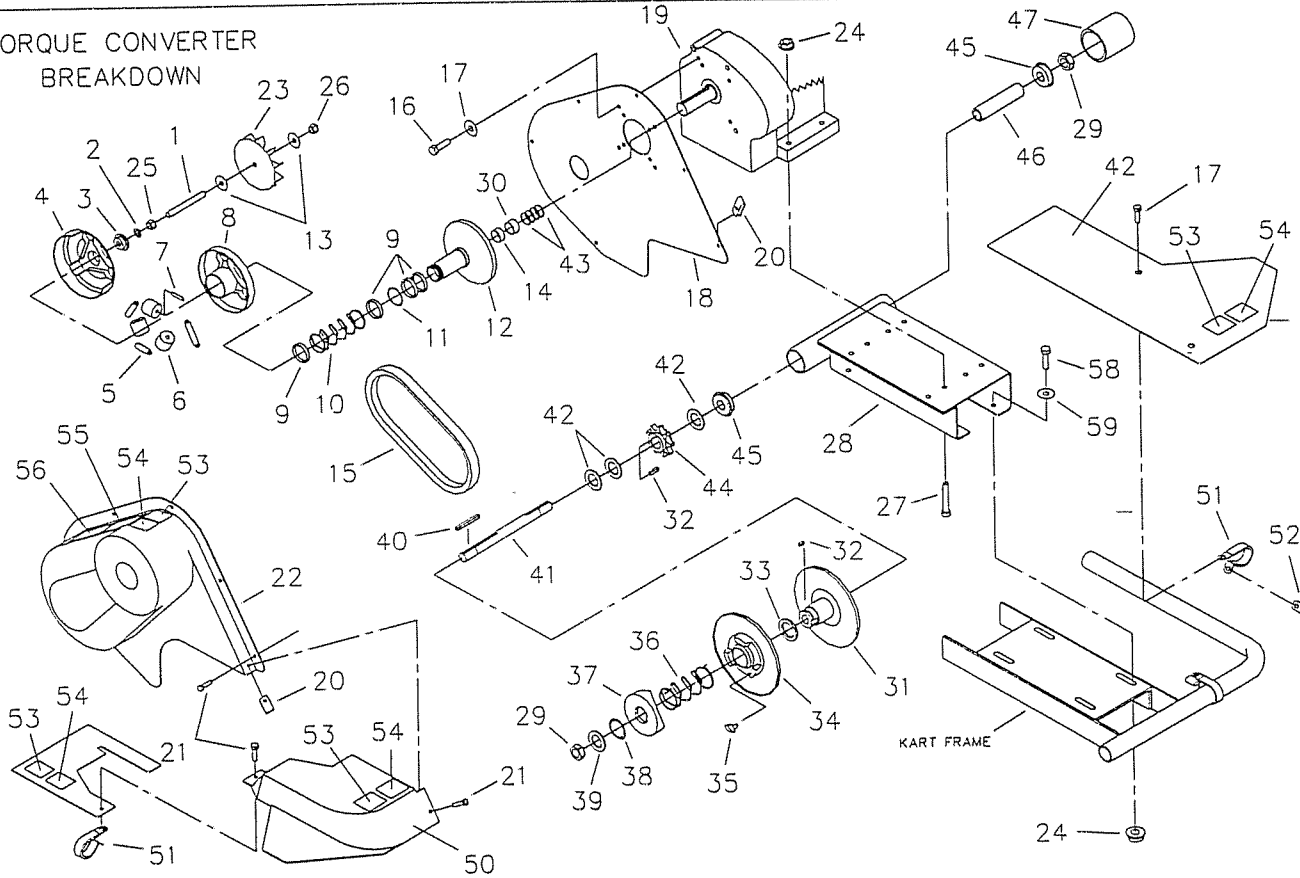
ASM = Assembly  
NI = Not Illustrated

### CALIPER BREAKDOWN



REF. NO	PART NO	DESCRIPTION
ASM	8197	Brake Caliper (incl. 1-11)
ASM	9810	Brake Pad Svc Kit (incl. 1-3)
1	*	Anvil w/Lining
2	*	Brake Lining
3	3928	Backing Plate
4	3930	Actuator Pin
5	3931	Adjuster Pin
6	3932	Nut, Jam
7	9158	Bolt, 3/8-16 x 2-1/4"
8	9085	Nut, 3/8-16 Toplock
ASM	6534	MB-1 Service Kit (incl. 9-11)
9	*	Groove Pin
10	*	Lever
11	*	Brake Housing

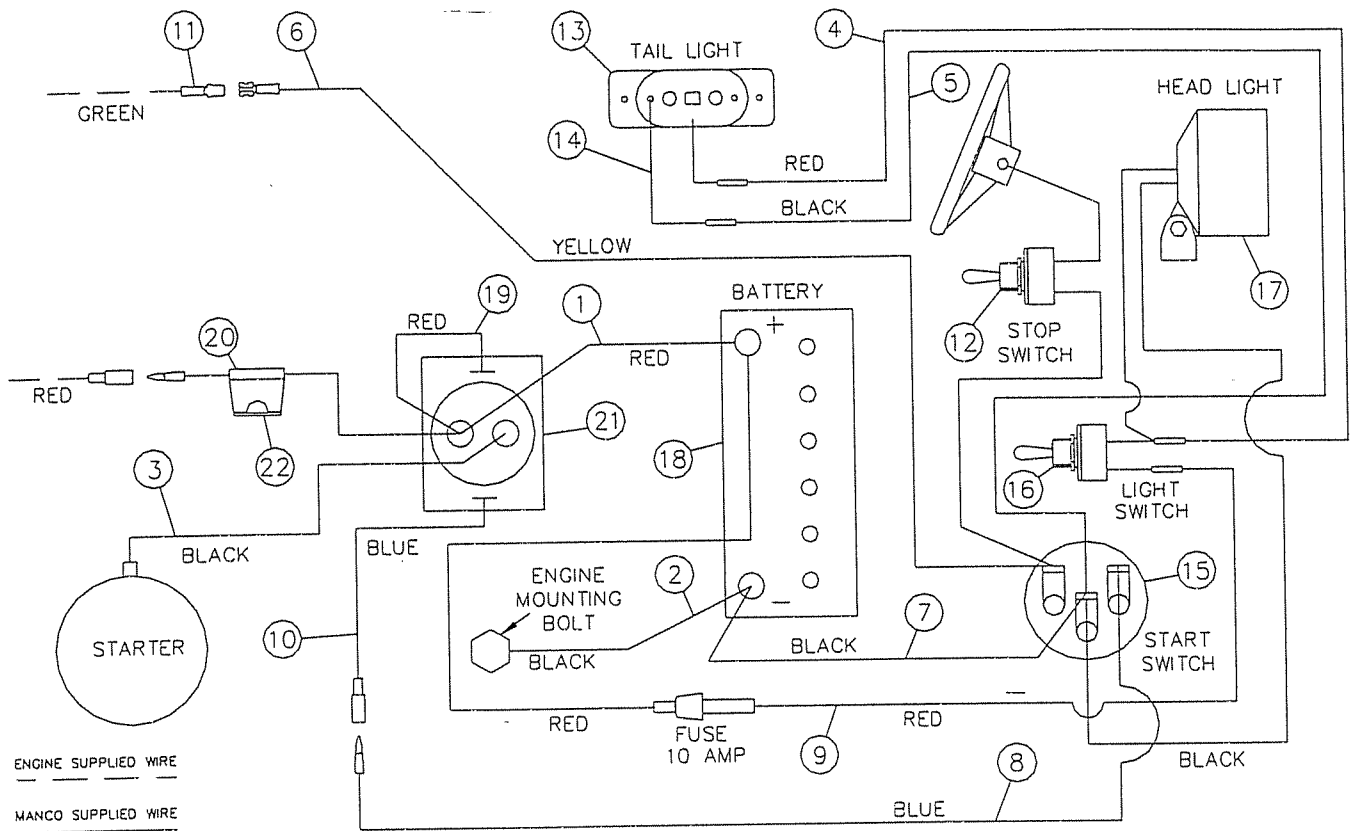
### TORQUE CONVERTER BREAKDOWN



REF. NO	PART NO	DESCRIPTION	REF. NO	PART NO	DESCRIPTION	REF. NO	PART NO	DESCRIPTION
1	8689	Stud, 3/8-24 x 4-1/4"	23	8600	Impeller	45	5090	Bearing
2	1130	Washer, 3/8 Split Lock	24	1263	Nut, 5/16-18 Flange	46	2430	Spanner
3	2468	Washer, Pilot	25	2388	Nut, 3/8-24 Hex	47	8194	Cap, Plastic
ASM	2594	Driver Pulley Assembly (incl. REF. 4-12)	26	9123	Nut, 3/8-24 Toplock Hex	48	8443	Right Deck Cover
4	*	Cover and Drive Plate	27	9186	Bolt, 5/16-18 x 1-1/2"	49	8924	Left Deck Cover
5	2472	Extension Spring	28	8908	Chassis	50	8923	Caliper Cover - Left
6	2470	Cam Roller	29	9155	Nut, 5/8-11 Jam	51	8266	Loop Clip
7	2471	Spring Clip	30	4914	Spacer, 1" ID x 9/16	52	8227	Clip Nut
8	*	Moveable Face and Hub	ASM	8664	Driven Pulley Assembly (incl. REF. 31-39)	53	1049	Decal, Caution
9	2474	Guide Bushing	31	*	Fixed Face and Post	54	4912	Decal, Warning: Guard
10	2475	Compression Spring	32	1031	Key, 3/16sq x 1/2"	55	8138	Decal, Warning: Long Hair
11	*	Retaining Ring	33	2483	Spacer	56	6958	Decal, Tire Pressure
12	*	Fixed Face and Post	34	*	Moveable Face and Cam	57	8441	Caliper Cover - Right
13	9125	Washer, 3/8 Flat	35	2516	Button Insert	58	9176	Bolt, 5/16-18 x 1"
14	1082	Spacer, 1" ID x 7/16	36	2480	Torsion Spring	59	9030	Washer, 5/16 Int. Lock
15	6814	Belt, Symmetrical	37	*	Fixed Cam	NI	9677	Decal, Warning: Hot Surfaces
16	9101	Bolt, 5/16-24 x 3/4"	38	2478	Thrust Washer	NI	9678	Decal, Warning: Eng. Exhaust
17	9060	Washer, 5/16 Plain	39	2477	Retaining Ring	NI	5964	Decal, Oil Warning
18	8745	Cover Panel	40	3403	Key, 3/16sq x 2"			
19	8189C	Engine, 10HP Tecumseh	41	8854	Jackshaft, 13.69"			
20	2449	Nut, Tinnerman	42	1119	Spacer, 5/8ID x 1/8"			
21	9006	Bolt, 1/4-20 x 1/2" Whiz	43	3887	Spacer, 1" ID x 1/16			
22	8739	Cover Assembly	44	1125S	Sprocket, 9T #420			

\* = Not Available Separately  
 ASM = Assembly NI = Not Illustrated

# WIRING DIAGRAM



REF NO.	PART NO.	DESCRIPTION
1	3611	Battery Cable, Red 9 in.
2	3610	Battery Cable, Black 9 in.
3	6516	Battery Cable, Black 9 in.
<b>ASM</b>	<b>9376P</b>	<b>Wiring Harness (incl. 4-9)</b>
4	9379	Wire, Taillight/Light Switch (Red)
5	9381	Wire, Taillight/Switch (Black)
6	9383	Wire, Engine/Switch (Yellow)
7	6386	Wire, Batt Gnd/Switch (Black)
8	9385	Wire, Solenoid/Switch (Blue)
9	9377	Wire, Solenoid/Light Switch (Red)
10	8281	Start Wire Adapter
11	8108	1/4" Male Tab Terminal
<b>NI</b>	<b>6505</b>	<b>Poly Loom 43"</b>
<b>NI</b>	<b>6897</b>	<b>Poly Loom 28"</b>
<b>NI</b>	<b>6763</b>	<b>Poly Loom "Tee"</b>
<b>NI</b>	<b>6813</b>	<b>Poly Loom "Outlet"</b>
12	6394	Stop Switch Assembly

REF NO.	PART NO.	DESCRIPTION
13	6508	Tail Light Assembly
14	6319	Wire, Taillight Ground
15	6344	Start Switch
16	6391	Light Switch Assembly
17	6364	Headlight Assembly
<b>NI</b>	<b>2964</b>	<b>Headlight Bulb</b>
18	3633	Battery
19	2093	Solenoid Jumper Wire Assembly
20	8216	Fuse Assembly, 15 Amp
21	2084	Solenoid
22	8202	Fuse, 15 Amp
<b>NI</b>	<b>9389</b>	<b>Fuse, 10 Amp</b>
<b>NI</b>	<b>6304-2</b>	<b>Solenoid Bracket, Black</b>

**NI** = Not Illustrated  
**ASM** = Assembly