

# ASSEMBLY INSTRUCTIONS

## 3170

## 169cc Fun Kart

Congratulations on the purchase of your 3170 fun kart! These instructions will guide you through the assembly process. Carefully read these instructions and familiarize yourself with the tools and fasteners required before starting the assembly of your fun kart.

### **Fasteners required for assembly**

Please refer to the last page of instructions for a list of fasteners. Ensure that you have all the fasteners before starting the assembly of your fun kart.

### **Tools required for assembly**

Please gather the required tools and familiarize yourself with them before starting the assembly of your fun kart. The tools will be mentioned in italic text for easy recognition.

<i>Hammer</i>	<i>Box Cutters</i>	<i>Pry Bar</i>
<i>Safety Glasses</i>	<i>Socket Wrench</i>	<i>10mm Socket</i>
<i>12mm Wrench</i>	<i>14mm Wrench</i>	<i>19mm Wrench</i>



### **WARNING**

Wear proper eye protection during the uncrating and assembly process to avoid potential eye injuries.



### **WARNING**

#### **RISK OF SERIOUS INJURY OR DEATH**

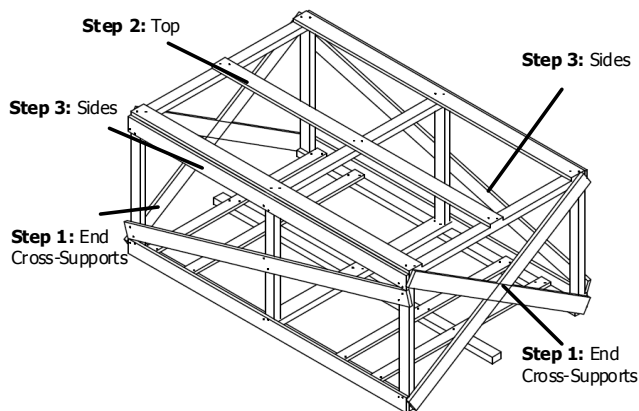
The Brush Bars and the Seat and Shoulder Belt are critical parts of the Operator / Passenger safety system on this kart. Do not attempt to operate the kart until these components have been properly installed.

#### **1- Uncrating the fun kart**

- Wear your *Safety Glasses* to prevent eye injury.
- Using the *Hammer* and *Pry Bar*, remove cross supports at each end of the crate and discard.
- Carefully pry and remove crate top and discard.

#### **2- Remove crate sides and discard.**

- Using *Box Cutters*, cut and remove the hold down ties.
- Remove the kart from the crate base and discard base.

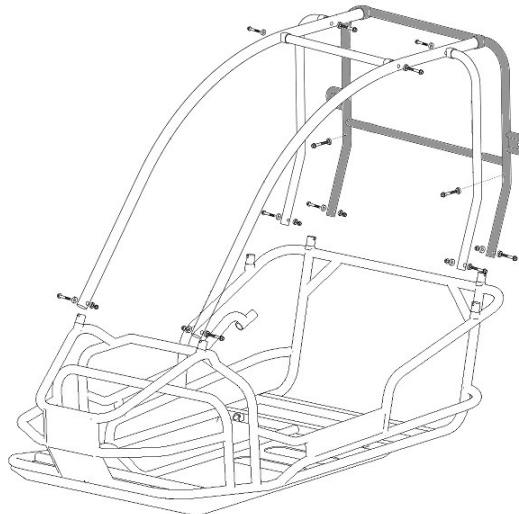


#### **3- Unpacking the components**

- Unpack all of the loose components from the unit and set aside.
- Remove protective plastic from each component and discard.

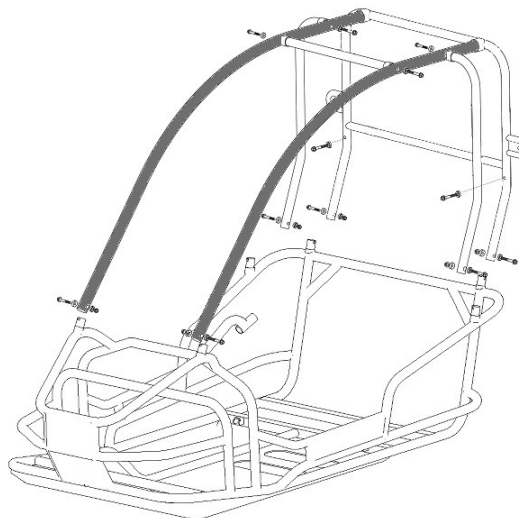
#### **4- Rear C-Pillar Installation**

- Locate the C-Pillar assembly and fasteners: (2) 14247, (4) 14087, and (2) 14088.
- Set the C-Pillar assembly (shaded) in place and install the fasteners with a *12mm Wrench* and *10mm Socket Wrench*. **DO NOT tighten any fasteners at this time.**



#### **5- Overhead Front Bar Installation**

- Locate the A-Pillars and fasteners: (4) 14247, (6) 14087, and (2) 14088.
- Set the A-Pillars (shaded) in place and install the fasteners with a *12mm Wrench* and *10mm Socket Wrench*. **DO NOT tighten any fasteners at this time.**



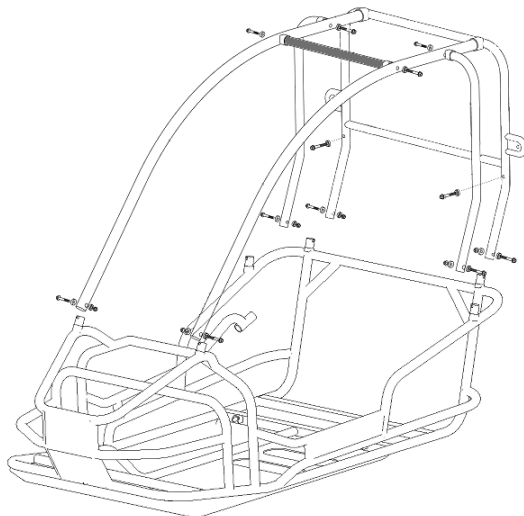
# ASSEMBLY INSTRUCTIONS

## 3170

## 169cc Fun Kart

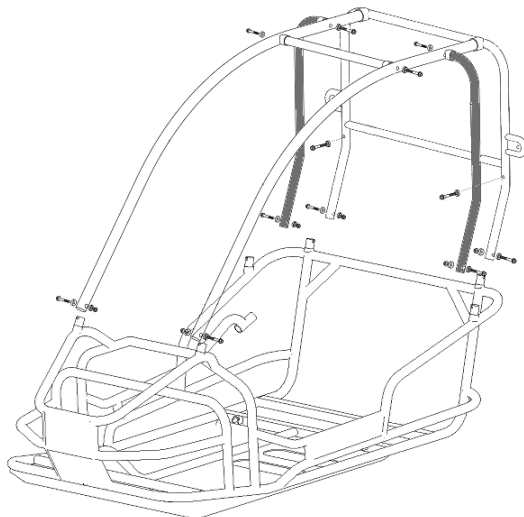
### 6- Overhead Cross Bar Installation

- Locate the cross bar and fasteners: (2) 14247, and (2) 14087.
- Set the cross bar (shaded) in place and install the fasteners with a 12mm Wrench and 10mm Socket Wrench. **DO NOT tighten any fasteners at this time.**



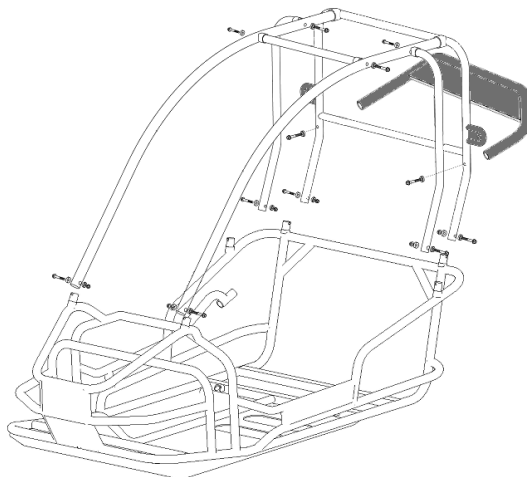
### 7- B-Pillar Installation

- Locate the B-Pillars and fasteners: (4) 14247, (6) 14087, and (2) 14088.
- Set the B-Pillars (shaded) in place and install the fasteners with a 12mm Wrench and 10mm Socket Wrench. **DO NOT tighten any fasteners at this time.**



### 8- Spoiler Installation

- Locate the spoiler and fasteners: (2) 14247, and 14087
- Set the spoiler (shaded) in place against the C-Pillar with fasteners (2) 14247 and washers (2) 14087.



### 9- Tighten Fasteners

- Use a 12mm Wrench and 10mm Socket Wrench to tighten down **all the fasteners**, starting with step 4- (14 total bolts).

### 10- Headrest Installation

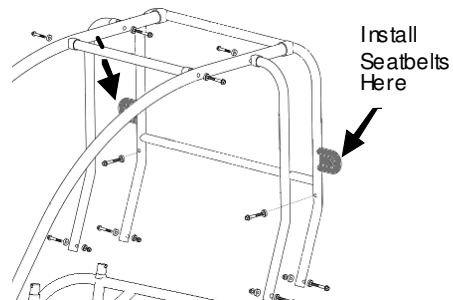
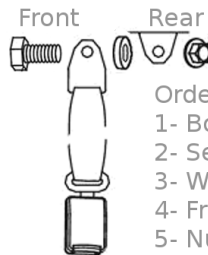
- Locate both headrests
- Set the headrest in place against the C-Pillar with fasteners (2) 14429.
- Using a 8mm Socket Wrench, securely install the headrests

### 11- Safety Flag Installation

- The flag fasteners have been pre-installed onto the right rear corner of the spoiler.
- Simply loosen the plastic nut from the underside of the rack and slip the flag into place.
- Finger tighten the plastic nut to retain the flag.

### 12- Seatbelt (Shoulder Connection) Installation

- Remove the plastic cover from the seatbelt bracket and install the hardware as shown in the figure below.
- Tighten using a 14mm Wrench and 19mm Wrench.



# ASSEMBLY INSTRUCTIONS

## 3170

## 169cc Fun Kart

### 13- Final Preparation

- Fill the fuel tank with clean, fresh mid-grade gasoline.
- Check the engine oil level per the supplied Owner/Operator manual
- Refer to the supplied Owner/Operator manual prior to operating your new Fun Kart.

