

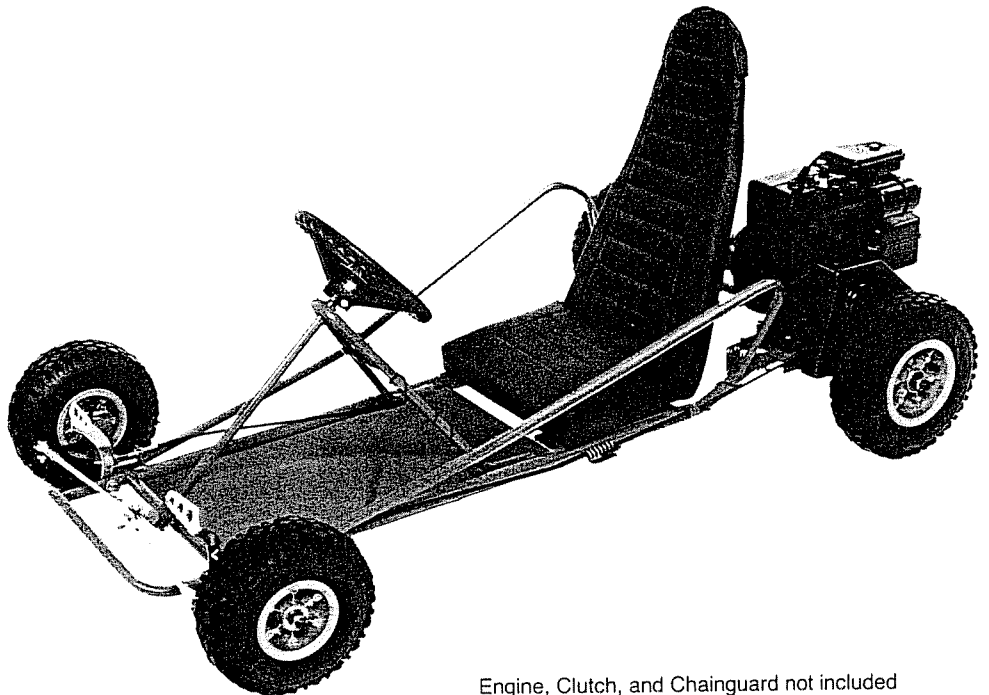
Operator's Manual SUPPLEMENT

MANCO MODEL NO.

297

WARNING:
Read Engine
Owner's Manual,
Vehicle Operator's
Manual, and
Supplement
Carefully Before
Operating
Vehicle.

Parts List



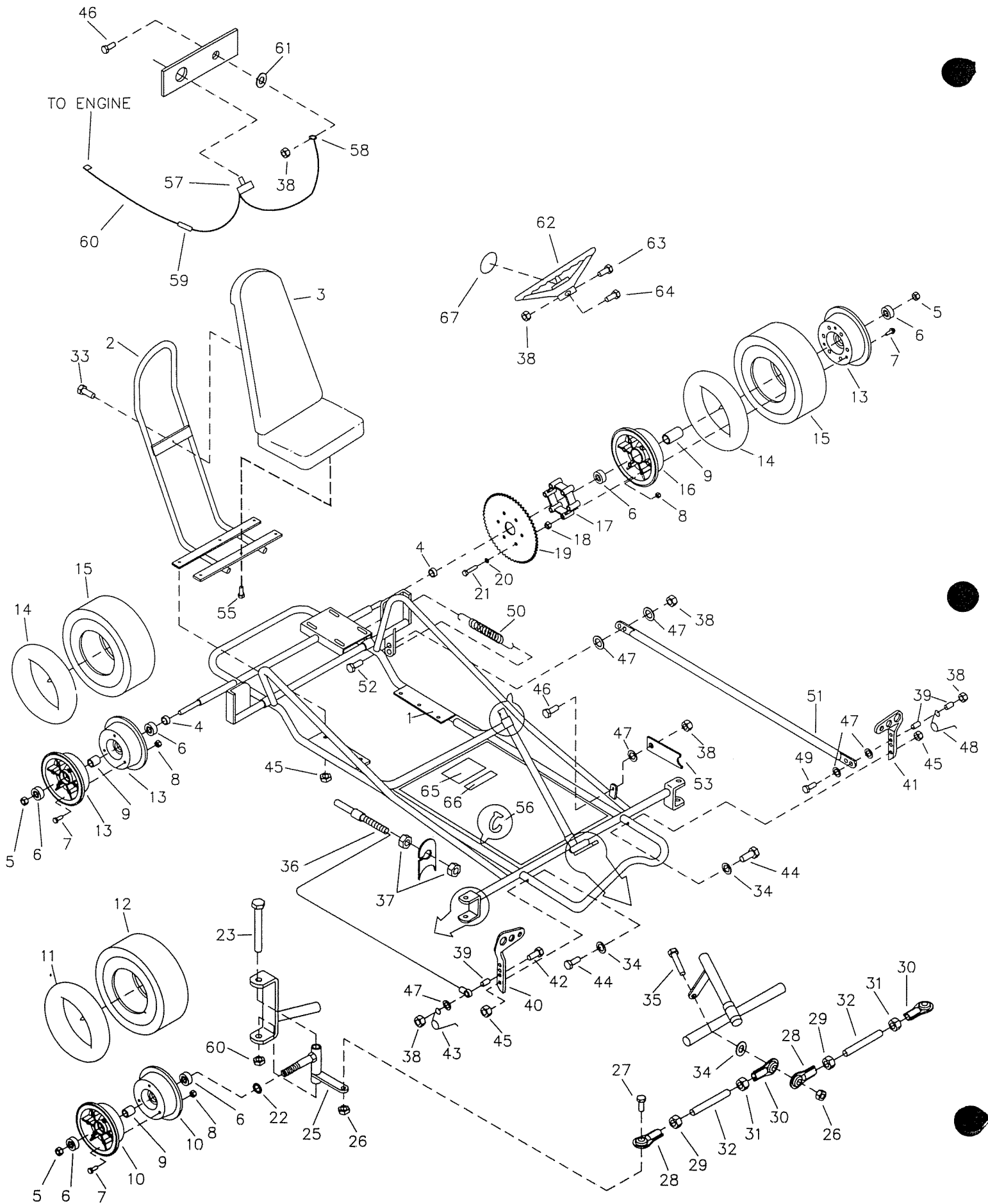
Engine, Clutch, and Chainguard not included

MANCO
PRODUCTS, INC.

4404 Engle Ridge Drive Ft. Wayne, Indiana 46804 219-432-1596

**THIS VEHICLE IS FOR
OFF-ROAD USE ONLY**

BEFORE OPERATING THIS VEHICLE, THE OWNER AND/OR OPERATOR MUST UNDERSTAND THE VEHICLE WAS NOT DESIGNED OR MANUFACTURED TO MEET SPECIFICATIONS FOR USE ON PUBLIC ROADS, STREETS, HIGHWAYS, OR THOROUGHFARES AND HAVE READ AND HAVE AN UNDERSTANDING OF ALL THE INSTRUCTIONS FOR SAFE ASSEMBLY AND OPERATION AS WELL AS THE INSTRUCTIONS GOVERNING THE ENGINE AND OTHER PORTIONS OF THE VEHICLE.



REPAIR PARTS - MODEL 297

REF NO.	PART NO.	DESCRIPTION	REF NO.	PART NO.	DESCRIPTION	
	1	6219-18		55	1876	Bolt, 1/4-20 x 5/8" Whiz Flange
	2	3347-2		56	1019	Ty-Wrap
	3	4324		ASM	4419	Stop Switch Assembly (inc. REF 79-82)
	4	1119		57	1392	Stop Switch
	5	1046		58	1393	Ring Terminal
ASM	2497	Front Wheel Assembly (inc. REF 22-28)		59	2650	Butt Connector
ASM	2247	Idle Wheel Asm (inc. REF 22-25,29-31)		60	5642	Wire w/ Terminal
ASM	4337	Drive Wheel Asm (inc. REF 22-25,29-37)		61	5732	Washer, 1/4 Int/Ext Lock
	6	1093		62	6038	Steering Wheel
	7	5839		63	9080	Bolt, 1/4-20 x 2.75"
	8	1186		64	9160	Bolt, 1/4-20 x .875"
	9	5949		65	4504	Decal, Warning
	10	5158		66	2832	Decal, No Passengers
	11	1053		67	3296	Decal, Steering Wheel Cntr
	12	2244		NI	4350	Vehicle Operator's Manual
	13	8004				
	14	1753				
	15	2246				
	16	8006				
	17	8008				
	18	2388				
	19	8007				
	20	9030				
	21	9127				
	22	1937				
	23	1264				
	24	1012				
	25	8021				
NI	8020	Spindle, Left Side				
	26	9085				
	27	9146				
ASM	4355	Tie Rod Assembly (inc. REF 46-50)				
	28	1414				
	29	9092				
	30	1415				
	31	9024				
	32	4352				
	33	9006				
	34	9091				
	35	9145				
	36	1390				
	37	9058				
	38	9057				
	39	1389				
	40	1437				
	41	1436				
	42	1847				
	43	9502				
	44	9110				
	45	1189				
	46	1845				
	47	1854				
	48	9503				
	49	1849				
	50	4365				
	51	5097				
	52	1846				
	53	1982				
	54	1263				

ASM = Assembly
NI = Not Illustrated