

Operator's Manual SUPPLEMENT

MANCO MODEL NO.
297-12

(Bolt)

WARNING:
Read Engine
Owner's Manual,
Vehicle Operator's
Manual, and
Supplement
Carefully Before
Operating
Vehicle.

Parts List

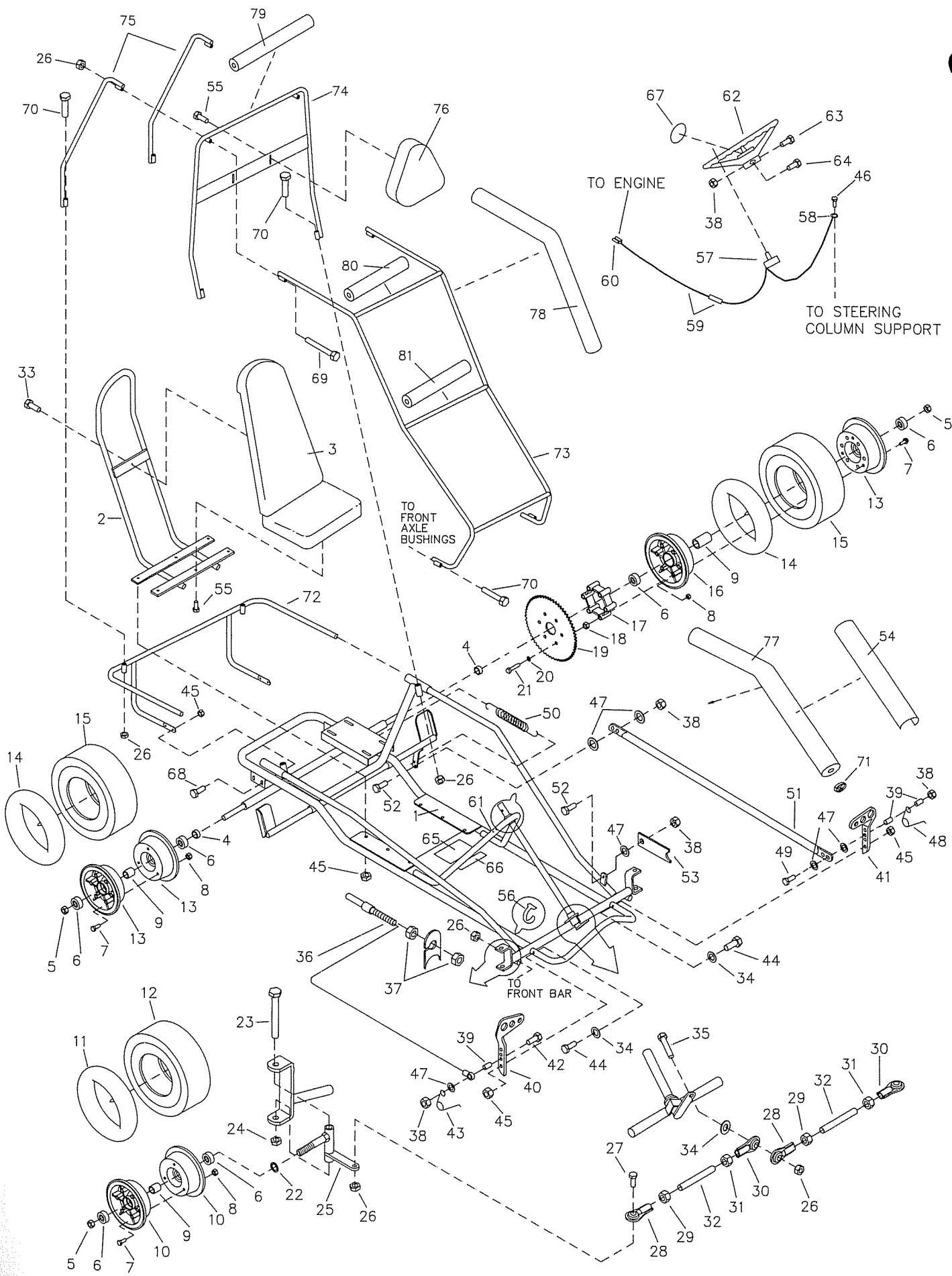


MANCO
PRODUCTS, INC.

4404 Engle Ridge Drive Ft. Wayne, Indiana 46804 219-432-1596

**THIS VEHICLE IS FOR
OFF-ROAD USE ONLY**

BEFORE OPERATING THIS VEHICLE, THE OWNER AND/OR OPERATOR MUST UNDERSTAND THE VEHICLE WAS NOT DESIGNED OR MANUFACTURED TO MEET SPECIFICATIONS FOR USE ON PUBLIC ROADS, STREETS, HIGHWAYS, OR THOROUGHFARES AND HAVE READ AND HAVE AN UNDERSTANDING OF ALL THE INSTRUCTIONS FOR SAFE ASSEMBLY AND OPERATION AS WELL AS THE INSTRUCTIONS GOVERNING THE ENGINE AND OTHER PORTIONS OF THE VEHICLE.



REPAIR PARTS - MODEL 297-12

REF. NO.	PART NO.	DESCRIPTION	REF. NO.	PART NO.	DESCRIPTION
1	9574-18	Frame	53	1982	Pedal Latch
2	3347-2	Seat Frame	54	9800	Arm Pad Cover
3	4324	Seat Pad	55	1876	Bolt, 1/4-20 x 5/8" Whiz Flange
4	1119	Spacer, 5/8 ID x 1/8"	56	1019	Ty-Wrap
5	1046	Nut, 5/8-11 Toplock	ASM	9799	Stop Switch Assembly (incl. REF. 57-59)
ASM	2497	Front Wheel Assembly (incl. REF. 6-12)	57	1392	Stop Switch
ASM	2247	Idle Wheel Asm (incl. REF. 6-9,13-15)	58	1393	Ring Terminal
ASM	4337	Drive Wheel Asm (incl. REF. 6-9,13-21)	59	1394	Wire, 50" w/Splice Connector
6	1093	Bearing	60	3135	Blade Terminal
7	5839	Bolt, 1/4-20 x 3/4"	61	1463	Bushing, Insulating
8	1186	Nut, 1/4-20	62	6038	Steering Wheel
9	5949	Spanner	63	9080	Bolt, 1/4-20 x 2-3/4"
10	5158	Wheel Half, Front 4"	64	9160	Bolt, 1/4-20 x 7/8"
11	1053	Tube, Front 4"	65	4504	Decal, Warning
12	2244	Tire, Front 4.10/3.50 x 4" Knobby	66	2832	Decal, No Passengers
13	8004	Wheel Half, Rear 5" Untapped	67	3296	Decal, Steering Wheel Center
14	1753	Tube, Rear 5"	68	2264	Bolt, 5/16-18 x 3/4"
15	2246	Tire, Rear 4.10/3.50 x 5" Knobby	69	6452	Bolt, 3/8-16 x 5"
16	8006	Wheel Half, Rear 5" Tapped	70	2386	Bolt, 3/8-16 x 3-1/2"
17	8008	Spacer	71	9776	Foam Stop, 3/4"
18	2388	Nut, 3/8-24	72	9554-18	Rear Bar
19	8007	Sprocket, #35 Chain x 60 Teeth	73	9540-2	Front Bar
20	9030	Washer, 5/16 Lock	74	9547-2	Center Bar
21	9127	Bolt, 5/16-18 x 2-1/4"	75	9549-2	Rear Upright Bar
22	1937	Spacer, 5/8 ID x 1/4" Thick	76	6320	Headrest Pad
23	1264	Bolt, 1/2-13 x 3-1/2"	NI	9798**	Foam Kit Universal (incl. 77-81)
24	1012	Nut, 1/2-13 Toplock	77	9759**	Foam, Side Bar, 30"
25	8021	Spindle, Right Side	78	9758**	Foam, Front Bar, 43"
NI	8020	Spindle, Left Side	79	9763**	Foam, 16"
26	9085	Nut, 3/8-16 Toplock	80	9764**	Foam, 15"
27	9146	Bolt, 3/8-16 x 1-1/2"	81	9765**	Foam, 14"
ASM	4355	Tie Rod Assembly (incl. REF. 28-32)	NI	4350	Vehicle Operator's Manual
28	1414	Tie Rod End, Right Hand Thread	NI	9212R1	Assembly Instructions
29	9092	Nut, 3/8-24 Jam, Right Hand Thread	NI	6450	Decal, Helmet Warning
30	1415	Tie Rod End, Left Hand Thread	NI	9679	Decal, No Riders Allowed
31	9024	Nut, 3/8-24 Jam, Left Hand Thread			
32	4352	Tie Rod			
33	9006	Bolt, 1/4-20 x 1/2" Whiz Flange			
34	9091	Washer, 3/8 Flat			
35	9145	Bolt, 3/8-16 x 1-3/4"			
36	1390	Throttle Cable w/ Housing (incl. REF. 37)			
37	9058	Nut, 5/16-24 Jam			
38	9057	Nut, 1/4-20 Toplock			
39	1389	Bushing			
40	1437	Pedal, Throttle			
41	1436	Pedal, Brake			
42	1847	Bolt, 1/4-20 x 1"			
43	9502	Spring, Left Wound			
44	9110	Bolt, 5/16-18 x 1-3/4"			
45	1189	Nut, 5/16-18 Toplock			
46	9796	Screw, 12-24 x 1/2" Self tapping			
47	1854	Washer, #14 Flat			
48	9503	Spring, Right Wound			
49	1849	Bolt, 1/4-20 x 1-1/2"			
50	9780	Spring			
51	5097	Brake Rod			
52	1846	Bolt, 1/4-20 x 3/4"			

ASM = Assembly

NI = Not Illustrated

****** = Foam Part Numbers are followed by one of the following Color Designating Suffixes:

B = Black

P = Pink

W = White

Y = Yellow

Specify Color Suffix when ordering replacement foam.