

Operator's Manual SUPPLEMENT

MANCO MODEL NO.
286-182E

286-182Y } no electrical
286-182P }

WARNING:
Read Engine
Owner's Manual,
Vehicle Operator's
Manual, and
Supplement
Carefully Before
Operating
Vehicle.

Parts List



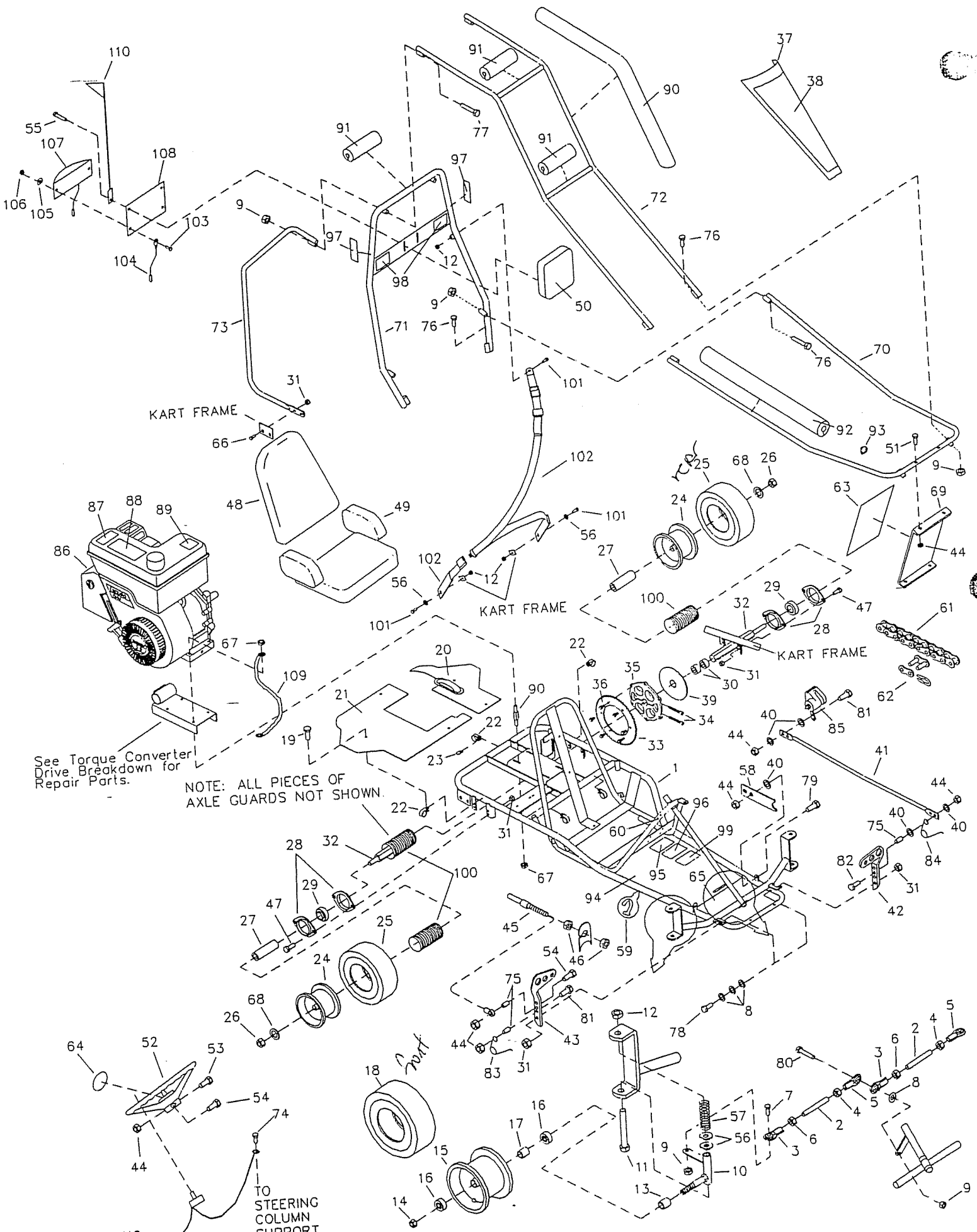
MANCO

PRODUCTS, INC.

4404 Engle Ridge Drive Ft. Wayne, Indiana 46804 219-432-1596

**THIS VEHICLE IS FOR
OFF-ROAD USE ONLY**

BEFORE OPERATING THIS VEHICLE, THE OWNER AND/OR OPERATOR MUST UNDERSTAND THE VEHICLE WAS NOT DESIGNED OR MANUFACTURED TO MEET SPECIFICATIONS FOR USE ON PUBLIC ROADS, STREETS, HIGHWAYS, OR THOROUGHFARES AND HAVE READ AND HAVE AN UNDERSTANDING OF ALL THE INSTRUCTIONS FOR SAFE ASSEMBLY AND OPERATION AS WELL AS THE INSTRUCTIONS GOVERNING THE ENGINE AND OTHER PORTIONS OF THE VEHICLE.



See Torque Converter Drive Breakdown for Repair Parts.

NOTE: ALL PIECES OF AXLE GUARDS NOT SHOWN.

SEE WIRING DIAGRAM

TO STEERING COLUMN SUPPORT

REPAIR PARTS - MODEL 286-182E

REF. NO.	PART NO.	DESCRIPTION	REF. NO.	PART NO.	DESCRIPTION
		Frame--	60	1463	Bushing, Plastic
1	9741-2	Tie Rod Assembly (incl. 2-6)	61	9514	Chain, #420 x 62P (incl. 62)
ASM	1464	Tie Rod	62	2037	Master Link, #420
2	1465	Rod End - Left Hand Thread	63	9341	Decal, Front Plate
3	1415	Nut, 3/8-24 Right Hand Thread	64	5946	Decal, Steering Wheel
4	9092	Rod End - Right Hand Thread	65	1441	Scuff Pad, Floor Pan
5	1414	Nut, 3/8-24 Left Hand Thread	66	9176	Bolt, 5/16-18 x 1"
6	9024	Bolt, 3/8-16 x 1-1/2"	67	1263	Nut, 5/16-18 Whiz Flange
7	9146	Washer, 3/8 Flat	68	1194	Washer, 3/4" Flat
8	9091	Nut, 3/8-16 Lock	69	1607	Front Plate
9	9085	Spindle - Right Side	70	9748-2	Front Bar
10	2457	Spindle - Left Side	71	9746-2	Center Bar
NI	2458	Bolt, 1/2-13 x 5-1/2"	72	9749-2	Overhead Bar
11	5682	Nut, 1/2-13 Toplock	73	9747-2	Rear Upright
12	1012	Spacer, 5/8" x 3/4"	74	9796	Screw, 12-24 x 1/2" Self Tapping
13	5157	Nut, 5/8-11 Toplock	75	1389	Bushing
14	1046	Frnt. Wheel Assembly (incl. 16-18)	76	2386	Bolt, 3/8-16 x 3-1/2"
15	9509P	Bearing	77	6452	Bolt, 3/8-16 x 5"
16	5090	Spanner	78	1447	Bolt, 5/16-18 x 1-3/4" Shoulder
17	5950	Tire, 145/70 x 6" Knobby	79	1846	Bolt, 1/4-20 x 3/4"
18	4915	Tube, 6" (Repair Part Only)	80	9145	Bolt, 3/8-16 x 1-3/4"
NI	3802	Bolt, 1/4-20 x 5/8" Whiz Flange	81	1847	Bolt, 1/4-20 x 1"
19	1876	Deck Cover, Left	82	1848	Bolt, 1/4-20 x 1-1/4"
20	8247	Deck Cover, Right	83	9502	Spring, Left Wound
21	8928	Loop Clip	84	9503	Spring, Right Wound
22	8266	Nut, Tinnerman	85	9597	Caliper (see Caliper Breakdown)
23	8227	Rear Wheel Assembly (incl. 24,25)	86	8224	Engine, Tecumseh 6hp Electric Start
ASM	3554H	Wheel - 8" Gold	87	9677	Decal, Warning: Hot Surfaces
24	3552	Tire, 18/9.5 x 8"	88	9678	Decal, Warning: Engine Exhaust
25	3548	Tube, 8" (Repair Part Only)	89	5964	Decal, Warning: Shipped w/o Oil
NI	1430	Nut, 3/4-10 Toplock	ASM	9798*	Foam Replacement Kit (incl. 90-92)
26	9162	Spacer, 1" ID x 3-9/16"	90	9758*	Foam, 43"
27	1448	Bearing Flange	91	9808*	Foam, 10"
28	1760	Bearing	92	9759*	Foam, 30"
29	3941	Spacer, 1" ID x 3/4"	93	9776	Clamp, 3/4"
30	2265	Nut, 5/16-18 Toplock	94	9361	Decal, Floor Pan
31	1189	Axle	95	2832	Decal, Warning - No Passengers
32	9740H	Sprocket Assembly (incl. 33-36)	96	4504	Decal, Warning - Yellow
ASM	6420H	Sprocket, 54 Teeth 420 Chain	97	6540	Decal, Warning: Wear Helmet
33	6282	Bolt, 5/16-18 Socket Head	98	8138	Decal, Warning: Entanglement
34	6701	Sprocket Hub	99	8154	Decal, Age Restriction
35	6280H	Bolt, 1/4-20 x 1/2" Whiz Flange	100	K285-18	Axle Guard Repair Kit
36	9006	Custom Cover	101	9188	Bolt, 1/2-13 x 1-1/4"
37	2257	Decal, Fairing Flames	102	8373	Seat Belt, Shoulder/Lap
38	8404	Brake Rotor	103	9106	Bolt, #10-32 x 1/2"
39	9511H	Washer, #14 Flat	104	6319	Tail Light Ground Wire
40	1854	Brake Rod	105	6039	Washer, #10 Internal Lock
41	9744-2	Brake Pedal	106	6193	Nut, #10-32 Acorn
42	1436	Throttle Pedal	107	6508	Tail Light Asm
43	1437	Nut, 1/4-20 Toplock	108	6305-2	Tail Light Bracket
44	9057	Throttle Cable (incl. 46)	109	8868	Battery Cable, 13-1/2"
45	8252	Nut, 5/16-24 Jam	110	8445	Safety Flag
46	9058	Bolt, 5/16-18 x 3/4"	NI	8407	Wheel Cover, 6"
47	2264	Seat Back	NI	8408	Wheel Cover, 8"
48	5159	Seat Bottom	NI	2684D	Engine Owner's Manual (285-191)
49	5160	Headrest Pad	NI	2684E	Engine Owner's Manual (285-192)
50	6320	Bolt, 1/4-20 x 1-1/2"	NI	6477	Vehicle Operator's Manual
51	1849	Steering Wheel	NI	9247R4	Assembly Instructions
52	6038	Bolt, 1/4-20 x 2-3/4"			
53	9080	Bolt, 1/4-20 x 7/8" with Nylock			
54	9160	Bolt, 1/4-20 x 3/4" Whiz Flange			
55	5839	Washer, 1/2" Flat			
56	9022	Spring			
57	5681	Pedal Latch			
58	1982	Ty-Wrap			
59	1019				

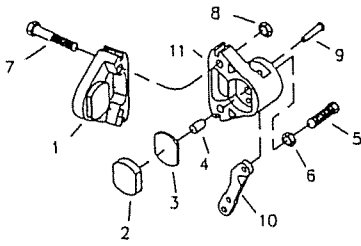
ASM = Assembly

NI = Not Illustrated

* = Specify Black, Pink, White, or Yellow

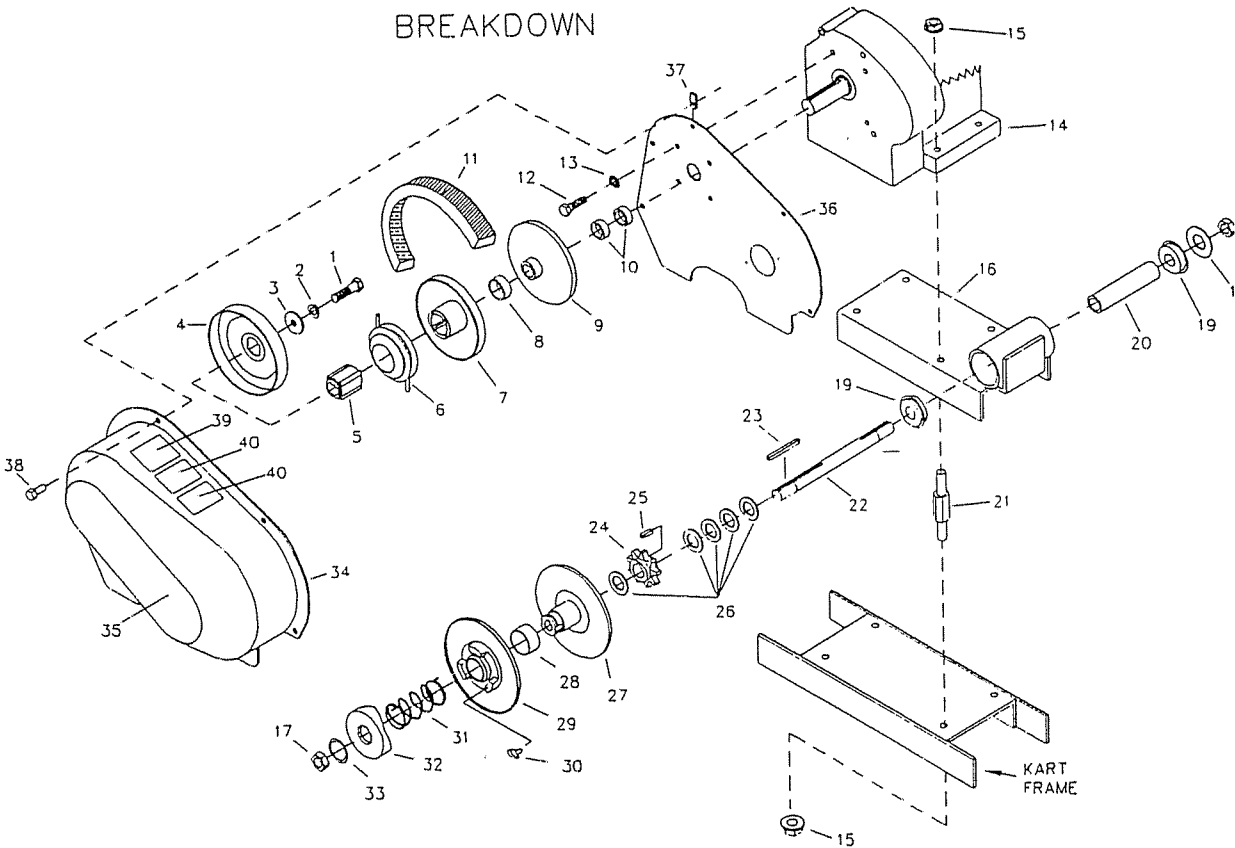
8630 Yellow

Brake Caliper Breakdown



REF. NO	PART NO	DESCRIPTION
ASM	9597	Brake Callper (Incl. 1-11)
ASM	9810	Brake Pad Svc Kit (Incl. 1-3)
1	.	Anvil w/Lining
2	.	Brake Lining
3	3928	Backing Plate
4	3930	Actuator Pin
5	3931	Adjuster Pin
6	3932	Nut, Jam
7	9158	Bolt, 3/8-16 x 2-1/4"
8	9085	Nut, 3/8-16 Toplock
ASM	6534	MB-1 Service Kit (incl. 9-11)
9	.	Groove Pin
10	.	Lever
11	.	Brake Housing

TORQUE CONVERTER BREAKDOWN

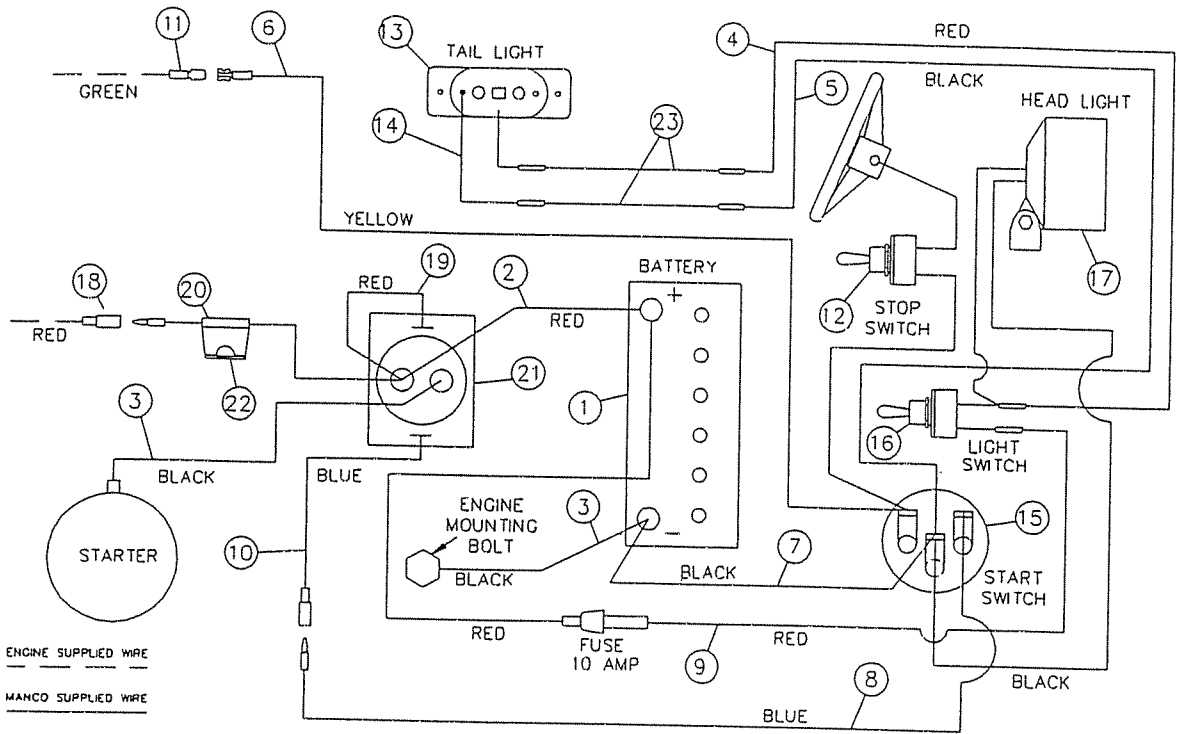


REF. NO	PART NO	DESCRIPTION	REF. NO	PART NO	DESCRIPTION	REF. NO	PART NO	DESCRIPTION
1	8204	Bolt, 5/16-24 x 1-1/4"	18	1469	Spacer, 5/8ID x .062"	35	8403	Decal
2	1124	Washer, 5/16 Split Lock	19	5090	Bearing	36	8188	Cover Plate
3	1398	Washer, Flat	20	1116	Spanner	37	2449	Nut, Tinnerman
ASM	5957	Driver Pulley Assembly (incl. REF. 4 - 9)	21	1356	Stud	38	9006	Bolt, 1/4-20 x 1/2"
4	.	Drum	22	1118	Jackshaft	39	6958	Decal, Tire Pressure
5	.	Hub	23	3403	Key, 3/16sq x 2"	40	4912	Decal, Warning: This Guard...
6	.	Shoe Assembly	24	1125s	Sprocket, 9T #420	41	1049	Decal, Warning: ...Drive Cover
7	.	Moveable Sheave	25	1031	Key, 3/16sq x 1/2"	NI	1018	Throttle Cable Stop
8	200349	Bushing	ASM	5958	Driven Pulley Assembly (incl. REF. 30 - 36)			
9	.	Stationary Sheave	27	.	Stationary Sheave			
10	1938	Spacer, 3/4ID x 3/8"	28	.	Bushing			
11	5959	Belt, Asymmetrical	29	.	Moveable Sheave			
12	9101	Bolt, 5/16-24 x 1/2"	30	6804	Button, Nylon			
13	9060	Washer, 5/16 Flat	31	6805	Spring			
14	8224	Engine, Tecumseh 6hp	32	.	Cam			
15	1263	Nut, 5/16-18 Flange	33	2477	Retaining Ring			
16	1110	Chassis	34	4642	Cover			
17	1136	Nut, 5/8-18 Top Lock						

* = Not Available Separately
 ASM = Assembly
 NI = Not Illustrated

8187

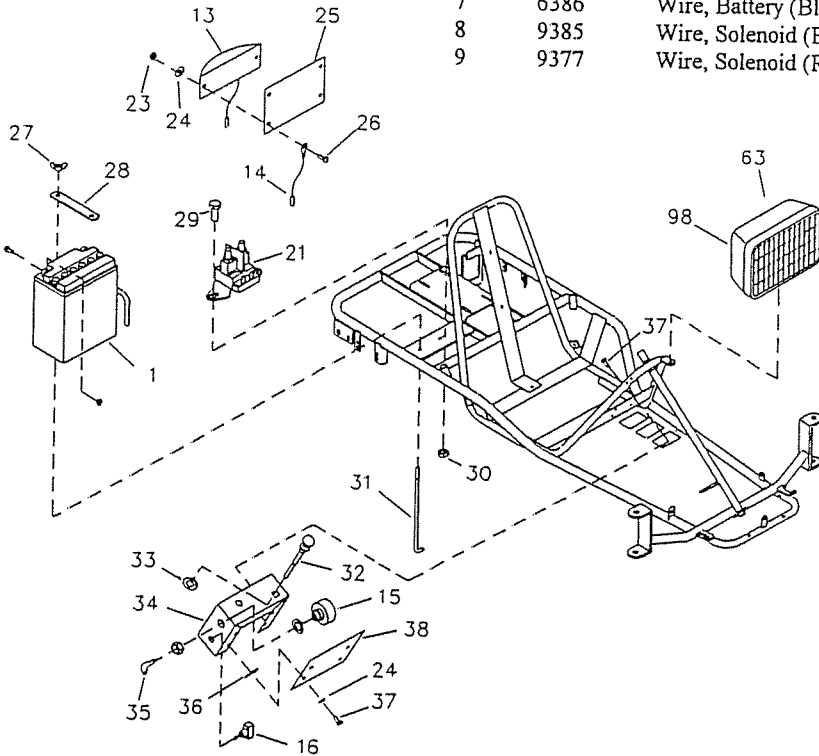
Wiring Diagram



ENGINE SUPPLIED WIRE
MANCO SUPPLIED WIRE

Ref. No.	Part No.	Description
1	3633	Battery
2	3610	Battery Cable, Red
3	8868	Battery Cable, Black
ASM	9376P	Wiring Harness (incl. 4 - 9)
4	9379	Wire, Taillight (Red)
5	9381	Wire, Taillight (Black)
6	9383	Wire, Engine (Yellow)
7	6386	Wire, Battery (Black)
8	9385	Wire, Solenoid (Blue)
9	9377	Wire, Solenoid (Red)

Ref. No.	Part No.	Description
10	8281	Start Wire Adapter
11	8108	Terminal, Male Tab
NI	6505	Poly Loom 43"
NI	6897	Poly Loom 28"
NI	6763	Poly Loom "Tee"
NI	6813	Poly Loom "Outlet"
12	6394	Stop Switch Asm
13	6508	Taillight Asm
14	6319	Wire, Taillight Gnd
15	6344	Start Switch
16	6391	Light Switch Asm
17	6364	Headlight Asm
NI	2964	Headlight Bulb
18	5952	Terminal, Bullet
19	2093	Solenoid Jumper Wire
20	8216	Fuse Asm, 15 Amp
21	2084	Solenoid
22	8202	Fuse, 15 Amp
NI	9389	Fuse, 10 Amp
23	6193	Nut, #10-32 Acorn
24	6039	Washer, #10 Int Lock
25	6305-2	Taillight Bracket
26	9106	Bolt, #10-32 x 1/2"
27	9468	Nut, #10-32 Wing
28	9642-2	Battery Clamp Bar
29	1846	Bolt, 1/4-20 x 3/4"
30	9067	Nut, 1/4-20
31	9430	Battery Hold Down Rod
32	6920	Choke Cable
33	6353	Washer, Square Hole
34	6296-2	Control Box
35	2290	Ignition Key
36	5135	Nut, Tinnerman
37	6046	Bolt, #10-24 x 1/2"
38	9528-2	Cover Plate



REF. NO.

- 1
- 2
- 3

-A