

# Operator's Manual SUPPLEMENT

MODEL NO. 285-191

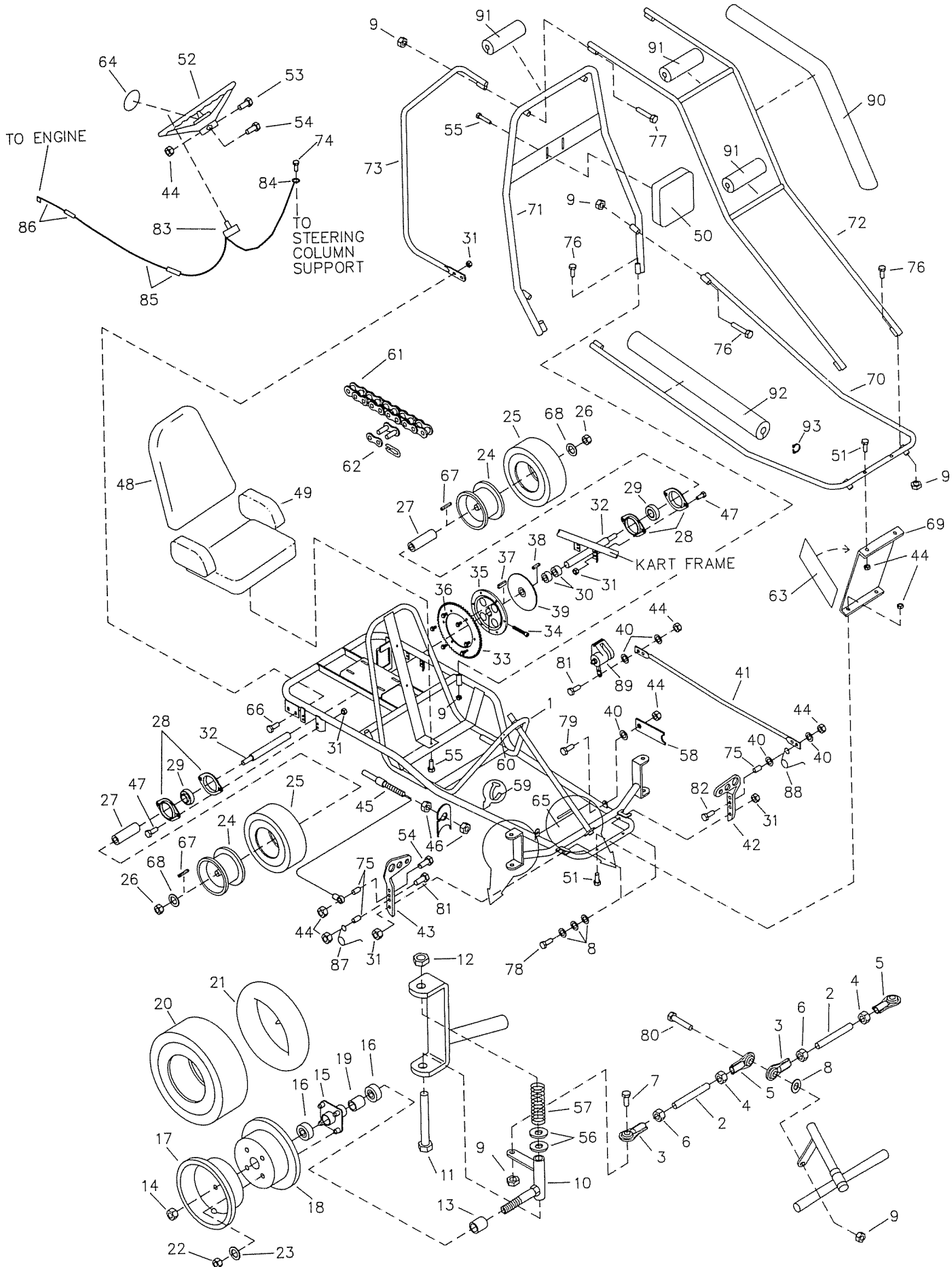
**WARNING:**  
Read Engine  
Owner's Manual,  
Vehicle Operator's  
Manual, and  
Supplement  
Carefully Before  
Operating  
Vehicle.

**Parts List**



**THIS VEHICLE IS FOR  
OFF-ROAD USE ONLY**

BEFORE OPERATING THIS VEHICLE, THE OWNER AND/OR OPERATOR MUST UNDERSTAND THE VEHICLE WAS NOT DESIGNED OR MANUFACTURED TO MEET SPECIFICATIONS FOR USE ON PUBLIC ROADS, STREETS, HIGHWAYS, OR THOROUGHFARES AND HAVE READ AND HAVE AN UNDERSTANDING OF ALL THE INSTRUCTIONS FOR SAFE ASSEMBLY AND OPERATION AS WELL AS THE INSTRUCTIONS GOVERNING THE ENGINE AND OTHER PORTIONS OF THE VEHICLE.

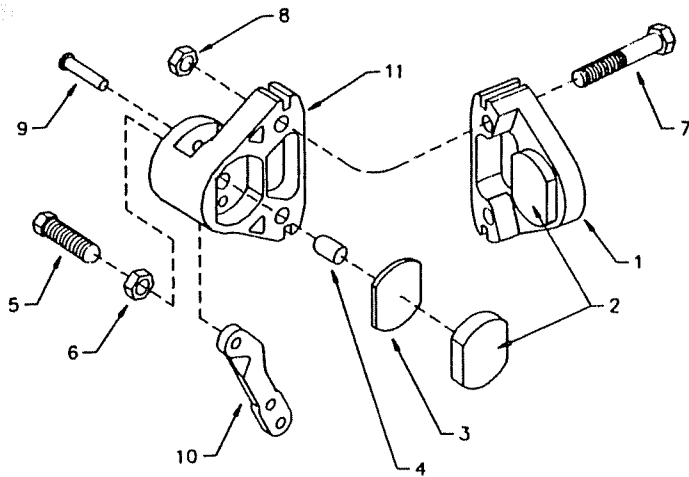


## REPAIR PARTS - MODEL 285-191

REF. NO.	PART NO.	DESCRIPTION	REF. NO.	PART NO.	DESCRIPTION
1	9741-19	Frame	59	1019	Ty-Wrap
<b>ASM</b>	1464	Tie Rod Assembly (incl. 2-6)	60	1463	Bushing, Plastic
2	1465	Tie Rod	61	9514	Chain, #420 x 62P (incl. 62)
3	1415	Rod End - Left Hand Thread	62	2037	Master Link, #420
4	9092	Nut, 3/8-24 Right Hand Thread	63	9341	Decal, Front Plate
5	1414	Rod End - Right Hand Thread	64	5946	Decal, Steering Wheel
6	9024	Nut, 3/8-24 Left Hand Thread	65	1441	Scuff Pad, Floor Pan
7	9146	Bolt, 3/8-16 x 1-1/2"	66	9176	Bolt, 5/16-18 x 1"
8	9091	Washer, 3/8 Flat	67	6123	Key, 1/4" Square x 1-3/4"
9	9085	Nut, 3/8-16 Lock	68	1194	Washer, 3/4" Flat
10	2457-2	Spindle - Right Side	69	1607	Front Plate
<b>NI</b>	2458-2	Spindle - Left Side	70	9748-2	Front Bar
11	5682	Bolt, 1/2-13 x 5-1/2"	71	9746-2	Center Bar
12	1012	Nut, 1/2-13 Toplock	72	9749-2	Overhead Bar
13	5157	Spacer, 5/8" x 3/4"	73	9747-2	Rear Upright
14	1046	Nut, 5/8-11 Toplock	74	9796	Screw, 12-24 x 1/2" Self Tapping
<b>ASM</b>	9509P	Frnt. Wheel Assembly (incl. 15-23)	75	1389	Bushing
15	9487-24	Hub, 6" Gold	76	2386	Bolt, 3/8-16 x 3-1/2"
16	5090	Bearing	77	6452	Bolt, 3/8-16 x 5"
17	4925-24	Wheel Half - 6" Gold Outer	78	1447	Bolt, 5/16-18 x 1-3/4" Shoulder
18	4926-24	Wheel Half - 6" Gold Inner	79	1846	Bolt, 1/4-20 x 3/4"
19	5950	Spanner	80	9145	Bolt, 3/8-16 x 1-3/4"
20	4915	Tire, 145/70 x 6" Knobby	81	1847	Bolt, 1/4-20 x 1"
21	3802	Tube, 6"	82	1848	Bolt, 1/4-20 x 1-1/4"
22	2388	Nut, 3/8-24 Hex	<b>ASM</b>	9799	Stop Switch Asm (incl. 83-85)
23	1130	Washer, 3/8 Split Lock	83	1392	Stop Switch
<b>ASM</b>	3554	Rear Wheel Assembly (incl. 24,25)	84	1393	Ring Terminal
24	3552	Wheel - 8" Gold	85	1394	Wire, 50" with Splice Connector
25	3548	Tire, 18/9.5 x 8"	86	1406	Wire, to Engine
<b>NI</b>	1430	Tube, 8" (Repair Part Only)	87	9502	Spring, Left Wound
26	9162	Nut, 3/4-10 Toplock	88	9503	Spring, Right Wound
27	1448	Spacer, 1" ID x 3-9/16"	89	9597	Caliper (see Caliper Breakdown)
28	1760	Bearing Flange	<b>ASM</b>	9798*	Foam Replacement Kit (incl. 90-92)
29	3941	Bearing	90	9758*	Foam, 43"
30	2265	Spacer, 1" ID x 3/4"	91	9808*	Foam, 10"
31	1189	Nut, 5/16-18 Toplock	92	9759*	Foam, 30"
32	9740	Axle	93	9776	Clamp, 3/4"
<b>ASM</b>	6420	Sprocket Assembly (incl. 33-36)	<b>NI</b>	9361	Decal, Floor Pan
33	6282	Sprocket, 54 Teeth 420 Chain	<b>NI</b>	1049	Decal, Warning - ...Drive Cover
34	6701	Bolt, 5/16-18 Socket Head	<b>NI</b>	2832	Decal, Warning - No Passengers
35	6280	Sprocket Hub	<b>NI</b>	4504	Decal, Warning - Yellow
36	1876	Bolt, 1/4-20 x 5/8" Whiz	<b>NI</b>	4912	Decal, Warning - This Guard...
37	9680	Key, 1/4" x 3/8" x 1-1/4" Long	<b>NI</b>	6450	Decal, Warning - A Helmet must...
38	1775	Key, 1/4" Square x 1-1/4" Long	<b>NI</b>	6958	Decal - Tire Pressure
39	9511	Brake Rotor	<b>NI</b>	2684B	Engine Owner's Manual
40	1854	Washer, #14 Flat	<b>NI</b>	9201	Vehicle Operator's Manual
41	9744-2	Brake Rod	<b>NI</b>	9247R1	Assembly Instructions
42	1436	Brake Pedal			
43	1437	Throttle Pedal			
44	9057	Nut, 1/4-20 Toplock			
45	1390	Throttle Cable (incl. 46)			
46	9058	Nut, 5/16-24 Jam			
47	2264	Bolt, 5/16-18 x 3/4"			
48	5159	Seat Back			
49	5160	Seat Bottom			
50	6320	Headrest Pad			
51	1849	Bolt, 1/4-20 x 1-1/2"			
52	6038	Steering Wheel			
53	9080	Bolt, 1/4-20 x 2-3/4"			
54	9160	Bolt, 1/4-20 x 7/8" with Nylock			
55	5839	Bolt, 1/4-20 x 3/4" Whiz Flange			
56	9022	Washer, 1/2" Flat			
57	5681	Spring			
58	1982	Pedal Latch			

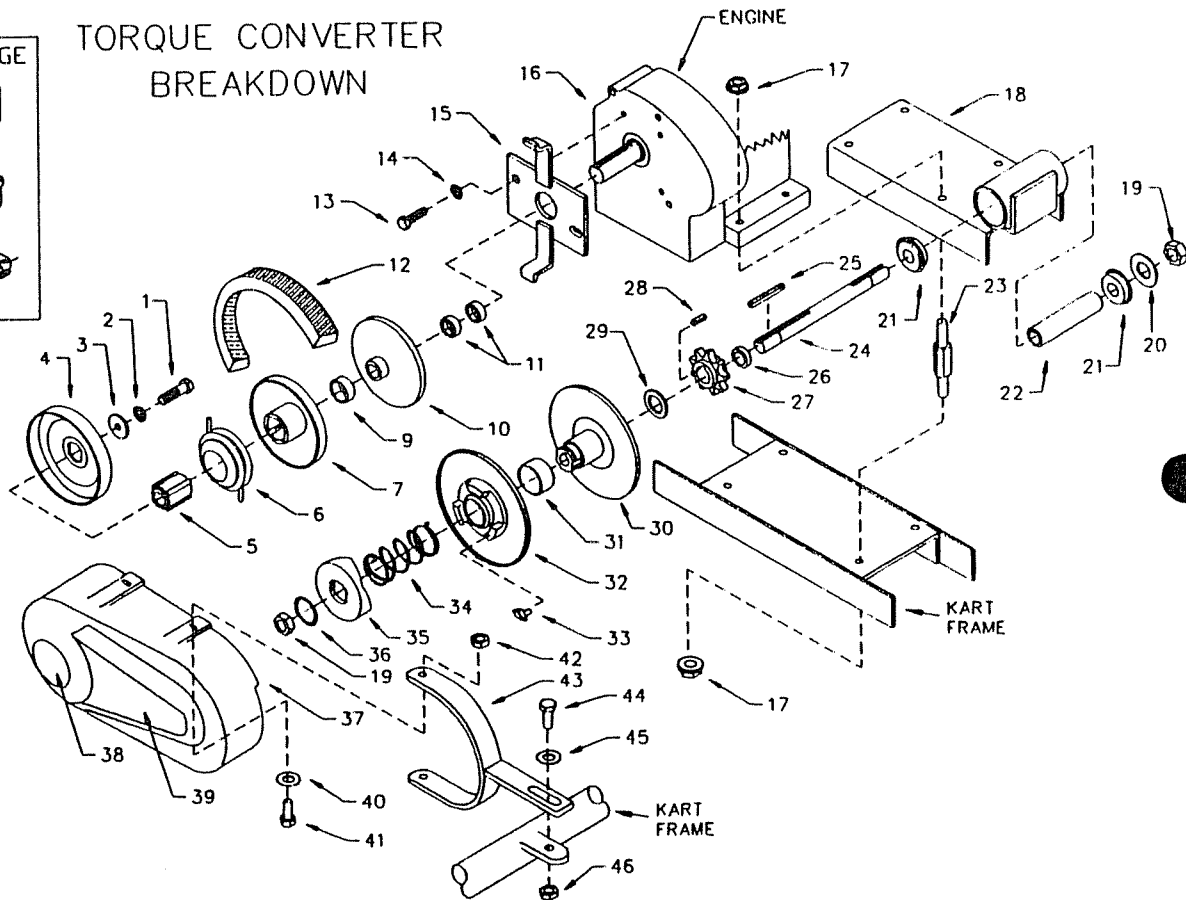
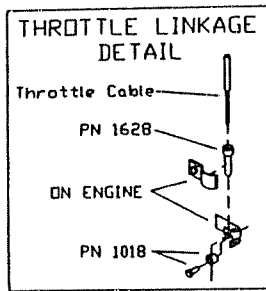
**ASM** = Assembly  
**NI** = Not Illustrated  
 \* = Specify Black, Pink, White, or Yellow

## CALIPER BREAKDOWN



REF. NO	PART NO	DESCRIPTION
ASM	9597	Brake Caliper (incl. 1-11)
ASM	9810	Brake Pad Svc Kit (incl. 1-3)
1	*	Anvil w/Lining
2	*	Brake Lining
3	3928	Backing Plate
4	3930	Actuator Pin
5	3931	Adjuster Pin
6	3932	Nut, Jam
7	9158	Bolt, 3/8-16 x 2-1/4"
8	9085	Nut, 3/8-16 Toplock
ASM	6534	MB-1 Service Kit (incl. 9-11)
9	*	Groove Pin
10	*	Lever
11	*	Brake Housing

## TORQUE CONVERTER BREAKDOWN



REF. NO	PART NO	DESCRIPTION
1	1454	Bolt, 5/16-24 x 1.75"
2	1124	Washer, 5/16 Split Lock
3	1398	Washer, Flat
ASM	5957	Driver Pulley Assembly (incl. REF. 4-10)
4	*	Drum
5	*	Hub
6	*	Shoe Assembly
7	*	Moveable Sheave
9	200349	Bushing
10	*	Stationary Sheave
11	1442	Spacer, 3/4ID x .250"
12	5959	Belt, Asymmetrical
13	9101	Bolt, 5/16-24 x .5"
14	9030	Washer, 5/16 Interlock
15	1494	Mounting Bracket
16	1763	Engine, 5hp
17	1263	Nut, 5/16-18 Flange
18	1110	Chassis

REF. NO	PART NO	DESCRIPTION
19	1136	Nut, 5/8-18 Top Lock
20	1469	Spacer, 5/8ID x .082"
21	5090	Bearing
22	1116	Spanner
23	1356	Stud
24	1118	Jackshaft
25	3403	Key, 3/16sq x 2"
26	1937	Spacer, 5/8ID x .25"
27	1125s	Sprocket, 9T #420
28	1031	Key, 3/16sq x .5"
29	1119	Spacer, 5/8ID x .125"
ASM	5958	Driven Pulley Assembly (incl. REF. 30-36)
30	*	Stationary Sheave
31	*	Bushing
32	*	Moveable Sheave
33	6804	Button, Nylon
34	6805	Spring
35	*	Cam

REF. NO	PART NO	DESCRIPTION
36	2477	Retaining Ring
37	1542	Cover
38	---	Decal
39	9333	Decal
40	2279	Washer, #8 Flat
41	2277	Screw, #8 x .5"
42	2278	Nut, #8 Lock
43	1537-2	Bracket
44	1846	Bolt, 1/4-20 x .75"
45	1854	Washer, 1/4 Flat
46	9057	Nut, 1/4-20 Lock
NI	9677	Decal, Hot Surfaces
NI	9678	Decal, Engine Exhaust
NI	5984	Decal, Oil Warning

\* = Not Available Separately  
 ASM = Assembly  
 NI = Not Illustrated