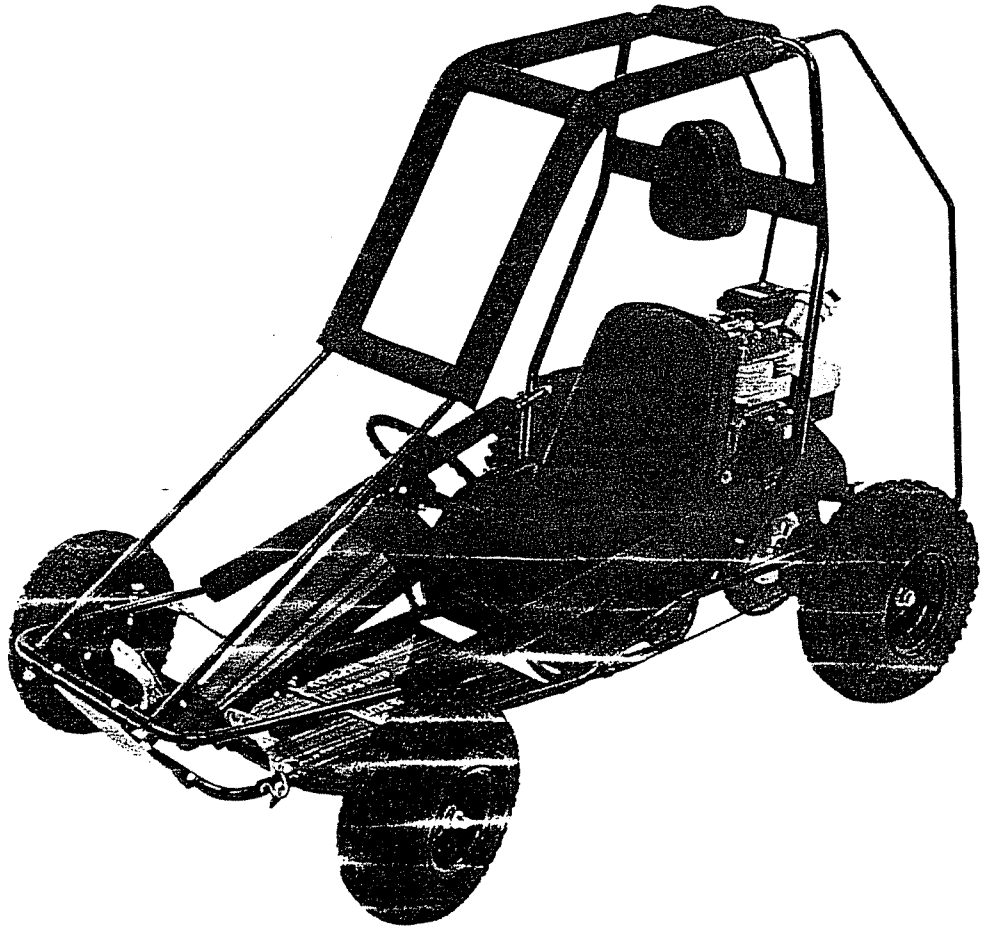


Operator's Manual — SUPPLEMENT

MODEL NO. 225-14 24

WARNING:
Read Engine
Owner's Manual,
Vehicle Operator's
Manual, and
Supplement
Carefully Before
Operating
Vehicle.

Parts List



**THIS VEHICLE IS FOR
OFF-ROAD USE ONLY**

BEFORE OPERATING THIS VEHICLE, THE OWNER AND/OR OPERATOR MUST UNDERSTAND THE VEHICLE WAS NOT DESIGNED OR MANUFACTURED TO MEET SPECIFICATIONS FOR USE ON PUBLIC ROADS, STREETS, HIGHWAYS, OR THOROUGHFARES AND HAVE READ AND HAVE AN UNDERSTANDING OF ALL THE INSTRUCTIONS FOR SAFE ASSEMBLY AND OPERATION AS WELL AS THE INSTRUCTIONS GOVERNING THE ENGINE AND OTHER PORTIONS OF THE VEHICLE.

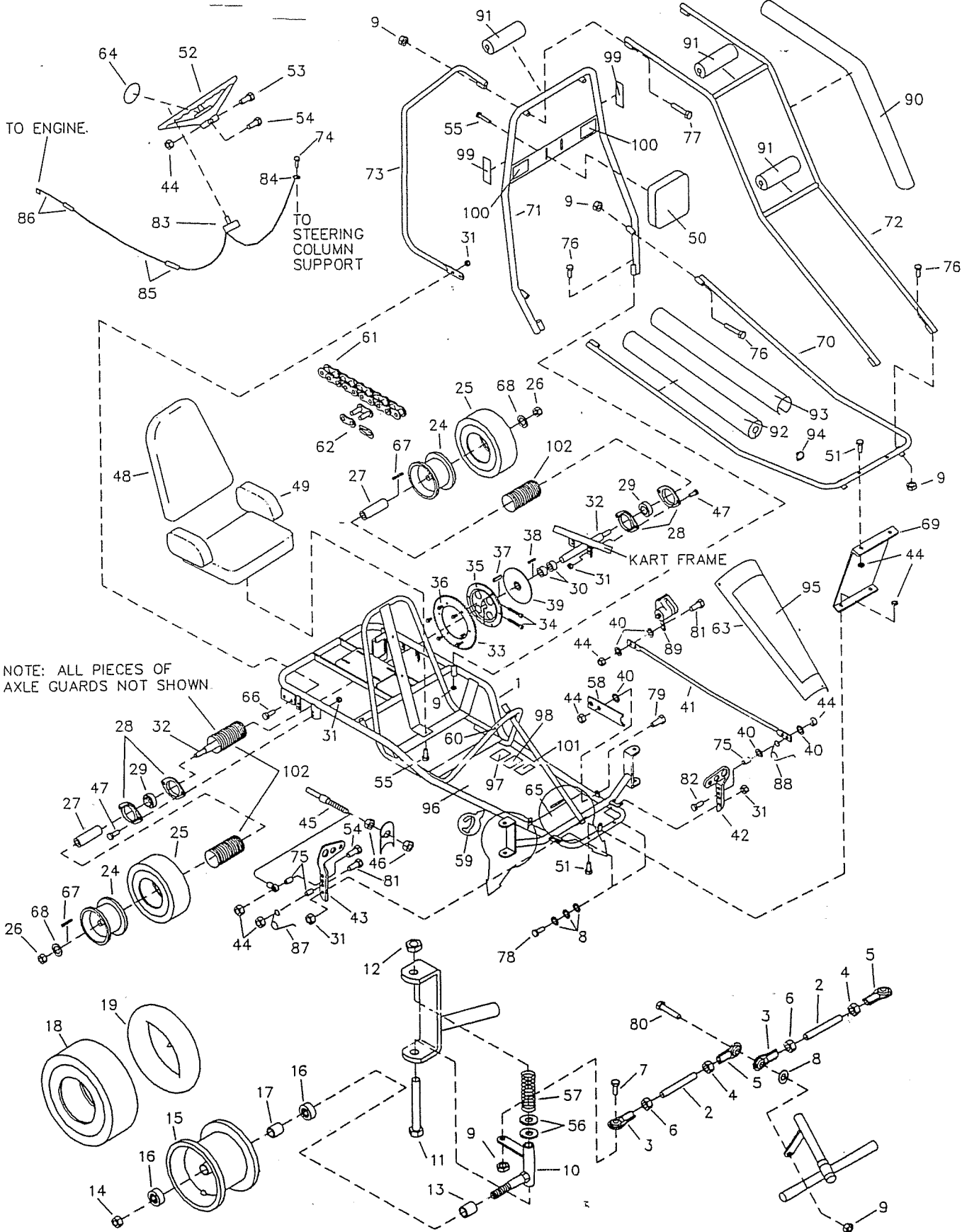
REPAIR PARTS - MODEL 225-14

REF. NO.	PART NO.	DESCRIPTION	REF. NO.	PART NO.	DESCRIPTION
	1	9742-2	61	9517	Chain, #420 x 76P (incl. 62)
ASM	1464	Tie Rod Assembly (incl. 2-6)	62	2037	Master Link, #420
	2	1465	63	2257	Custom Cover
	3	1415	64	3296	Decal, Steering Wheel
	4	9092	65	1441	Scuff Pad, Floor Pan
	5	1414	66	9176	Bolt, 5/16-18 x 1"
	6	9024	67	6123	Key, 1/4" Square x 1-3/4"
	7	9146	68	1194	Washer, 3/4" Flat
	8	9091	69	1607	Front Plate
	9	9085	70	9748-2	Front Bar
	10	2457	71	9746-2	Center Bar
NI	2458	Spindle - Left Side	72	9749-2	Overhead Bar
	11	5682	73	9747-2	Rear Upright
	12	1012	74	9796	Screw, 12-24 x 1/2" Self Tapping
	13	5157	75	1389	Bushing
	14	1046	76	2386	Bolt, 3/8-16 x 3-1/2"
	15	9309FP	77	6452	Bolt, 3/8-16 x 5"
	16	5090	78	1447	Bolt, 5/16-18 x 1-3/4" Shoulder
	17	5950	79	1846	Bolt, 1/4-20 x 3/4"
	18	4915	80	9145	Bolt, 3/8-16 x 1-3/4"
	19	3802	81	1847	Bolt, 1/4-20 x 1"
	20	_____	82	1848	Bolt, 1/4-20 x 1-1/4"
	21	_____	ASM	9799	Stop Switch Asm (incl. 83-85)
	22	_____	83	1392	Stop Switch
	23	_____	84	1393	Ring Terminal
ASM	6289P	Rear Wheel Assembly (incl. 24,25)	85	1394	Wire, 50" with Splice Connector
	24	9606	86	1406	Wire, to Engine
	25	9607	87	9502	Spring, Left Wound
NI	9609	Tube, 16 x 8.0 - 7" (Repair Part Only)	88	9503	Spring, Right Wound
	26	9162	89	9597	Caliper (see Caliper Breakdown)
	27	5646	ASM	9798*	Foam Replacement Kit (incl. 90-92)
	28	1760	90	9758*	Foam, 43"
	29	3941	91	9808*	Foam, 10"
	30	2265	92	9759*	Foam, 30"
	31	1189	93	9856	Cover, 30" MANCO
	32	9769	94	9776	Clamp, 3/4"
ASM	9571	Sprocket Assembly (incl. 33-36)	95	6105	Decal, Custom Cover
	33	9505	96	6104	Decal, Floor Pan
	34	6701	97	2932	Decal, Warning - No Passengers
	35	6280	98	4504	Decal, Warning - Yellow
	36	1876	99	6540	Decal, Warning: Wear Helmet
	37	9680	100	8138	Decal, Warning: Entanglement
	38	1775	101	8154	Decal, Age Restriction
	39	9511	102	K225-14	Axle Guard Repair Kit
	40	1854	NI	2601	Engine Owner's Manual
	41	9744-2	NI	9201	Vehicle Operator's Manual
	42	1436	NI	9247R3	Assembly Instructions
	43	1437			
	44	9057			
	45	1390			
	46	9058			
	47	2264			
	48	5159			
	49	5160			
	50	6320			
	51	1849			
	52	6038			
	53	9080			
	54	9160			
	55	5839			
	56	9022			
	57	5681			
	58	1982			
	59	1019			
	60	1463			

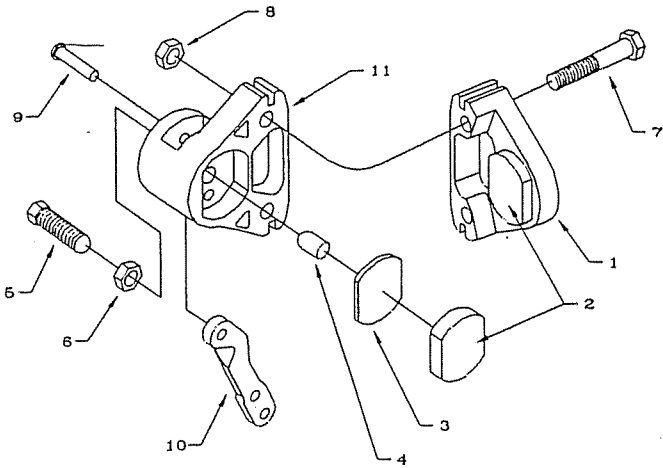
ASM = Assembly

NI = Not Illustrated

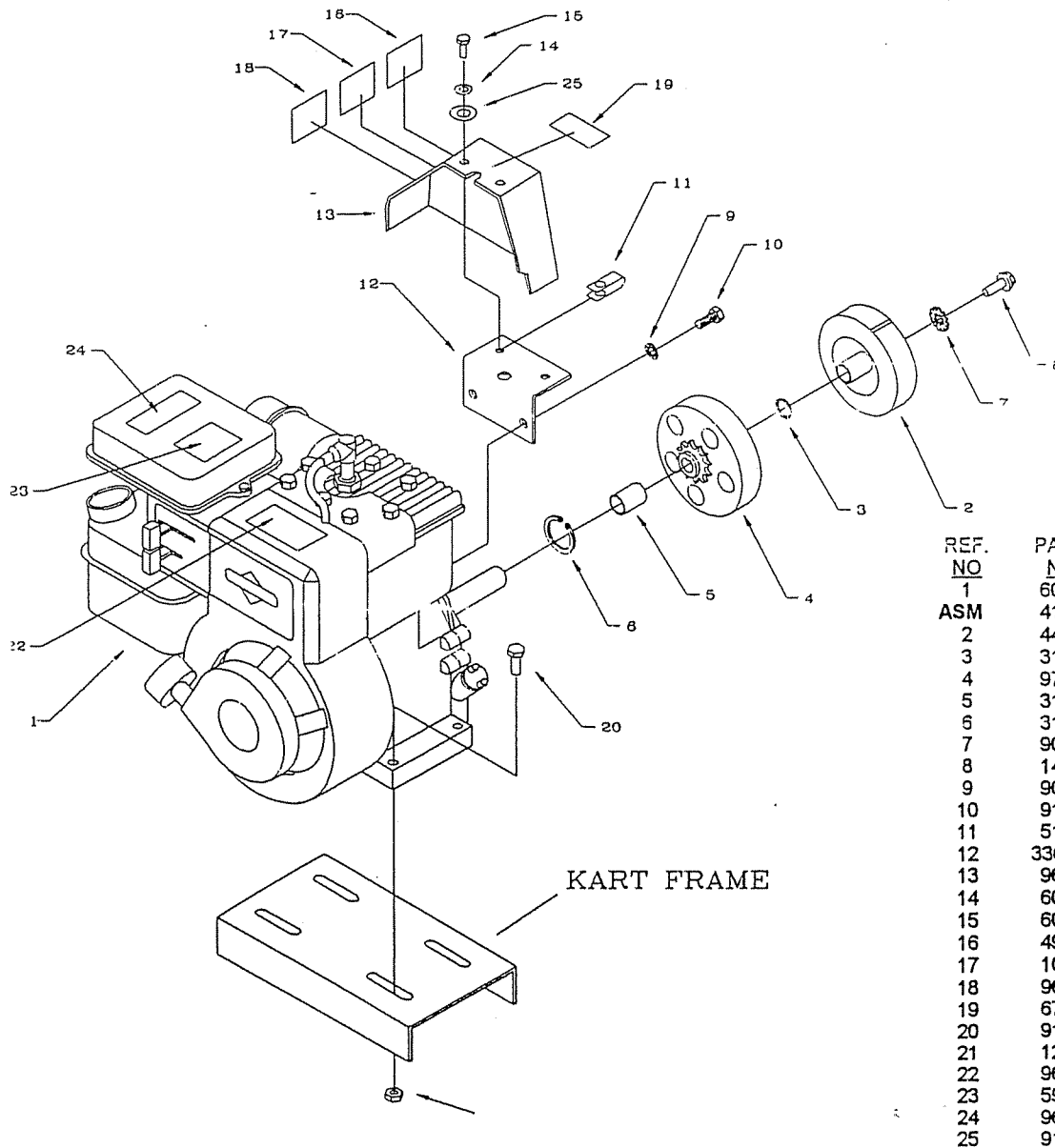
* = Specify Black, Pink, White, or Yellow



CALIPER BREAKDOWN



REF. NO	PART NO	DESCRIPTION
ASM	9597	Brake Caliper (incl. 55-65)
ASM	9810	Brake Pad Svc Kit (incl. 55-57)
1	*	Anvil w/Lining
2	*	Brake Lining
3	3928	Backing Plate
4	3930	Actuator Pin
5	3931	Adjuster Pin
6	3932	Nut, Jam
7	9158	Bolt, 3/8-16 x 2-1/4"
8	9085	Nut, 3/8-16 Toplock
ASM	6534	MB-1 Service Kit (incl. 63-65)
9	*	Groove Pin
10	*	Lever
11	*	Brake Housing



REF. NO	PART NO	DESCRIPTION
1	6010	Engine, 5hp
ASM	4195	Clutch Assembly (inc. 2-6)
2	4496	Clutch Rotor
3	3146	Washer, Fiber
4	9781	Drum w/ Sprocket (inc. 5)
5	3143	Bushing
6	3141	Snap Ring
7	9001	Washer, 3/8" Int/Ext Lock
8	1491	Bolt, 5/16-24 x .75"
9	9030	Washer, 5/16 Int/Ext Lock
10	9101	Bolt, 5/16-24 x .50"
11	5135	Clip Nut
12	3363-2	Bracket, Chainguard Mtg.
13	9699	Chainguard
14	6039	Washer, #10 Lock
15	6046	Screw, #10-24 x .50"
16	4912	Decal, Warning
17	1049	Decal, Caution
18	9610	Decal, Tire Pressure
19	6791	Decal, Oil Clutch
20	9186	Bolt, 5/16-18 x 1.50"
21	1263	Nut, 5/16-18 Whiz Flange
22	9678	Decal, Engine Exhaust
23	5964	Decal, Oil Warning
24	9677	Decal, Hot Surfaces
25	9104	Washer, No. 10 Flat

* = Not Available Separately
 ASM = Assembly
 NI = Not Illustrated