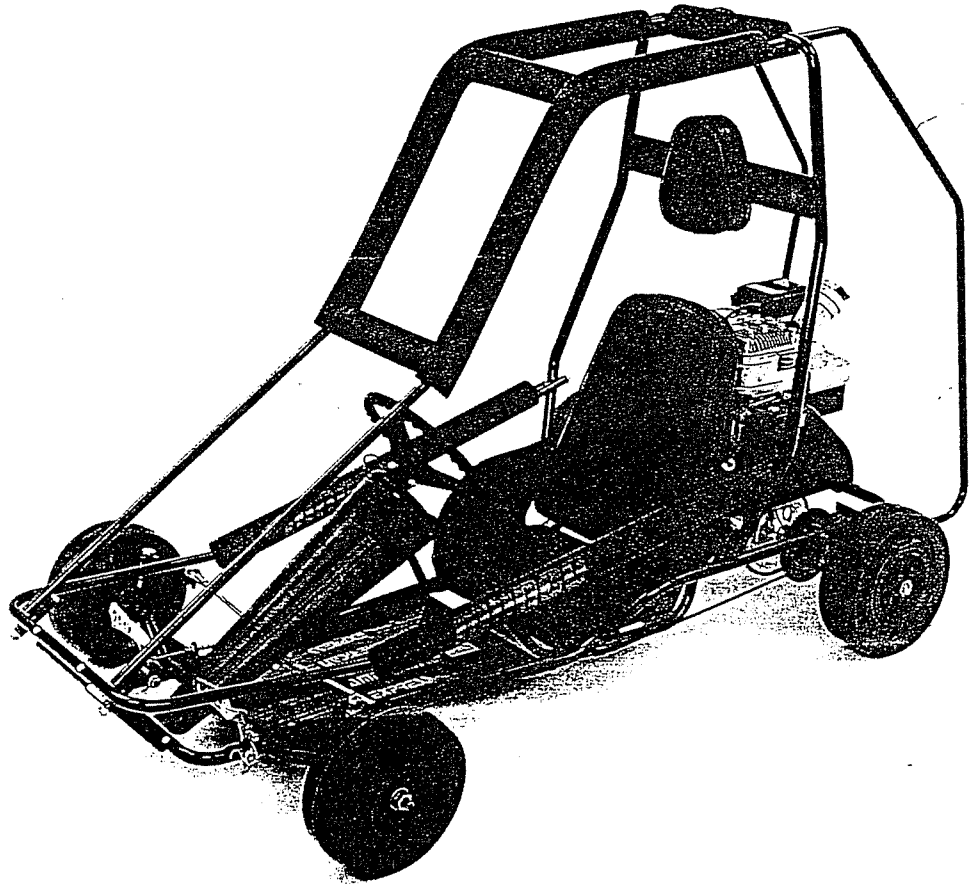


Operator's Manual SUPPLEMENT

MODEL 225-12, 22

WARNING:
Read Engine
Owner's Manual,
Vehicle Operator's
Manual, and
Supplement
Carefully Before
Operating
Vehicle.

Parts List



**THIS VEHICLE IS FOR
OFF-ROAD USE ONLY**

BEFORE OPERATING THIS VEHICLE, THE OWNER AND/OR OPERATOR MUST UNDERSTAND THE VEHICLE WAS NOT DESIGNED OR MANUFACTURED TO MEET SPECIFICATIONS FOR USE ON PUBLIC ROADS, STREETS, HIGHWAYS, OR THOROUGHFARES AND HAVE READ AND HAVE AN UNDERSTANDING OF ALL THE INSTRUCTIONS FOR SAFE ASSEMBLY AND OPERATION AS WELL AS THE INSTRUCTIONS GOVERNING THE ENGINE AND OTHER PORTIONS OF THE VEHICLE.

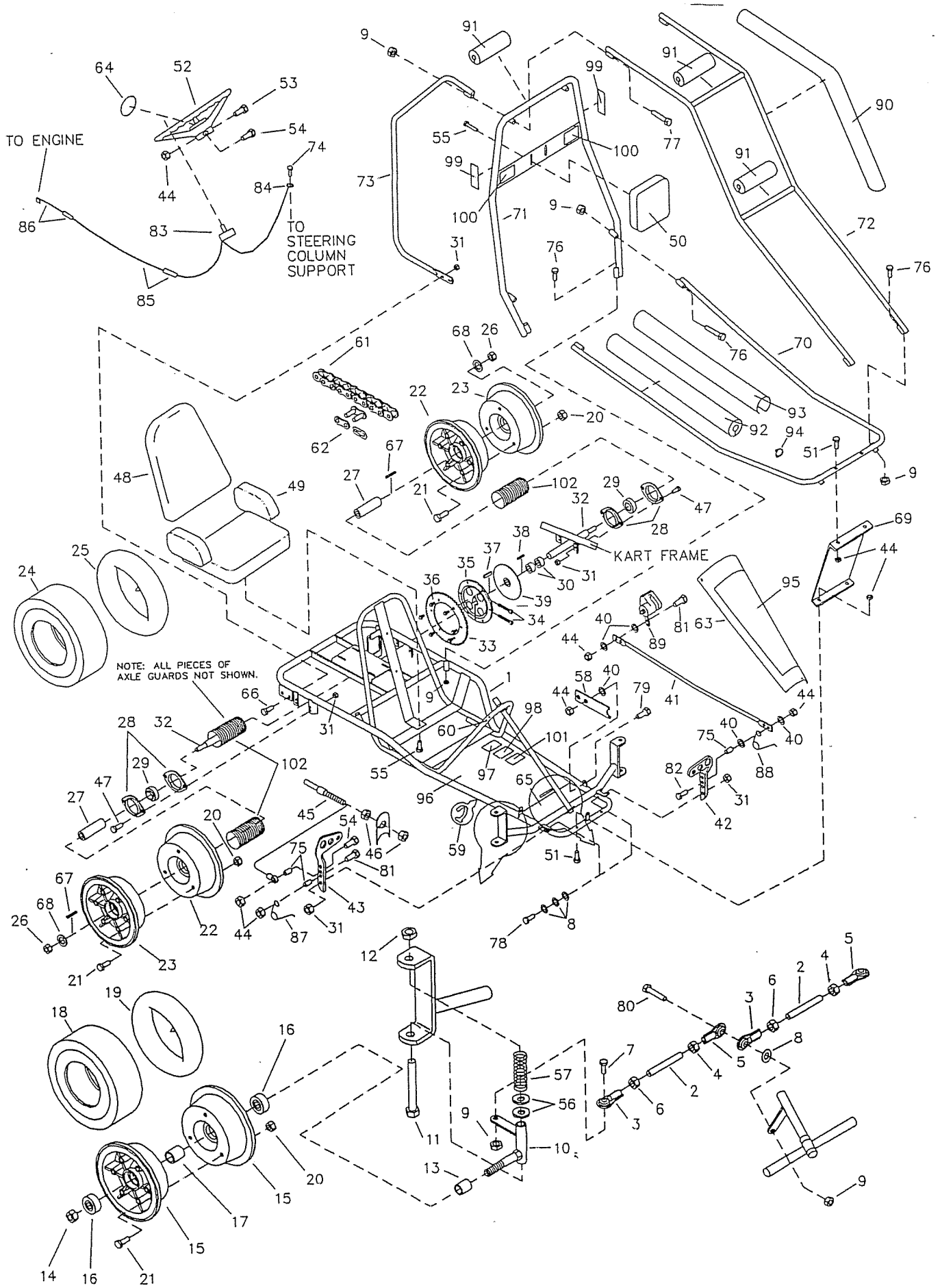
REPAIR PARTS - MODEL 225-12

REF. NO.	PART NO.	DESCRIPTION	REF. NO.	PART NO.	DESCRIPTION
	1	9742-2	59	1019	Ty-Wrap
ASM	1464	Frame—	60	1463	Bushing, Plastic
2	1465	Tie Rod Assembly (incl. 2-6)	61	9518	Chain, #35 x 81P (incl. 62)
3	1415	Tie Rod	62	1269	Master Link, #35
4	9092	Rod End - Left Hand Thread	63	2257	Custom Cover
5	1414	Rod End - Right Hand Thread	64	3296	Decal, Steering Wheel
6	9024	Nut, 3/8-24 Right Hand Thread	65	1441	Scuff Pad, Floor Pan
7	9146	Nut, 3/8-24 Left Hand Thread	66	9176	Bolt, 5/16-18 x 1"
8	9091	Bolt, 3/8-16 x 1-1/2"	67	6123	Key, 1/4" Square x 1-3/4"
9	9085	Washer, 3/8 Flat	68	1194	Washer, 3/4" Flat
10	2457	Nut, 3/8-16 Lock	69	1607	Front Plate
NI	2458	Spindle - Right Side	70	9748-2	Front Bar
11	5682	Spindle - Left Side	71	9746-2	Center Bar
12	1012	Bolt, 1/2-13 x 5-1/2"	72	9749-2	Overhead Bar
13	1104	Nut, 1/2-13 Toplock	73	9747-2	Rear Upright
14	1046	Spacer, 5/8" x 1"	74	9796	Screw, 12-24 x 1/2" Self Tapping
ASM	4553	Nut, 5/8-11 Toplock	75	1389	Bushing
ASM	6099	Frt. Wheel Assembly (incl. 15-21)	76	2386	Bolt, 3/8-16 x 3-1/2"
15	5158	Rear Wheel Assembly (incl. 20-25)	77	6452	Bolt, 3/8-16 x 5"
16	1093	Wheel Half, 4"	78	1447	Bolt, 5/16-18 x 1-3/4" Shoulder
17	5949	Bearing	79	1846	Bolt, 1/4-20 x 3/4"
18	1751	Spanner	80	9145	Bolt, 3/8-16 x 1-3/4"
19	1053	Tire, 4.10-3.50 x 4 Slick	81	1847	Bolt, 1/4-20 x 1"
20	1186	Tube, 4.10-3.50 x 4	82	1848	Bolt, 1/4-20 x 1-1/4"
21	5839	Nut, 1/4-20 Whiz Flange	ASM	9799	Stop Switch Asm (incl. 83-85)
22	5127	Bolt, 1/4-20 x 3/4" Whiz Flange	83	1392	Stop Switch
23	5128	Wheel Half, 5" Inner	84	1393	Ring Terminal
24	6035	Wheel Half, 5" Outer	85	1394	Wire, 50" with Splice Connector
25	1753	Tire, 4.10-3.50 x 5	86	1406	Wire, to Engine
26	9162	Tube, 4.10-3.50 x 5	87	9502	Spring, Left Wound
27	2069	Nut, 3/4-10 Toplock	88	9503	Spring, Right Wound
28	1760	Spacer, 1" ID x 2-7/8"	89	9597	Caliper (see Caliper Breakdown)
29	3941	Bearing Flange	ASM	9798*	Foam Replacement Kit (incl. 90-92)
30	2265	Bearing	90	9758*	Foam, 43"
31	1189	Spacer, 1" ID x 3/4"	91	9808*	Foam, 10"
32	9769	Nut, 5/16-18 Toplock	92	9759*	Foam, 30"
ASM	5152	Axle	93	9856	Cover, 30" MANCO
33	1420	Sprocket Assembly (incl. 33-36)	94	9776	Clamp, 3/4"
34	6701	Sprocket, 60 Teeth #35 Chain	95	6105	Decal, Custom Cover
35	6280	Bolt, 5/16-18 Socket Head	96	6104	Decal, Floor Pan
36	1876	Sprocket Hub	97	2832	Decal, Warning - No Passengers
37	9680	Bolt, 1/4-20 x 5/8" Whiz	98	4504	Decal, Warning - Yellow
38	1775	Key, 1/4" x 3/8" x 1-1/4" Long	99	6540	Decal, Warning: Wear Helmet
39	9511	Key, 1/4" Square x 1-1/4" Long	100	8138	Decal, Warning: Entanglement
40	1854	Brake Rotor	101	8154	Decal, Age Restriction
41	9744-2	Washer, #14 Flat	102	K225-12	Axle Guard Repair Kit
42	1436	Brake Rod	NI	2601	Engine Owner's Manual
43	1437	Brake Pedal	NI	9201	Vehicle Operator's Manual
44	9057	Throttle Pedal	NI	9247R3	Assembly Instructions
45	1390	Nut, 1/4-20 Toplock			
46	9058	Throttle Cable (incl. 46)			
47	2264	Nut, 5/16-24 Jam			
48	5159	Bolt, 5/16-18 x 3/4"			
49	5160	Seat Back			
50	6320	Seat Bottom			
51	1849	Headrest Pad			
52	6038	Bolt, 1/4-20 x 1-1/2"			
53	9080	Steering Wheel			
54	9160	Bolt, 1/4-20 x 2-3/4"			
55	5839	Bolt, 1/4-20 x 7/8" with Nylock			
56	9022	Bolt, 1/4-20 x 3/4" Whiz Flange			
57	5681	Washer, 1/2" Flat			
58	1982	Spring			
		Pedal Latch			

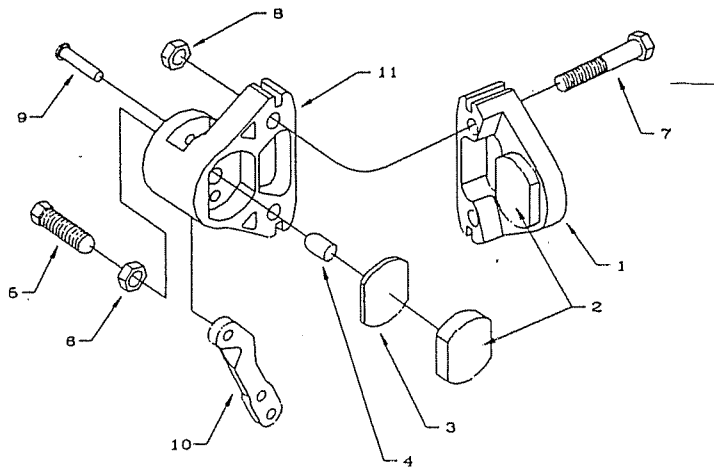
ASM = Assembly

NI = Not Illustrated

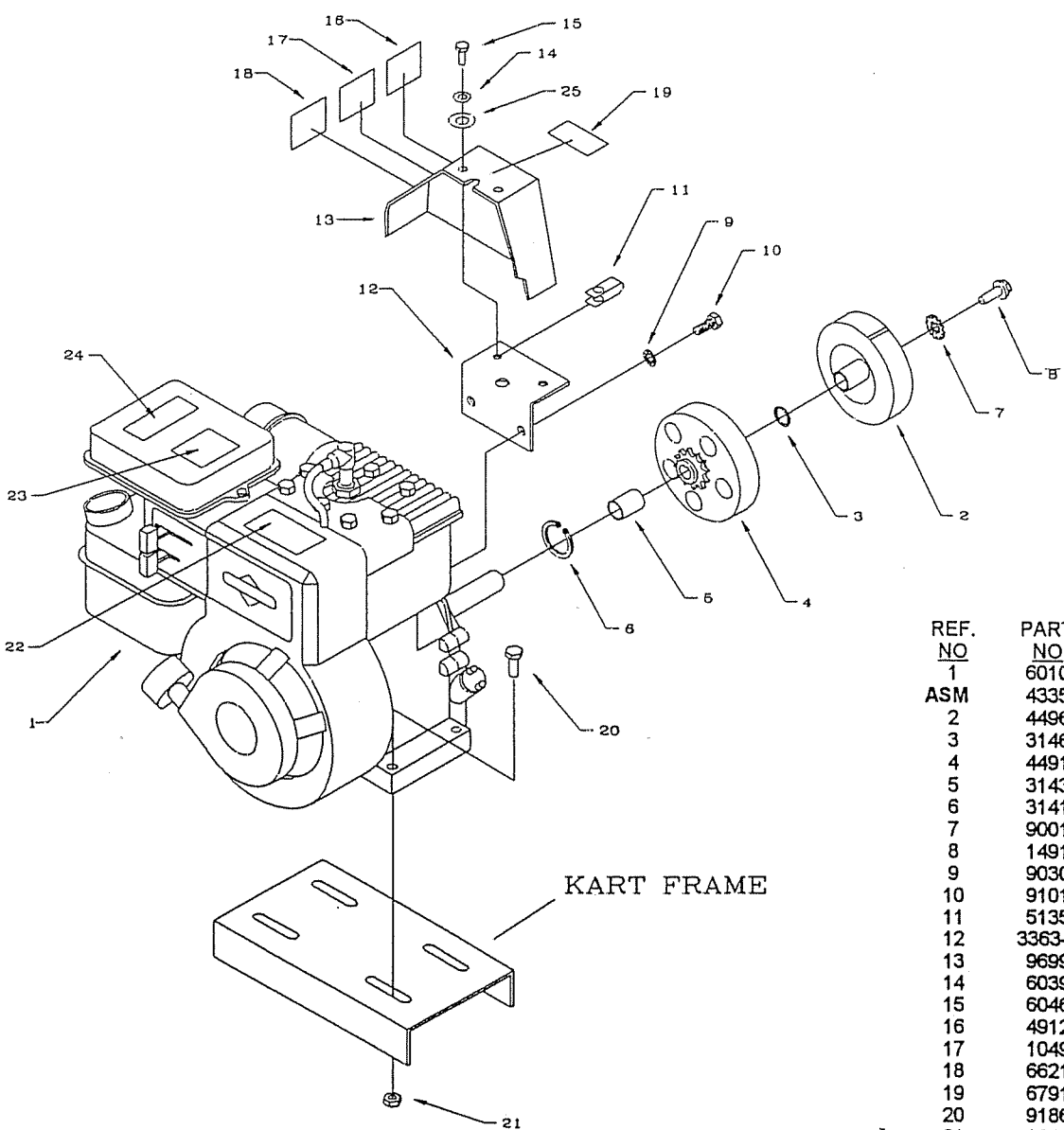
* = Specify Black, Pink, White, or Yellow



CALIPER BREAKDOWN



REF. NO	PART NO	DESCRIPTION
ASM	9597	Brake Caliper (incl. 55-65)
ASM	9810	Brake Pad Svc Kit (incl. 55-57)
1	*	Anvil w/Lining
2	*	Brake Lining
3	3928	Backing Plate
4	3930	Actuator Pin
5	3931	Adjuster Pin
6	3932	Nut, Jam
7	9158	Bolt, 3/8-16 x 2-1/4"
8	9085	Nut, 3/8-16 Toplock
ASM	6534	MB-1 Service Kit (incl. 63-65)
9	*	Groove Pin
10	*	Lever
11	*	Brake Housing



REF. NO	PART NO	DESCRIPTION
1	6010	Engine, 5hp
ASM	4335	Clutch Assembly (inc. 2-6)
2	4496	Clutch Rotor
3	3146	Washer, Fiber
4	4491	Drum w/ Sprocket (inc. 5)
5	3143	Bushing
6	3141	Snap Ring
7	9001	Washer, 3/8" Int/Ext Lock
8	1491	Bolt, 5/16-24 x .75"
9	9030	Washer, 5/16 Int/Ext Lock
10	9101	Bolt, 5/16-24 x .50"
11	5135	Clip Nut
12	3363-2	Bracket, Chainguard Mtg.
13	9699	Chainguard
14	6039	Washer, #10 Lock
15	6046	Screw, #10-24 x .50"
16	4912	Decal, Warning
17	1049	Decal, Caution
18	6621	Decal, Tire Pressure
19	6791	Decal, Oil Clutch
20	9186	Bolt, 5/16-18 x 1.50"
21	1263	Nut, 5/16-18 Whiz Flange
22	9678	Decal, Engine Exhaust
23	5964	Decal, Oil Warning
24	9677	Decal, Hot Surfaces
25	9104	Washer, No. 10 Flat

* = Not Available Separately
 ASM = Assembly
 NI = Not Illustrated