

Operator's Manual
SUPPLEMENT
Model No. 203X-XX

⚠ WARNING:

Read Engine
Owner's Manual,
Vehicle Operator's
Manual, and
Supplement
Carefully Before
Operating Vehicle.

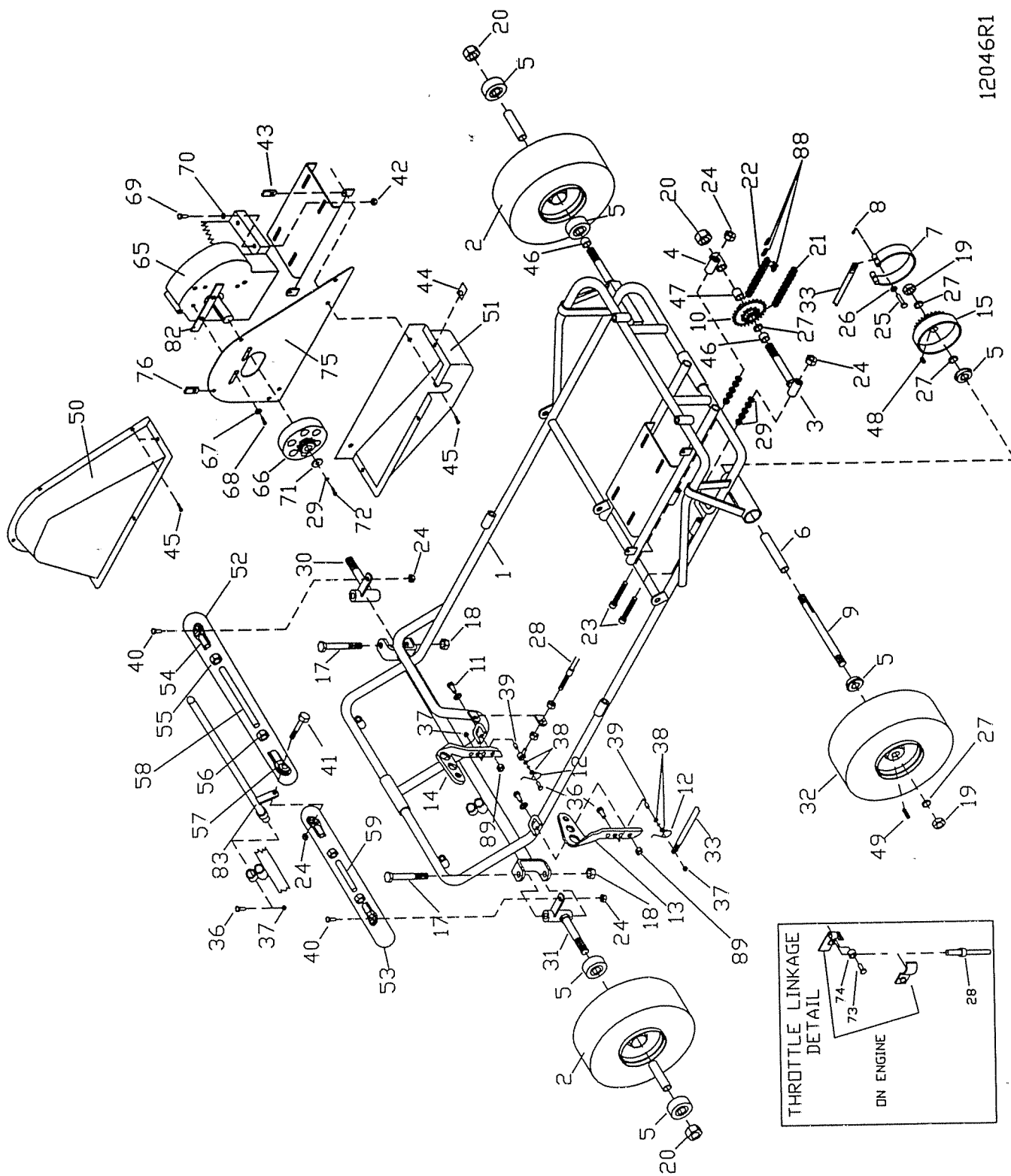
Parts List

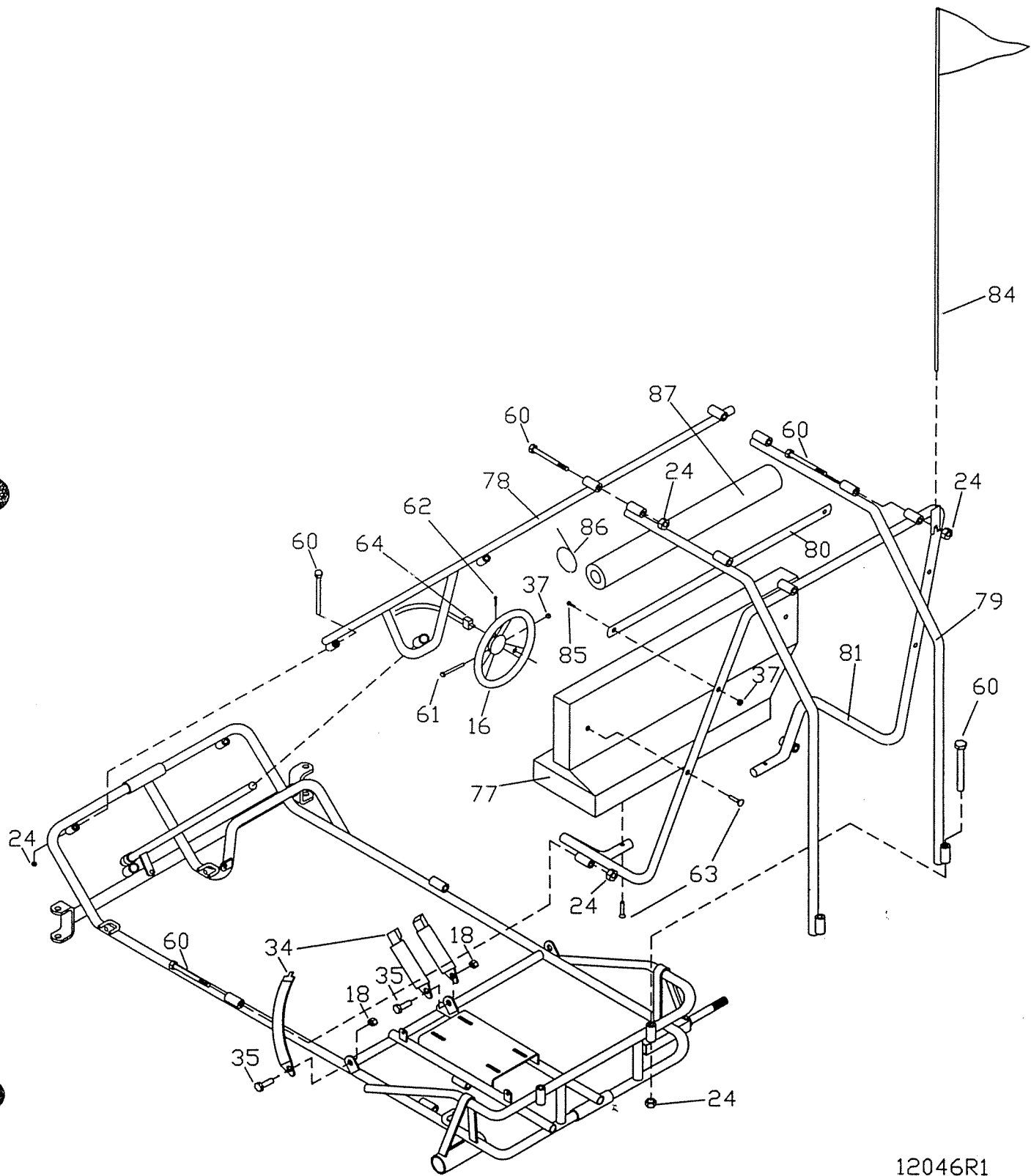


4404 Engle Ridge Drive, Fort Wayne, IN 46804
ph (219) 432-1596 fx (219) 432-7870

**THIS VEHICLE IS FOR
OFF-ROAD USE ONLY**

BEFORE OPERATING THIS VEHICLE, THE OWNER AND/OR OPERATOR MUST UNDERSTAND THE VEHICLE WAS NOT DESIGNED OR MANUFACTURED TO MEET SPECIFICATIONS FOR USE ON STREETS, HIGHWAYS, OR THOROUGHFARES AND HAVE READ AND HAVE AN UNDERSTANDING OF ALL THE INSTRUCTIONS FOR SAFE ASSEMBLY AND OPERATION AS WELL AS THE INSTRUCTIONS GOVERNING THE ENGINE AND OTHER PORTIONS OF THE VEHICLE.





12046R1

PARTS LIST

MODEL 203-XX

REF NO	PART NO	DESCRIPTION	REF NO	PART NO	DESCRIPTION
1	11987-5	FRAME 203 RED	53	4358	TIE ROD ASM SHORT
2	11989	WH ASM 4" STL WH 4.10 X 3.50 STD	54	1414	ROD END, RH THREAD
NI	1053	TUBE 4.10/3.50-4 TUBE	55	9092	NUT 3/8-24 JAM RH
NI	2244	TIRE 4.10/3.50-4 STUD	56	9024	NUT 3/8-24 JAM LH
3	12084-2	REDUCER SHAFT WDMT - GBLK	57	1415	ROD END, LH THREAD
4	12085-2	SHAFT SUPPORT GBLK	58	5003	TIE ROD LONG
5	5090	BEARING 5/8ID 1-3/8 OD SNAP RING	59	4356	TIE ROD SHORT
6	1116	SPANNER .625 X 11G X 4.188	60	2386	BOLT 3/8-16X3.5 HHCS G5 Z
7	1036	BRAKE BAND W,RETAINER	61	9080	BOLT 1.4-20X2.75 HHCS G2 Z
8	9116	PIN COTTER 3/32 X .750 Z	62	9160	BOLT 1/4-20X.875 HHCS NL G5 Z
9	1118	JACKSHAFT 5/8 X 10.000	63	12102	BOLT 1/4-20X1.25 M SCREW PHIL.
10	12086	SPROCKET 36/12T #35 5/8ID	64	12098	STOP WIRE ASSY 203B
11	9110	BOLT 5/16-18X5/8THD 3/8X7/8SHLDR	65	1026C	ENGINE 3.5HP TEC CARB APP-KART
12	9503	SPRING PEDAL RIGHT WOUND	66	4335	CLUTCH .75ID SGL SPKT MAX T
13	6293-16	PEDAL BRAKE ZINC PLTD	67	9060	WASHER 5/16 TYPE A PLAIN
14	6309-16	PEDAL THROTTLE ZINC PLTD	68	9101	BOLT 5/16-24 X .500 HHCS G5 NL
15	12087	SPROCKET 36T#35 W/DRUM 5/8ID	69	9186	BOLT 5/16-18 X 1.500 HHCS G5 Z
16	6038	STEERING WHEEL	70	9030	WASHER 5/16 IL Z
17	1264	BOLT 1/2-13 X 3.750 HHCS G2 Z	71	8186	WASHER .391ID X 1.25OOD X .12
18	1012	NUT 1/2-13 TL HEX Z	72	9073	BOLT 3/8-24 X .750 HHCS G5 BLK
19	1136	NUT 5/8-18 CL HEX JAM Z	73	2666	SWIVEL SCREW
20	1046	NUT 5/8-11 TL HEX Z	74	2748	CABLE STOP NUT
21	12088	CHAIN 35 X 46 PITCH W/MASTER	75	12092-2	PLATE COVER 203 GBLK
22	12089	CHAIN 35 X 64 PITCH W/MASTER	76	8227	NUT 1/4-20 CLIP
23	2385	BOLT 3/8-16 X 4.000 FULL THRD	77	11868	SEAT BOTTOM/BACK - OPP
24	9085	NUT 3/8-16 TL HEX Z	78	11963-2	OVERHEAD BAR WDMT - GBLK
25	9118	PIN CLEVIS 1/4 X 1.250 Z	79	11962-2	REAR BAR WDMT - GBLK
26	9872	WASHER 1/4 TYPE B WIDE PLAIN	80	11876-2	HEAD REST STRAP GBLK
27	1119	SPACER .625ID 1.062OD .125THK Z	81	12036-2	CENTER BAR WDMT 203 - GBLK
28	8252	THROTTLE CABLE 61 IN	82	12117	COVER PLATE
29	1130	WASHER 3/8 SL Z	83	12081-2	STEERING COLUMN WDMT 203
30	12032-2Z	SPINDLE WDMT RH -GBLK W/ZERK	84	8445	FLAG SAFETY W/ BRKT 3FT
31	12033-2Z	SPINDLE WDMT LH - GBLK W/ZERK	85	1848	BOLT 1/4-20 X 1.250 HHCS G5 Z
32	12094	WH ASM 4IN STL DR WH 4.10 X 3.50	86	1019	CABLE TIE - BIG BLACK T40ROW
33	12095-2	BRAKE ROD 203B - GBLK	87	12101	FOAM 2.25 X 1.125 X 20" BLACK
34	8850	LAP BELT 1 12X36 W12 BLK SLEEVE	88	1269	MASTER LINK 35
35	9188	BOLT 1/2-13 X 1.50 HHCS G5 Z	89	1189	NUT 5/16-18 TL Z
36	1848	BOLT 1/4-20 X 1.250 HHCS G5 Z		11330	DECAL SHEET - WARNINGS LARGE
37	9057	NUT 1/4-20 TL Z		12023	DECAL NO CHILDREN UNDER 6 YRS
38	1854	WASHER NBR 14 FLAT MS Z		12008	DECAL SHEET - WARNINGS SMALL
39	1389	BUSHING .25ID X .031G X .313			
NI	9929	RUBBER CAP .25ID X .25 BLACK			
40	9146	BOLT 3/8-16 X 1.500 HHCS G5 Z			
41	9145	BOLT 3/8-16 X 1.750 HHCS G5 Z			
42	1263	NUT 5/16-18 HEX WF Z			
43	2449	NUT TINNEMAN C7343-1420-4			
44	11824	NUT TINNEMAN 2372-04			
45	1876	BOLT 1/4-20 X .625 HH WF Z			
46	12093	BUSHING 5/8 ID X 1/2" L Z			
47	5157-16	SPACER SPLIT .812OD .625ID 750L			
48	1031	KEY 3/16SQ X .500L			
49	3403	KEY 3/16SQ X 2.000			
50	12096	COVER DRIVE 203			
51	12097	COVER BOTTOM 203			
52	4359	TIE ROD ASM LONG			

MODEL SPECIFIC GRAPHICS

IN	12030	DECAL SHEET - 203B-01; 203D-01; 203B-02; 203D-02 HELMET; HEADREST; ST. WHEEL; FLOOR PAN
IN	12041	HANG TAG - 203B-01; 203D-01; 203B-02; 203D-02
IN	12051	DECAL SHEET - 203B-06; 203D-06 HELMET; HEADREST; ST. WHEEL; FLOOR PAN
IN	12052	HANG TAG - 203B-06; 203D-06