

FUN-KART
Operator's Manual
Supplement

 **WARNING:**

Read Engine
Owner's Manual,
Vehicle Operator's
Manual, and
Supplement
Carefully Before
Operating Vehicle.

This Supplement
must be used in
conjunction with the
above manuals.

ASSEMBLY INSTRUCTIONS
for
Model 103

**THIS VEHICLE IS FOR
OFF-ROAD USE ONLY**

BEFORE OPERATING THIS VEHICLE, THE OWNER AND/OR OPERATOR MUST UNDERSTAND THE VEHICLE WAS NOT DESIGNED OR MANUFACTURED TO MEET SPECIFICATIONS FOR USE ON PUBLIC ROADS, STREETS, HIGHWAYS, OR THOROUGHFARES AND HAVE READ AND HAVE AN UNDERSTANDING OF ALL THE INSTRUCTIONS FOR SAFE ASSEMBLY AND OPERATION AS WELL AS THE INSTRUCTIONS GOVERNING THE ENGINE AND OTHER PORTIONS OF THE VEHICLE.

PARTS LIST

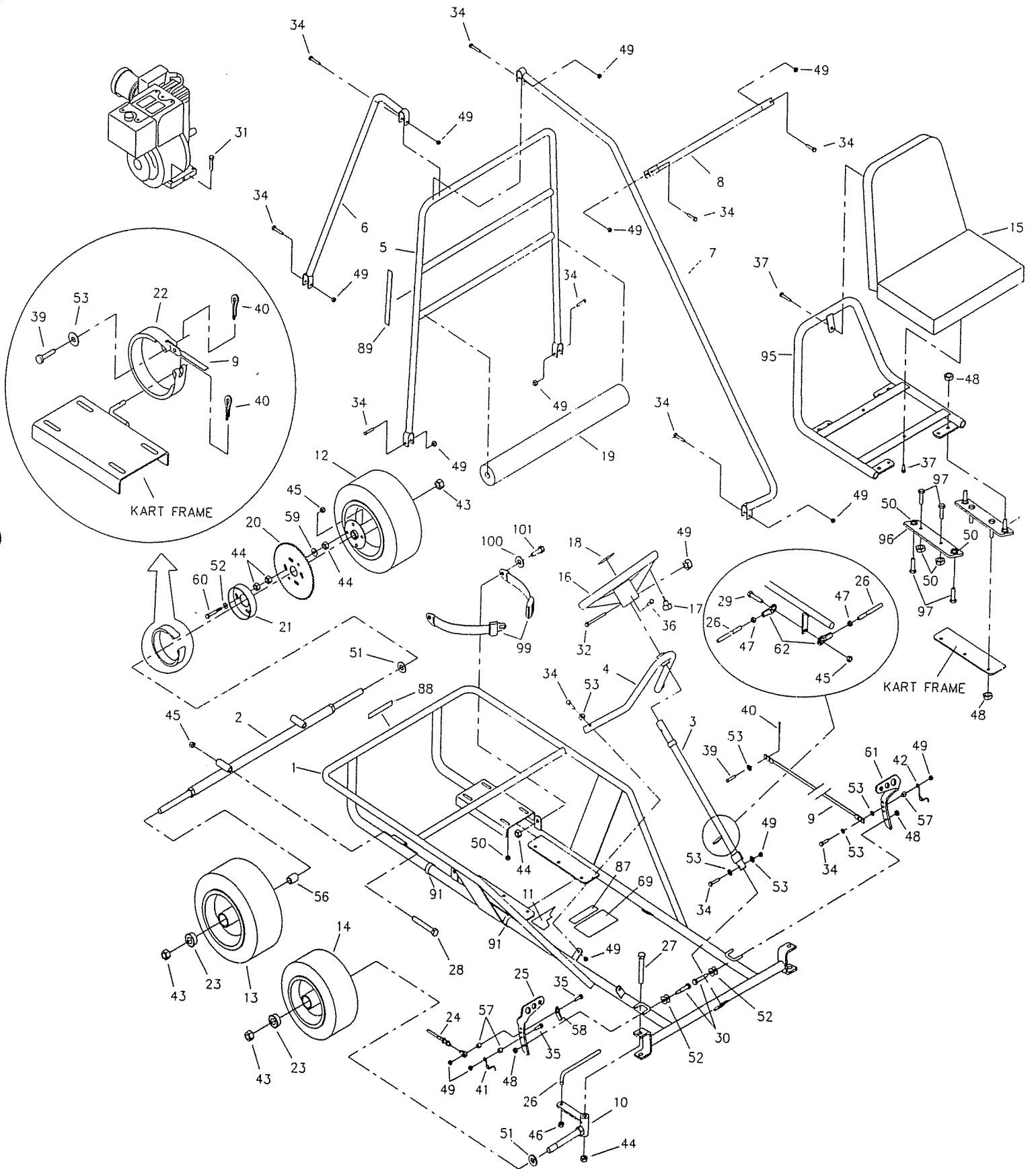
| REF NO | PART NO | DESCRIPTION | REF NO | PART NO | DESCRIPTION |
|--------|---------|----------------------------------|--------|---------|-------------------------------------|
| 1 | 8466-** | Frame | 49 | 9057 | Nut, 1/4-20 Toplock |
| 2 | 8461-** | Rear Axle | 50 | 1263 | Nut, 5/16-18 Flanged Whiz |
| 3 | 8477-** | Steering Column | 51 | 1119 | Washer, 5/8" ID Flat |
| 4 | 8487-** | Steering Column Support | 52 | 9091 | Washer, 3/8" ID Flat |
| 5 | 8479-** | Center Bar | 53 | 1854 | Washer, #14 Flat |
| 6 | 8472-** | Rear Bar | 54 | 9104 | Washer, #10 Flat |
| 7 | 8480-** | Front Bar | 55 | 6039 | Washer, #10 Internal Lock |
| 8 | 8485-** | Cross Bar | 56 | 4266 | Spacer, 5/8" ID x 1-1/8" |
| 9 | 8488-** | Brake Rod | 57 | 1389 | Spacer, 1/4" ID x 5/16" |
| 10 | 8931-** | Spindle, Right Hand | 58 | 8849 | Throttle Pedal Restrictor |
| NI | 8932-** | Spindle, Left Hand | 59 | 8186 | Spacer, 3/8" ID x 1/8" |
| 11 | 8848 | Floor Pan Decal | 60 | PX3198 | Bolt, 3/8-16 x 2-3/4" |
| | 8597 | Floor Pan Decal (103-16) | 61 | 1436 | Brake Pedal |
| 12 | 8456 | Drive Wheel Assembly, 5-inch | 62 | 1414 | Ball End, Right Hand |
| | 2246 | Tire, 4.10 x 3.50 - 5 Knobby | 63 | 9926-2 | Speed Reducer Chassis |
| 13 | 8457 | Idle Wheel Assembly, 5-inch | 64 | 4335 | Clutch, 35 x 12-tooth |
| | 2246 | Tire, 4.10 x 3.50 - 5 Knobby | 65 | 9927 | Jackshaft |
| 14 | 8458 | Front Wheel Assembly, 4-inch | 66 | 5949 | Spanner, 1-13/16" Long |
| | 2244 | Tire, 4.10 x 3.50 - 4 Knobby | 67 | 3504 | Sprocket, 35 x 12-tooth |
| 15 | 8482 | Seat Back/Bottom | 68 | 6570 | Sprocket, 35 x 26-tooth |
| 16 | 6038 | Steering Wheel | 69 | 4504 | Decal, Yellow Warning |
| 17 | 8535 | Stop Switch Assembly | 70 | 1031 | Key, 3/16" Square x 1/2" |
| 18 | 3296 | Steering Wheel Decal (103-10) | 71 | 3363-2 | Chain Guard Mounting Bracket |
| | 5946 | Steering Wheel Decal (103-19) | 72 | 9788 | Chain, 35 x 58 Links w/ Master Link |
| 19 | 9762B | Foam, 60-inch Black | 73 | 9073 | Bolt, 3/8-24 x 3/4" |
| 20 | 8007 | Sprocket, 60-tooth | 74 | 1130 | Washer, 3/8 Split Lock |
| 21 | 1246 | Brake Drum | 75 | 1194 | Washer, 3/4" Flat |
| 22 | 1036 | Brake Band | 76 | 1491 | Bolt, 5/16-24 x 3/4" |
| 23 | 5090 | Bearing | 77 | 9060 | Washer, 5/16" Flat |
| 24 | 1390 | Throttle Cable | 78 | 5135 | Tinnerman Nut, #10-24 |
| 25 | 1437 | Throttle Pedal | 79 | 1026 | Engine, Tecumseh 3.5 HP |
| 26 | 4353 | Tie Rod | 80 | 9677 | Decal, Hot Surfaces Warning |
| 27 | 1264 | Bolt, 1/2-13 x 3-3/4" | 81 | 9678 | Decal, Exhaust Warning |
| 28 | 2386 | Bolt, 3/8-16 x 3-1/2" | 82 | 8138 | Decal, Long Hair Warning |
| 29 | 9145 | Bolt, 3/8-16 x 1-3/4" | 83 | 4912 | Decal, Guard Must Remain... |
| 30 | 1447 | Bolt, 3/8 x 7/8 Shoulder | 84 | 1049 | Decal, Do Not Put Foot... |
| 31 | 9186 | Bolt, 5/16-18 x 1-1/2" | 85 | 6621 | Decal, Tire Pressures |
| 32 | 9080 | Bolt, 1/4-20 x 2-3/4" | 86 | 6791 | Decal, Oil Clutch Here |
| 33 | 1849 | Bolt, 1/4-20 x 1-1/2" | 87 | 2832 | Decal, No Passengers |
| 34 | 1848 | Bolt, 1/4-20 x 1-1/4" | 88 | 9679 | Decal, No Riders Allowed |
| 35 | 1847 | Bolt, 1/4-20 x 1" | 89 | 6540 | Decal, Helmet Warning |
| 36 | 9160 | Bolt, 1/4-20 x 7/8" | 90 | 9734 | Chain Guard |
| 37 | 1876 | Bolt, 1/4-20 x 5/8" Flanged Whiz | 91 | 1019 | Cable Tie |
| 38 | 6046 | Bolt, #10-24 x 1/2" | 92 | 1018 | Cable Stop |
| 39 | 9118 | Clevis Pin, 1/4" x 1-1/4" | 93 | 8445 | Whip Flag |
| 40 | 9116 | Cotter Pin, 3/32" x 3/4" | 94 | 6073 | Chain, 35 x 72 Links w/ Master Link |
| 41 | 9502 | Pedal Spring, Left Wound | 95 | 8846-** | Seat Frame |
| 42 | 9503 | Pedal Spring, Right Wound | 96 | 6983-2 | Seat Adjuster Plate |
| 43 | 1046 | Nut, 5/8-11 Toplock | 97 | 9176 | Bolt, 5/16-18 x 1" |
| 44 | 1012 | Nut, 1/2-13 Toplock | 98 | 8132 | Seat Riser (incl. 50, 96-97) |
| 45 | 9085 | Nut, 3/8-16 Toplock | 99 | 8850 | Seat Belt |
| 46 | 9123 | Nut, 3/8-24 Toplock | 100 | 9022 | Washer, 1/2" ID Flat |
| 47 | 9092 | Nut, 3/8-24 Jam | 101 | 9188 | Bolt, 1/2-13 x 1-1/4" |
| 48 | 1189 | Nut, 5/16-18 Toplock | | | |

** - Specify Color

ASM = Assembly

NI = Not Illustrated

EXPLODED VIEW - KART ASSEMBLY



EXPLODED VIEW - ENGINE ASSEMBLY

