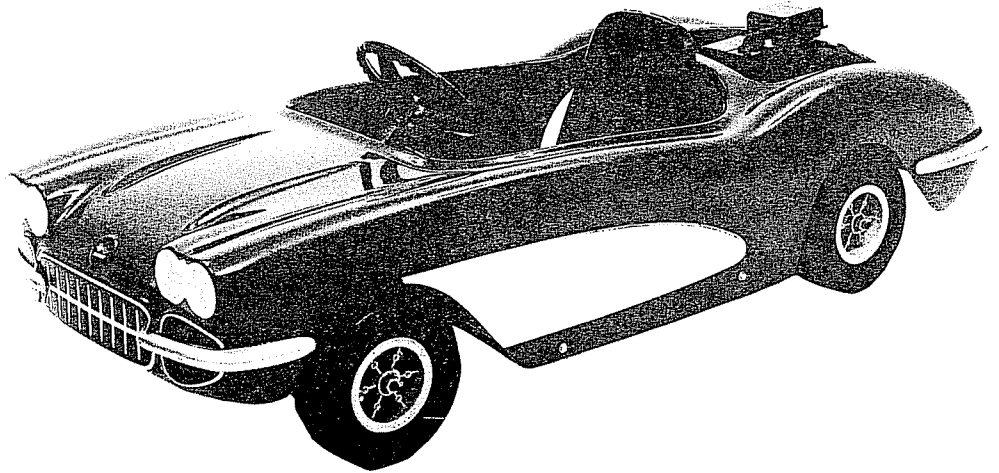


Operator's Manual SUPPLEMENT

MODEL NO.
703-01

WARNING:
Read Engine
Owner's Manual,
Vehicle Operator's
Manual, and
Supplement
Carefully Before
Operating
Vehicle.

Parts List

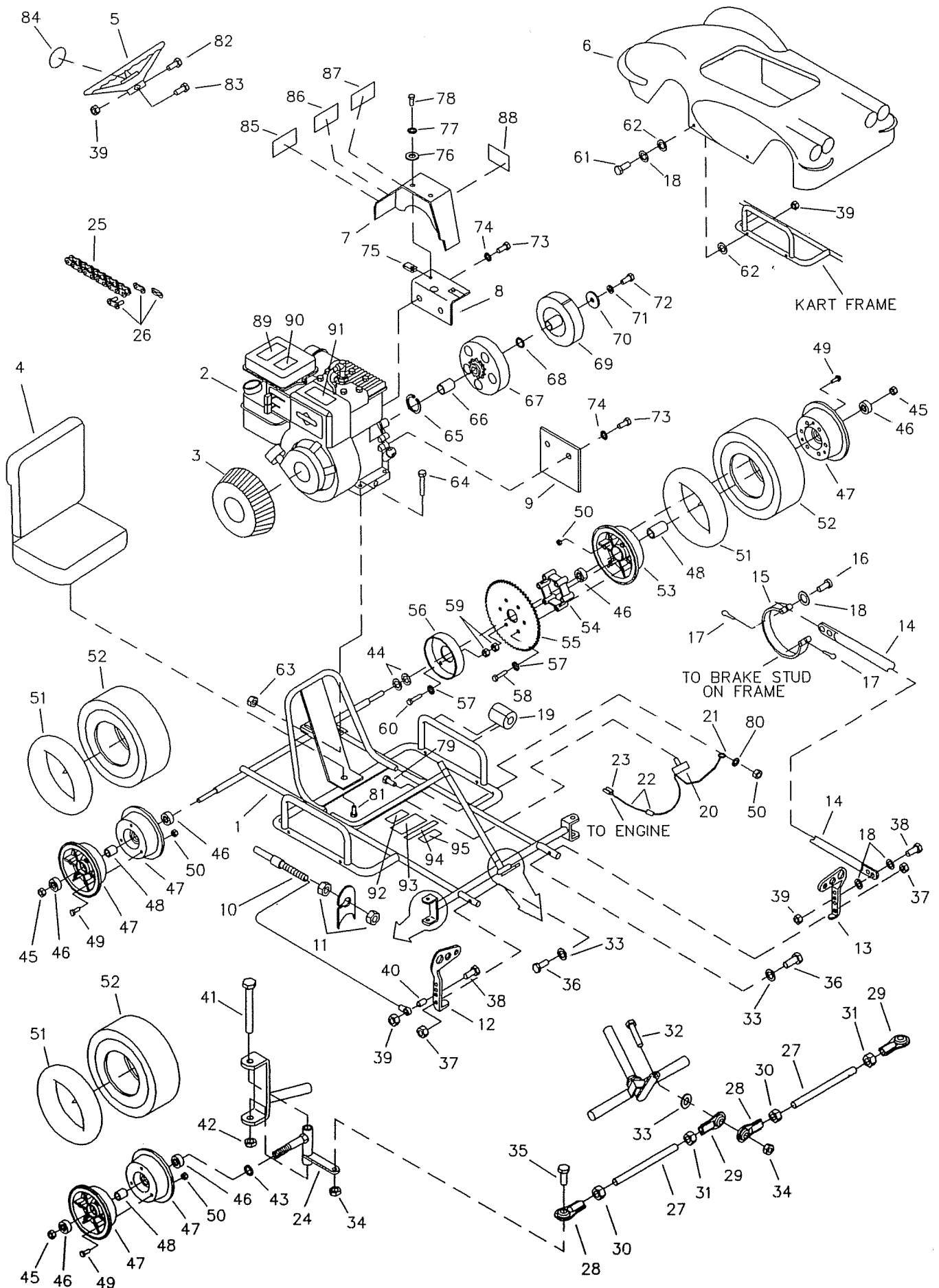


MANCO
PRODUCTS, INC.

4404 Engle Ridge Drive Ft. Wayne, Indiana 46804 219-432-1596

**THIS VEHICLE IS FOR
OFF-ROAD USE ONLY**

BEFORE OPERATING THIS VEHICLE, THE OWNER AND/OR OPERATOR MUST UNDERSTAND THE VEHICLE WAS NOT DESIGNED OR MANUFACTURED TO MEET SPECIFICATIONS FOR USE ON PUBLIC ROADS, STREETS, HIGHWAYS, OR THOROUGHFARES AND HAVE READ AND HAVE AN UNDERSTANDING OF ALL THE INSTRUCTIONS FOR SAFE ASSEMBLY AND OPERATION AS WELL AS THE INSTRUCTIONS GOVERNING THE ENGINE AND OTHER PORTIONS OF THE VEHICLE.

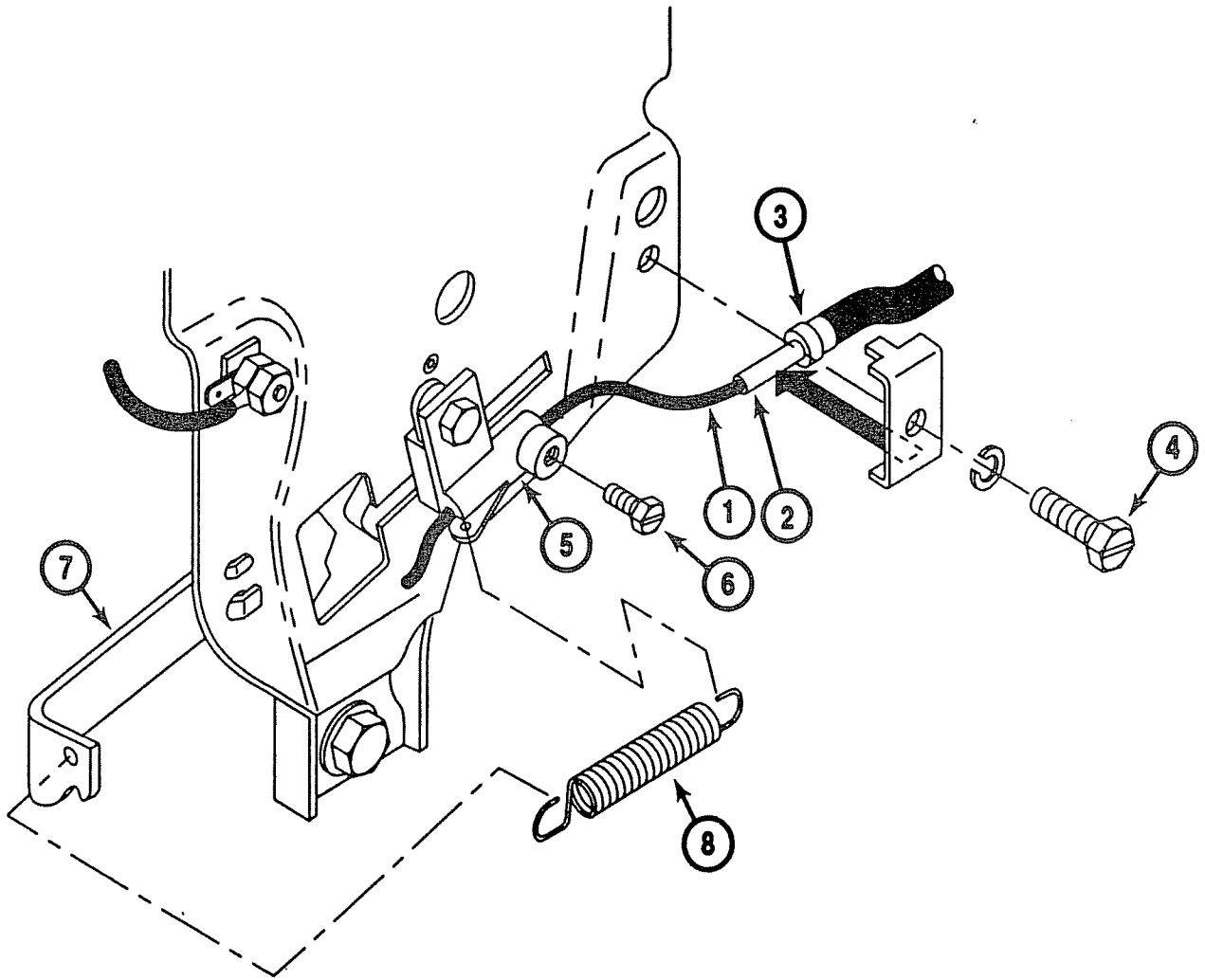


REPAIR PARTS - MODEL 703-01

REF. NO.	PART NO.	DESCRIPTION	REF. NO.	PART NO.	DESCRIPTION
1	5902-2	Frame	54	8008	Spacer, Sprocket
2	8049	Engine, 3.5hp	55	1100	Sprocket #35 x 72P
3	6237	Finger Guard, Recoil Housing	56	1246	Brake Drum 4"
4	1976	Seat	57	9030	Washer, 5/16 Interlock
5	6038	Steering Wheel	58	9127	Bolt, 5/16-18 x 2-1/4"
6	5903	Body, Corvette w/Decals	59	2388	Nut, 3/8-24
7	6423	Guard, Sprocket/Chain	60	9051	Bolt, 5/16-18 x 3"
8	3363-2	Chain Guard, Mounting Bracket	61	1849	Bolt, 1/4-20 x 1-1/2"
9	6960-2	Brake Pin Bracket	62	3463	Washer, 1/4 Rubber
10	1390	Throttle Cable (incl. 11)	63	1263	Nut, 5/16-18 Whiz Flange
11	9058	Nut, 5/16-24 Jam	64	9186	Bolt, 5/16-18 x 1-1/2"
12	3437	Pedal, Throttle	ASM	4335	Clutch Asm. (incl. 65-69)
13	3436	Pedal, Brake	65	3141	Snap Ring
14	5011	Brake Rod	66	3143	Bushing
15	1036	Brake Band w/Retainer	67	4491	Drum w/Sprocket (incl. 66)
16	9118	Clevis Pin	68	3146	Washer, Fiber
17	9116	Cotter Pin	69	4496	Clutch Rotor
18	1854	Washer, No. 14 Flat	70	1943	Washer, 9/32 ID x 1-1/4 OD
19	3843	Body Support Pad	71	1115	Washer, 1/4 Split Lock
ASM	9799	Stop Switch Wire Asm. (incl. 20-23)	72	5733	Bolt, 1/4-28 x 3/4"
20	1392	Stop Switch	73	9101	Bolt, 5/16-24 x 1/2"
21	1393	Ring Terminal	74	9030	Washer, 5/16 Inter Lock
22	1394	Wire, 50" w/Splice Connector	75	5135	Nut, Tinnerman
23	3135	Blade Terminal	76	9104	Washer, #10 Flat
NI	8020	Spindle - LH	77	6039	Washer, #10 Inter Lock
24	8021	Spindle - RH	78	6046	Bolt, #10-24 x 1/2"
25	6227	Chain, #35 x 80P (incl. 26)	79	1845	Bolt, 1/4-20 x 5/8"
26	1269	Master Link, #35 Chain	80	5732	Washer, 1/4 Int/Ext Lock
ASM	5020	Tie Rod Asm. (incl. 27-31)	81	9006	Bolt, 1/4-20 x 1/2"
27	5004	Tie Rod	82	9080	Bolt, 1/4-20 x 2-3/4"
28	1414	Rod End - RH	83	9160	Bolt, 1/4-20 x 7/8" Nylock
29	1415	Rod End - LH	84	3296	Decal, Steering Wheel Center
30	9092	Nut, 3/8-24 Jam - RH	85	1049	Decal, Don't Put Foot On Cover
31	9024	Nut, 3/8-24 Jam - LH	86	4912	Decal, Warning: Guard Must Be...
32	9145	Bolt, 3/8-16 x 1-3/4"	87	6621	Decal, Tire Pressure
33	9091	Washer, 3/8 Flat	88	6791	Decal, Oil Clutch
34	9085	Nut, 3/8-16 Toplock	89	5964	Decal, Engine Shipped w/o Oil
35	9146	Bolt, 3/8-16 x 1-1/2"	90	9677	Decal, Warning: Hot Surfaces
36	9110	Bolt, 5/16-18 x 5/8 Thd - 3/8 x 7/8 Shdr	91	9678	Decal, Warning: Engine Exhaust
37	1189	Nut, 5/16-18 Toplock	92	5027	Decal, Serial Number
38	1846	Bolt, 1/4-20 x 3/4"	93	4504	Decal, Warning Yellow
39	9057	Nut, 1/4-20 Toplock	94	8154	Decal, Age Restriction
40	1389	Bushing, .24 ID x .313 Long	95	2832	Decal, No Passengers
41	1264	Bolt, 1/2-13 x 3-1/2"	NI	1019	Ty-Wraps
42	1012	Nut, 1/2-13 Toplock	NI	3025	Vehicle Operators/Assembly Manual
43	1937	Spacer, 5/8 ID x 1/4"	NI	2600	Engine Manual
44	1119	Spacer, 5/8 ID x 1/8"	NI	4529	Decal, License Plate
45	1466	Nut, 5/8-11 Flexlok Jam			
ASM	5901	Idle Wheel Asm. (incl. 46-52)			
46	1093	Bearing, 5/8 ID			
47	8004	Wheel Half 5" Untapped			
48	5949	Spanner, 5/8 ID x 1-13/16"			
49	5839	Bolt, 1/4-20 x 3/4" Whiz Flange			
50	1186	Nut, 1/4-20 Whiz			
51	1753	Inner Tube			
52	6035	Tire, 4.10 - 3.50 x 5" Slick			
ASM	6422	Drive Wheel Asm. (incl. 46-52 & 53-60)			
53	8006	Wheel Half 5" Tapped			

NI = Not Illustrated
ASM = Assembly

THROTTLE CABLE INSTALLATION



ASSEMBLY: Pass the Throttle Cable (Item 1) through the 1628 Cable Retainer (Item 2) and butt the Throttle Cable Housing End (Item 3) against the Inside Shoulder of the 1628 Cable Retainer (Item 2). The 1628 Cable Retainer (Item 2) is to be securely fastened to the engine with the Clamping Screw (Item 4). Pass the Wire End of the Throttle Cable Housing (Item 1) through the hole in the 5928 Cable Stop (Item 5). Before tightening 5929 Cable Stop Screw (Item 6):

1. Ensure 5926 Spring Anchor (Item 7), 5927 Spring (Item 8) and Throttle Cable are installed as illustrated above.
2. Ensure throttle pedal is in rearward (idle) position.
3. Ensure that there is no slack in the Throttle Cable Wire End (Item 1) with no tension applied to the spring (Item 8).
4. Ensure Throttle Cable Housing End (Item 3) is inside and against the 1628 Cable Retainer (Item 2).