

Operator's Manual
SUPPLEMENT

Model No.
390U-0

▲WARNING:

Read Engine
Owner's Manual,
Vehicle Operator's
Manual, and
Supplement
Carefully Before
Operating Vehicle.

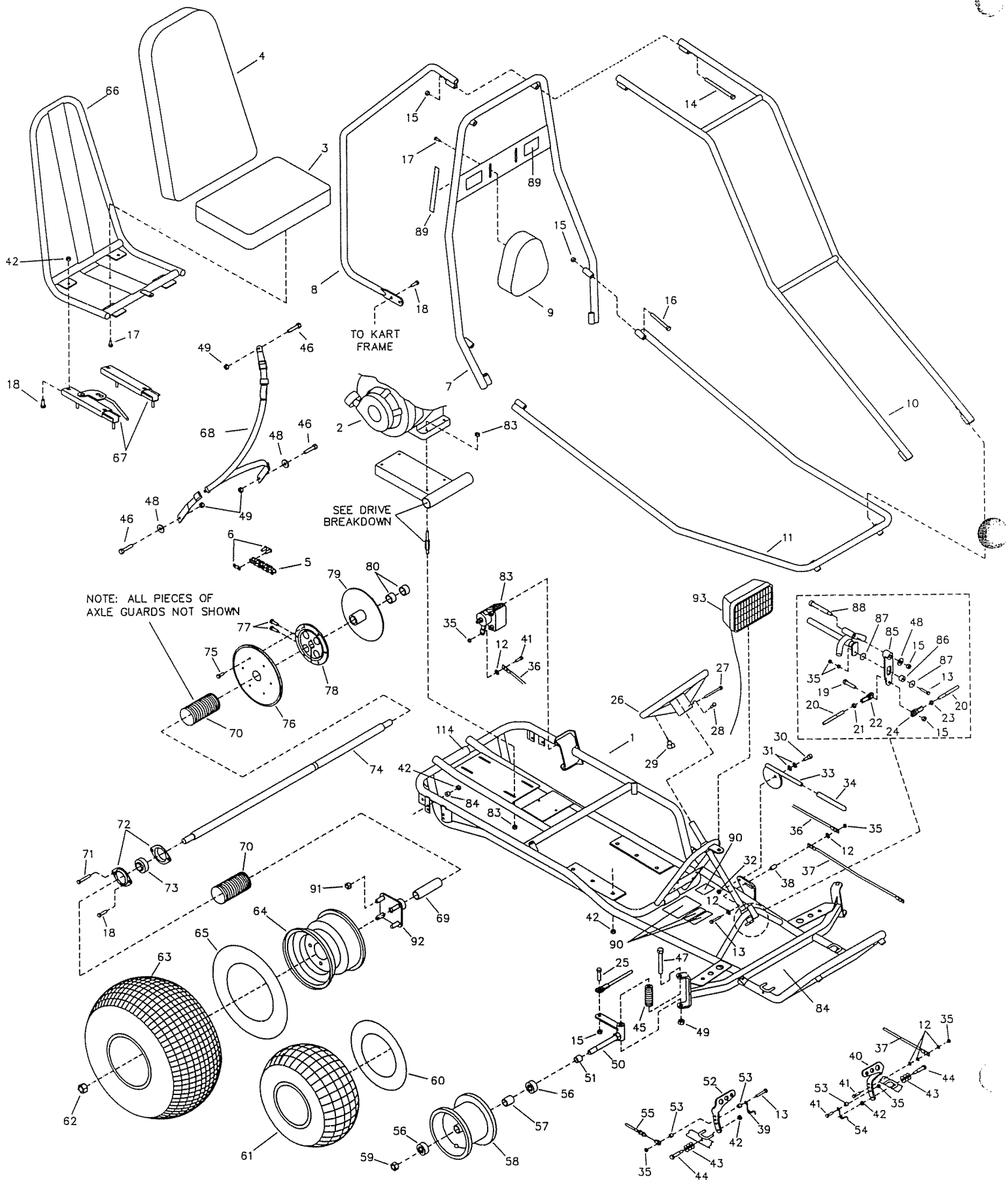


4404 Engle Ridge Drive, Fort Wayne, IN
ph (219) 432-1596 fx (219) 432-7870

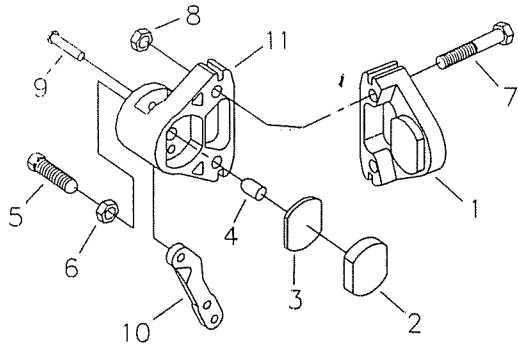
Parts List

**THIS VEHICLE IS FOR
OFF-ROAD USE ONLY**

BEFORE OPERATING THIS VEHICLE, THE OWNER AND/OR OPERATOR MUST UNDERSTAND THE VEHICLE WAS NOT DESIGNED OR MANUFACTURED TO MEET SPECIFICATIONS FOR USE ON STREETS, HIGHWAYS, OR THOROUGHFARES AND HAVE READ AND HAVE AN UNDERSTANDING OF ALL THE INSTRUCTIONS FOR SAFE ASSEMBLY AND OPERATION AS WELL AS THE INSTRUCTIONS GOVERNING THE ENGINE AND OTHER PORTIONS OF THE VEHICLE.

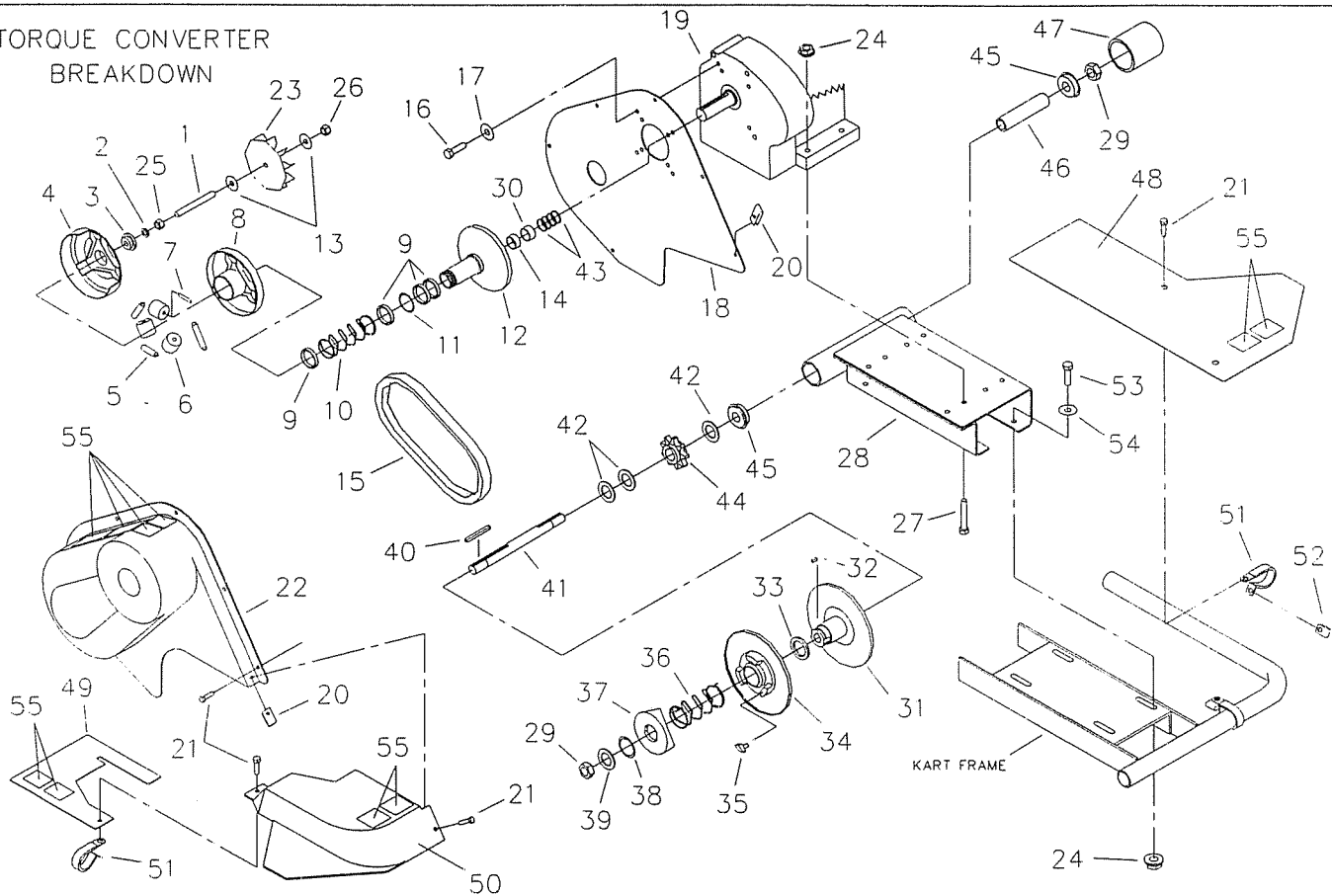


CALIPER BREAKDOWN



REF. NO	PART NO	DESCRIPTION
ASM	8197	Brake Caliper (incl. 1-11)
ASM	9810	Brake Pad Svc Kit (incl. 1-3)
1	*	Anvil w/Lining
2	*	Brake Lining
3	3928	Backing Plate
4	3930	Actuator Pin
5	3931	Adjuster Pin
6	3932	Nut, Jam
7	9158	Bolt, 3/8-16 x 2-1/4"
8	9085	Nut, 3/8-16 Toplock
ASM	6534	MB-1 Service Kit (incl. 9-11)
9	*	Groove Pin
10	*	Lever
11	*	Brake Housing

TORQUE CONVERTER BREAKDOWN



REF. NO	PART NO	DESCRIPTION	REF. NO	PART NO	DESCRIPTION	REF. NO	PART NO	DESCRIPTION
1	8689	Stud, 3/8-24 x 4-1/4"	23	8600	Impeller	45	5090	Bearing
2	1130	Washer, 3/8 Split Lock	24	1263	Nut, 5/16-18 Flange	46	2430	Spanner
3	2468	Washer, Pilot	25	2388	Nut, 3/8-24 Hex	47	8194	Cap, Plastic
ASM	2594	Driver Pulley Assembly (incl. REF. 4-12)	26	9123	Nut, 3/8-24 Toplock Hex	48	8878	Right Deck Cover
4	*	Cover and Drive Plate	27	9186	Bolt, 5/16-18 x 1-1/2"	49	8922	Left Deck Cover
5	2472	Extension Spring	28	8908-2	Chassis	50	8921	Caliper Cover - Left
6	2470	Cam Roller	29	1466	Nut, 5/8-11 Jam	51	8266	Loop Clip
7	2471	Spring Clip	30	4914	Spacer, 1" ID x 9/16	52	8227	Clip Nut
8	*	Moveable Face and Hub	ASM	8664	Driven Pulley Assembly (incl. REF. 31-39)	53	9176	Bolt, 5/16-18 x 1"
9	2474	Guide Bushing	31	*	Fixed Face and Post	54	9030	Washer, 5/16 Int. Lock
10	2475	Compression Spring	32	-----		55	11330	Decal, Sheet Main Frame and Engine Warnings
11	*	Retaining Ring	33	2483	Spacer			
12	*	Fixed Face and Post	34	*	Moveable Face and Cam			
13	9125	Washer, 3/8 Flat	35	2516	Button Insert			
14	1082	Spacer, 1" ID x 7/16	36	2480	Torsion Spring			
15	6814	Belt, Symmetrical	37	*	Fixed Cam			
16	9101	Bolt, 5/16-24 x 3/4"	38	2478	Thrust Washer			
17	9060	Washer, 5/16 Plain	39	2477	Retaining Ring			
18	8745	Cover Panel	40	3403	Key, 3/16sq x 2"			
19	10410	Engine, 10HP Tecumseh	41	8854	Jackshaft, 13.69"			
20	2449	Nut, Tinnerman	42	1119	Spacer, 5/8ID x 1/8"			
21	9006	Bolt, 1/4-20 x 1/2" Whiz	43	3887	Spacer, 1" ID x 1/16			
22	8739	Cover Assembly	44	8720	Sprocket, 9T #420			

* = Not Available Separately
 ASM = Assembly NI = Not Illustrated

REPAIR PARTS - 390U-0

REF. NO.	PART NO.	DESCRIPTION	REF. NO.	PART NO.	DESCRIPTION
1	10711-5	Frame	67	6734	Seat Slide - pair
2	10410	Engine, 10HP Tecumseh	68	8373	Seat Belt Shoulder / Lap
3	5557	Seat Bottom	69	4660-16	Spacer, 1" ID x 4-7/16"
4	8748	Seat Back	70	K388-38	Axle Guard Repair Kit
5	9343	Chain, 420 x 72 Links (incl. 6)	71	6573	Bolt, 5/16-18 x 1-3/4"
6	2037	Master Link, 420 Chain	72	6617	Bearing Flange
7	8711-5	Center Bar	73	3941H	Bearing, 1" ID
8	8702-5	Rear Bar	74	8223H	Axle Shaft
9	6320	Headrest	ASM	6420H	Sprocket Asm. (incl. 75-78)
10	8714-5	Overhead Bar	75	9006	Bolt, 1/4-20 x 1/2" Flanged Whiz
11	8710-5	Front Bar	76	6282	Sprocket, 420 x 54 Teeth
12	1854	Washer, No. 14 Flat	77	6701	Bolt, 5/16 x 1-1/4" Socket Head
13	1849	Bolt, 1/4-20 x 1-1/2"	78	6280H	Sprocket Hub
14	6452	Bolt, 3/8-16 x 5"	79	6314H	Brake Rotor
15	9085	Nut, 3/8-16 Toplock	80	2265-16	Spacer, 1" ID x 3/4"
16	2386	Bolt, 3/8-16 x 3-1/2"	81	1263	Nut, 5/16-18 Flanged Whiz
17	5839	Bolt, 1/4-20 x 3/4" Flanged Whiz	82	9674-16	Spacer, 3/8 ID x 3/8"
18	9176	Bolt, 5/16-18 x 1"	83	8197	Brake Caliper Asm.
19	9145	Bolt, 3/8-16 x 1-3/4"	84	1441	Decal, Front Floor Pan Scuff
ASM	6430	Tie Rod Asm. (incl. 20-24)	85	9834-2	Steering Crank Weldment
20	6431	Tie Rod	86	9873	Cam Follower Bearing
21	9092	Nut, 3/8-24 RH Jam	87	9872	Washer, 1/4 Flat
22	1414	Rod End - RH Thread	88	9871	Shoulder Bolt, 1/2 x 3"
23	9024	Nut, 3/8-24 LH Jam	89	11329	Decal Sheet, Center Bar Warnings
24	1415	Rod End - LH Thread	90	11330	Decal Sheet, Main Frame and Engine Warnings
25	9146	Bolt, 3/8-16 x 1-1/2"	91	1428	Nut, 1/2-13 Cone
26	6038	Steering Wheel	92	1557H	Wheel Hub
27	9080	Bolt, 1/4-20 x 2-3/4"	93	11347	Headlight Asm
28	9160	Bolt, 1/4-20 x 7/8" Nylock			
29	11072	Stop Switch Asm	NI	9247R5	Assembly Instructions
30	9172	Bolt, 3/8 x 1/4 Shoulder	NI	6477	Dingo Operator's Manual
31	6441	Washer, 3/8 ID Spring	NI	8746	Safety Video
32	6440	Nut, 5/16-18 Jam			
33	6773-2	Parking Brake Handle			
34	6442	Brake Handle Cover			
35	9057	Nut, 1/4-20 Toplock			
36	8215-2	Rear Brake Rod			
37	8715-2	Front Brake Rod			
38	9869	Spacer, 1/4 ID x 5/16 OD x 5/8"			
39	9502	Spring, Left Wound			
40	6293-16	Pedal, Brake			
41	1847	Bolt, 1/4-20 x 1"			
42	1189	Nut, 5/16-18 Toplock			
43	9091	Washer, 3/8 Flat			
44	1447	Pedal Bolt			
45	9709	Compression Spring			
46	9188	Bolt, 1/2-13 x 1-1/2"			
47	5682	Bolt, 1/2-13 x 5-1/2"			
48	9022	Washer, 1/2 Flat			
49	1012	Nut, 1/2-13 Toplock			
50	2457-2Z	Spindle, Right			
NI	2458-2Z	Spindle, Left			
51	5157-16	Spacer, 5/8 ID x 3/4"			
52	6309-16	Pedal, Throttle			
53	1389	Bushing, 1/4 ID x 5/16"			
54	9503	Spring, Right Wound			
55	8173	Throttle Cable			
56	5090	Bearing, 5/8 ID			
57	5950	Spanner, 5/8 ID x 2-1/8"			
58	9309FP	Wheel Assembly, Front (incl. 61)			
59	1046	Nut, 5/8-11 Toplock			
60	3802	Inner Tube, 6" (Repair Part Only)			
61	4915	Tire, 145/70 x 6 Knobby			
62	9162	Nut, 3/4-10 Toplock			
ASM	1412	Wheel Asm, Rear (incl. 63-64)			
63	1452	Tire, 22 x 11 -11"			
64	1451	Wheel - 8" Black			
65	1430	Tube, 8" (Repair Part Only)			
66	10402-2	Seat Frame			

ASM = Assembly
NI = Not Illustrated