

Assembly Instructions Model 1050L

The following instructions are to complete the assembly of your Manco Fun Kart using the component parts and hardware that were packaged with the kart. Carefully read these instructions completely before starting the assembly.

Tools required for assembly

- (1) 6mm Allen wrench
- (2) 10mm wrenches
- (2) 13mm wrenches
- (1) 15mm wrench or socket
- (1) 17mm wrench or socket
- (1) 24mm wrench or socket



Warning: Risk of death or Bodily Injury.

The Brush Bars and the Seat Belt are critical parts of the Operator / Passenger safety system on this kart. Do not attempt to operate the kart until these components have been properly installed.

Brush Bar Assembly

Position the top brush guard bar [4] & the rear brush guard bar [10] between the cross brush guard bars [2]. Insert M8 x 1.25 x 50 allen head bolt [9] through the brush guard washer [6] and into the top brush guard bar [4]. Repeat this four times to install the top brush guard. Insert M8 x 1.25 x 50 allen head bolt [9] through the brush guard washer [6] into the rear brush bar guard. Do not fully tighten the bolts until all of the brush guard components are fully in place.

Position the assembled brush guard bars onto the frame by nesting the bar assembly over the frame fittings. Insert a M8 x 1.25 x 40 allen head bolt [5] through the brush guard washer cap [6] and brush guard, into the brush guard nut [7]. Repeat this four times for each fitting. Do not fully tighten the bolts until the frame is properly nested into place.

Position the side brush guard bars [3] onto the frame & assembled brush guard bars. Insert a M8 x 1.25 x 40 allen head bolt [5] through the brush guard washer cap [6] and brush guard, into the brush guard nut [7]. Repeat this twice for each bar. Do not fully tighten the bolts until

the side brush guard bars are properly in place.

Front A-Arm Assembly

Remove the M8 x 1.25 x 30 upper shock bolt [21] from shock and install shock on kart frame attachment point. Tighten bolt and M8 Locking flange nut [22] down securely using 13mm wrenches. Do not overtighten and pinch shock end.

Install strut assembly [17] into the upper "A" arm [16] making sure that square section of strut is aligned with square hole in "A" arm. Thread the M10 chrome acorn nut [15] onto strut and tighten with 15mm wrench or socket.

Finally, assemble steering tie rod end [13] into the strut steering arm [17]. Install M8 nylon lock nut [14] on the bottom of the ball joint and tighten with 13mm wrench or socket

Repeat the procedure for opposite side of kart.

Wheel/Tire Assembly

Locate the 13x6-3.5 front wheel assemblies [18] and position them onto the front spindles [17]. Install each wheel nut [19] using a 17mm wrench or socket. The wheels must spin freely after the nuts are tightened. Install rubber cap [20] over nut after tightening.

Locate the 13x6-5 rear wheel assembly [28] and position it onto the right rear axle. Install the M12 wheel nut [29] using a 17mm socket. The wheel must spin freely after the nut is tightened.

Locate the 13x6-5 drive wheel assembly [30] and position it onto the left rear axle. Install the key [31] into the axle keyway and align wheel such that it will slide fully onto the axle. Secure wheel with locking M16 nut [32] and 24mm wrench or socket. Install rubber cap [20] to both rear wheels after fastening.

Rear Swingarm Assembly

Remove M8 x 1.25 x 30 upper shock bolt [21] from shock and install shock to kart frame attachment point. Tighten bolt [21] and nut [22] securely with 13mm wrenches, being careful not to overtighten and pinch shock end. Repeat process for opposite side. Note: If equipped with slide in flag mount bracket, it should be attached in the upright position to the top connection of the right rear shock.

Steering Wheel Installation

Locate the steering wheel assembly [25] and mount to kart using (3) M6 x 16 bolts [23] and (3) M6 nylon lock nuts [26]. Orient wheel such that flat section is in the 6 o'clock position. Tighten nuts securely with 10mm wrenches. After tightening, snap on the steering wheel cover [27].

Safety Flag Assembly

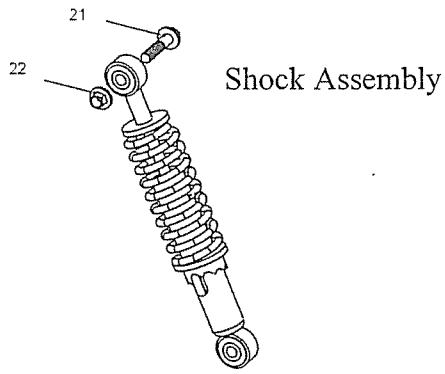
Insert the flag shaft through the flag mounting bolt (PN11361) installed in the mounting tab on the rear of the frame. Allow approximately 1/2 inch of the shaft to protrude past the end of the bolt. Use wrenches to securely tighten the nut and bolt to fix the position of the flag

Engine Fluids

Read and follow instructions in the owners manual.

Your Manco Fun Kart has been pre-filled with oil. Please verify the oil level according to the owners manual.

Fill the fuel tank with regular grade clean, unleaded gasoline. Do not use premium grade gasoline, gasohol or diesel fuel.



Overhead Bar Assembly

