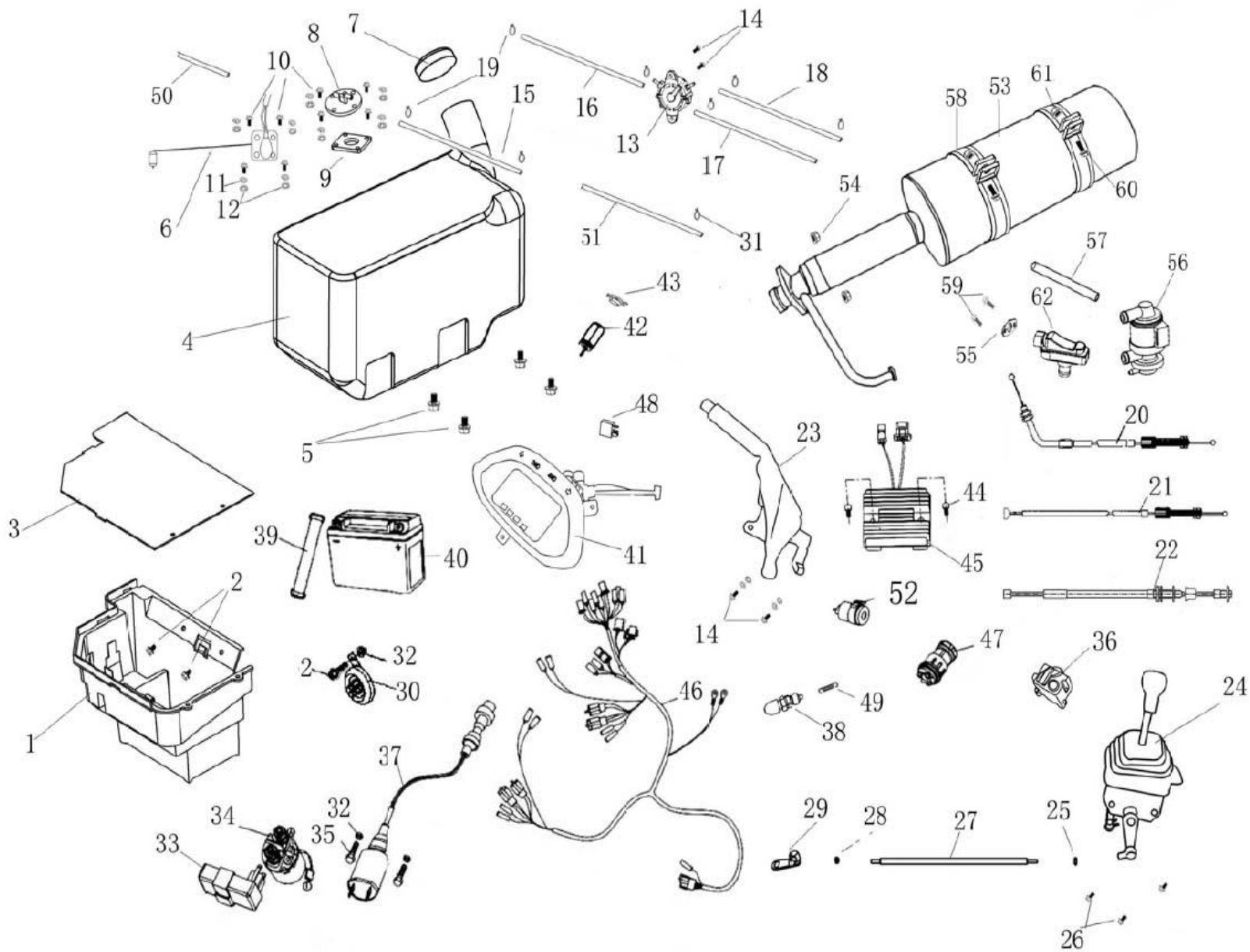


Electrical,Muffler,Tank



Electrical,Muffler,Tank				
FIG NUM	PART NUM	CHINESE	DESCRIPTION	COUNT
1	65601N	电瓶盒	BATTERY BOX	1
2	9.106.012	螺栓	BOLT M6X12	3
3	65602N	电瓶盒盖	COVER, BATTERY CASE	1
4	80001W	油箱	FUEL TANK COMP.	1
5	9.112.020	螺栓	BOLT M12X1.75X20	4
6	80002W	油位计	GAUGE,OIL LEVEL	1
7	80003W	油箱盖	CAP,FUEL TANK	1
8	80004W	出油口	OIL OUTLET	1
9	80005W	密封垫	SEAL WASHER	2
10	9.106.016	螺栓	BOLT M6X16	12
11	9.400.006	弹垫	LOCKING WASHER φ6	8
12	9.300.006	平垫	FLAT WASHER φ6	8
13	80006W	吸油泵	OIL PUMP	1
14	9.106.020	螺栓 M6X20	BOLT M6X20	4
15	80008W	油管1-φ11*310	OIL TUBE I	1
16	80009W	油管2-φ11*220	OIL TUBE II	1
17	80010W	油管3-φ11*560	OIL TUBE III	1
18	80011W	油管4-φ11*300	OIL TUBE IV	1
19	8.040.009	油管夹9	TUBE CIRCLIP φ9	8
20	60010N	手刹线总成	PARKING BRAKE CABLE COMP.	1
21	60110N	风门线总成	CHOKE CABLE COMP.	1
22	60120N	油门线总成	THORRLE CABLE COMP.	1
23	80012W	手刹	PARKING BRAKE ASSY.	1
24	80013W	倒档器	SHIFTER HOISE ASSY.	1
25	9.220.006	螺母	NUT M6	1
26	9.10816	螺栓	BOLT M81.25X16	3
27	80014W	倒档拉杆	SHORT CLEVIS ROD	1
28	9.200.006-L	左旋螺母	LEFT TURN NUT M6	1
29	80015W	左旋万向球	LEFT TURN CLEVIS ROD HEAD	1
30	6.000.135	喇叭	HORN	1
31	8.040.006	油管夹6	TUBE CIRCLIP φ6	2
32	9.220.006	自锁螺母	FLANGE LOCKING NUT M6	1
33	80016W	点火器	C.D.I. UNIT COMP.	1
34	80017W	继电器	STARTING RELAY	1
35	9.106.025	螺栓	BOLT M6X25	2
36	80026W	4WD/2WD转换开关	4WD/2WD SWITCH	1

37	80018W	高压包	IGNITION COIL COMP.	1
38	80026W	刹车灯开关	TAIL LIGHT SWITCH	1
39	80020W	电瓶拉条	BATTERY BAND	1
40	80021W	电瓶	BATTERY	1
41	80022W	仪表	INSTRUMENT	1
42	6.000.087	电烟器	POWER OUTLET	1
43	80023W	电烟器盖	POWER OUTLET COVER	1
44	9.106.030	螺栓	BOLT M6X30	2
45	80024W	稳压器	REGULATE RECTIFIER COMP.	1
46	80025W	电缆线总成	WIRE HARNESS	1
47	6.000.158	电源开关	IGNITION START SWITCH	1
48	80026W	辅助继电器	STARTING RELAY	6
49	80027W	拉簧	SPRING	1
50	80028W	通气管1-φ11*200	BREATHING MAINIFOLD	1
51	80029W	通气管2-φ7*670	BREATHING MAINIFOLD	1
52	6.000.153	闪光器	RELAY COMP.AUBIDLEPILOT	1
53	80030W	消音器	MUFFLER COMP.EX.	1
54	9.200.008	螺母M8	NUT M8	2
55	80031W	纸垫	GASKET	1
56	80032W	2次进气空滤器	SECOND AIR INLET,AIR CLEANER	1
57	80033W	通气管	BREATHING MAINIFOLD φ17X70	1
58	80034W	消音器抱箍	MUFFLER CLAMP	2
59	9.106.012	螺栓M6*12	BOLT M6X12	2
60	9.110.045	螺栓	M10X1.25X45	2
61	9.210.010	螺母	M10X1.25	2
62	80035W	二次进气单向阀	SECOND AIR INLET, CHECK VALVE	1