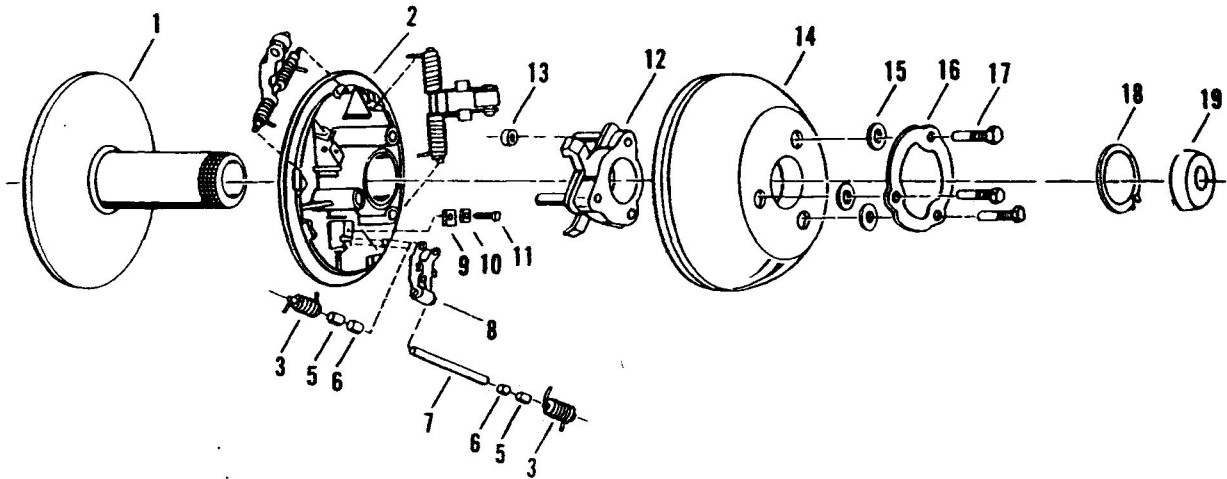




Stock replacement for  
Odyssey FL250

# MODEL 700 DRIVE CLUTCH 300704A

## Assembly Sequence



## Parts List

| ITEM NO. | ORDER NO. | DESCRIPTION                  | QTY. REQ. |
|----------|-----------|------------------------------|-----------|
| 1        | 301363A   | Fixed Face & Post, 30MM Bore | 1         |
| 2        | 300382A   | Movable Face & Bushing       | 1         |
| 3        | 302306A   | Spring Kit, 3 R.H., 3 L.H.   | 6         |
| 5        | See Kit   | Spring Bushing               | 6         |
| 6        | See Kit   | Arm Bushing                  | 6         |
| 7        | See Kit   | Pivot Pin                    | 3         |
| 8        | 300144A   | Roller Assembly              | 3         |
| 9        | See Kit   | Clamp                        | 3         |
| 10       | See Kit   | Lock Plate                   | 3         |
| 11       | See Kit   | Screw                        | 3         |
| 12       | 300866A   | Spider & Bumper Assembly     | 1         |
| 13       | 300367A   | Bumper                       | 3         |
| 14       | 300203A   | Ramp Plate                   | 1         |
| 15       | See Kit   | Washer                       | 3         |
| 16       | See Kit   | Lock Ring                    | 1         |
| 17       | See Kit   | Screw                        | 3         |
| 18       | 300047A   | Retaining Ring               | 1         |
| 19       | 300105A   | Cup Washer                   | 1         |

**PIVOT PIN KIT**  
#302294A includes  
Item Nos. 5- 6-7-9-10-11

**SPRING BUSHING KIT**  
#302304A includes  
Item Nos. 5-6-10

**RAMP PLATE RETAINING KIT**  
#302305A includes  
Item Nos. 15-16-17-18



358 NW F Street Richmond, IN 47374-2297  
(765) 966-8161 Fax: (765)935-2346  
1-800-999-8161 <http://www.hoffcocomet.com>

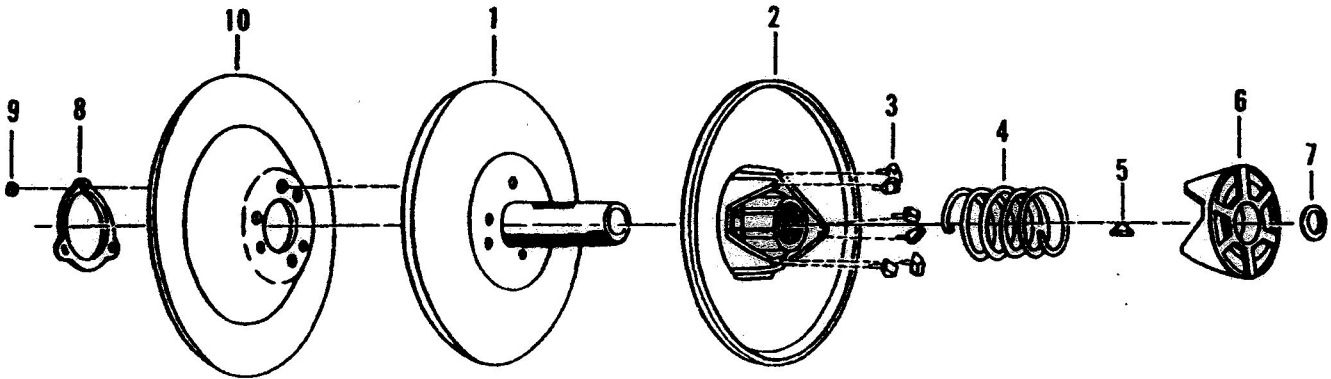
162284A 981 PRINTED U.S.A.



Stock replacement for  
Odyssey FL250

# MODEL 700 DRIVEN CLUTCH 301827A

## Assembly Sequence



## Parts List

| ITEM NO. | ORDER NO. | DESCRIPTION                              | QTY. REQ. |
|----------|-----------|--|-----------|
| 1        | 301828A   | Fixed Face & Post                        | 1         |
| 2        | 301413A   | Movable Face w/Buttons                   | 1         |
| 3        | 302307A   | Button Kit, 3 R.H., 3 L.H.               | 6         |
| 4        | 300401A   | Spring                                   | 1         |
| 5        | 300061A   | Woodruff Key                             | 1         |
| 6        | 300292A   | Cam                                      | 1         |
| 7        | 300047A   | Retaining Ring                           | 1         |
| 8        | 300964A   | Lock Plate                               | 1         |
| 9        | 300107A   | Nut                                      | 3         |
| 10       | ---       | Brake Disc<br>(Honda Part, Not Included) | 1         |

### ACCESSORIES

|         |                                  |
|---------|----------------------------------|
| 300628A | OEM Belt .96 T.W. for 10.25 C.D. |
| 300301A | Clutch Puller                    |
| 302401A | Spring Tool                      |



358 NW F Street Richmond, IN 47374-2297  
(765) 966-8161 Fax: (765) 935-2346  
1-800-999-8161 <http://www.hoffcocomet.com>

162284A 981 PRINTED U.S.A.