

# Fun Karts

## MODEL: 3200 SERIES OWNERS MANUAL

### **WARNING:**

Read Tecumseh Engine Owner's Manual and Important Rules for Safe Operation before Operating Vehicle

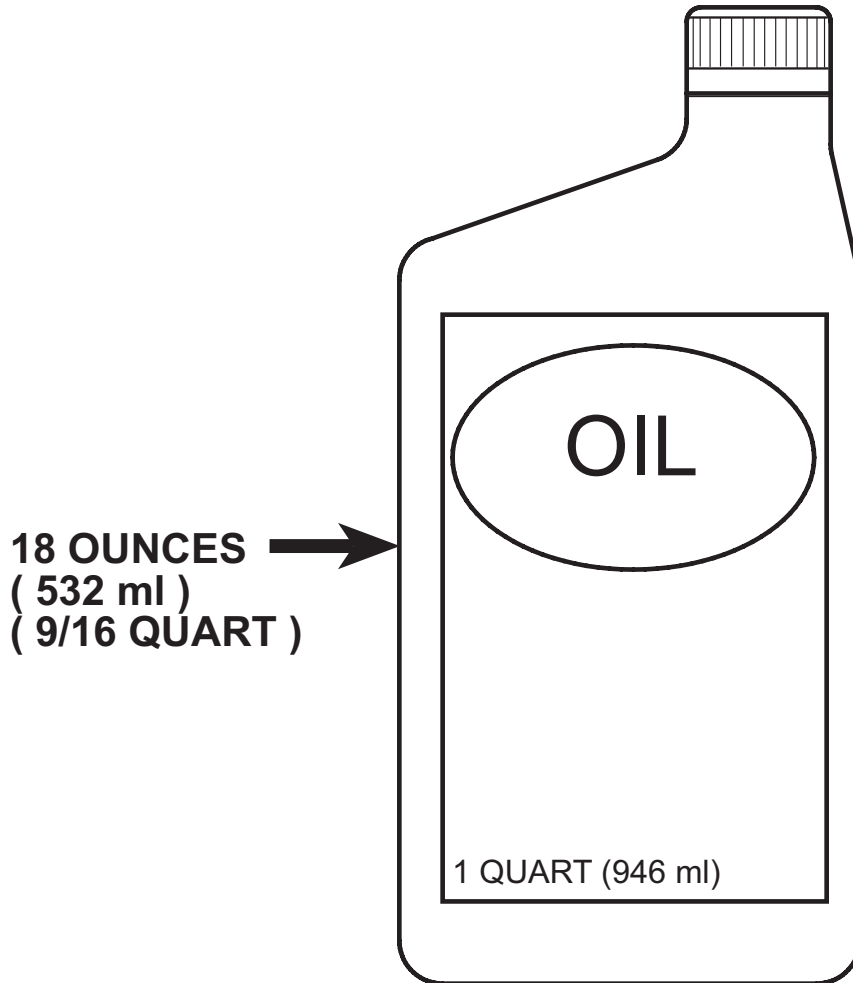
### **DANGER:**

**YOU MUST ADD OIL TO THE ENGINE PRIOR TO USE!!!**  
*18 oz (532 ml) OF SAE 30 MOTOR OIL*

This vehicle is sold for off-road use only. Before operating this vehicle, read all the instructions for safe assembly and operation as well as the instructions governing the engine and other portions of the vehicle. Pay close attention to all caution and warning labels on the Fun-Kart.

**For Replacements Parts Call:**  
**1-888-926-6554 (U.S.)    1-888-707-1880 (Canada)**

# DO NOT OVERFILL !!!



For temperatures 32°F and above, fill the crankcase with 18 ounces of SAE 30 weight oil. For temperatures between 32°F and 0°F, use SAE 5W30. For temperatures 0°F and below, use SAE 0W30. DO NOT OVERFILL!!! Keep in mind that a true reading on the dipstick can only be attained by positioning the Fun-Kart so the engine is level. This can be done by setting the rear end of the Fun-Kart on a 12" high stand. This will not be necessary if 18 ounces is measured out before filling.



## Read These Important Rules For Safe Operation

**NOTE:** *All the items (1-33) below should be read and understood by the Operator and Parent. Failure to follow these instructions could endanger personal safety of the operator.*

1. This vehicle is not licensable. **IT IS NOT TO BE OPERATED ON ANY PUBLIC ROAD, STREET, SIDEWALK or ALLEY.** To do so would be a violation of local law. This vehicle may be operated only on private property and upon areas approved by local law.
2. This vehicle should **NEVER** be operated indoors. The exhaust from the engine contains carbon monoxide, which is tasteless, odorless, and poisonous gas.
3. This Fun-Kart is not intended nor designed for racing.
4. **The operator of this vehicle should always wear a D.O.T approved helmet and other protective equipment as recommended by state and local laws. The operator should also wear face shields or goggles, boots, gloves, and other appropriate protective clothing.**
5. Unless otherwise specified in this manual, all screws, nuts, and bolts must be kept tight to ensure that the vehicle is in safe operating condition. The engine must be kept free of all dirt and other accumulations, paying particular attention to throttle linkage area.
6. Prevailing Torque type locknuts lose their locking capability with repeated use and require replacement. Ensure locknuts are functioning properly.

7. The tire pressure should be checked prior to each use. The recommended inflation pressure is the maximum tire pressure which is printed on the tire's sidewall. **Improper tire pressure may cause instability and may prevent proper braking or steering.**
8. Modification of this vehicle or removal of any original equipment or safety decals may render the vehicle unsafe or illegal. **Never remove any chained guard, or belt clutch guard.** These covers are for the riders' protection.
9. The vehicle should never be started without first checking to see that the throttle is in *idle* position. Do not start engine without verifying proper function of the throttle.
10. **Never attempt to start this vehicle without having the operator sitting in the proper position to ensure control of the kart.**
11. The operator's ability to operate this off-road vehicle safely is largely dependent upon the operator's ability to exercise proper judgement. An operator also must not be too small or too large for controlled operation. The operator must be at least 16 years of age and have understanding, mental capacity and physical capability to safely operate this vehicle. This vehicle should only be operated after mature, supervised instruction and sufficient practice in non-congested areas.
12. **This vehicle is designed for one operator only.** A operator on any vehicle must be of sufficient age, understanding, mental capacity, and physical capability to act to protect himself/herself, and wear a D.O.T approved helmet at all times. **This kart is not recommended for weights exceeding 200 pounds.**
13. The engine should be stopped when the vehicle is not in use.
14. **Loose clothing, long hair, or articles worn by any riders must be fully contained, or covered to prevent them from possibly being caught in rotating parts of the vehicle or the surrounding environment while riding. Failure to obey could endanger the personal safety of the Riders.**
15. **Do not place hands, feet, or any other part of the body or any clothing near the engine, muffler, wheels, chain, and other rotating parts of the vehicle while riding or running the engine.** Caution must be used in performing required maintenance on or near an operating engine. Special caution should be taken after the engine has been running, since the engine and other drive components may be extremely hot.
16. Wet, slippery, rough, or steep terrain is potentially dangerous and may result in injury if proper caution is not observed. Slow speeds are required to safely operate this vehicle under those conditions. The Operator must use mature judgement, skill, and experience to choose a speed suitable for the terrain and riding conditions.
17. **The Governor settings for this vehicle's engine must not be tampered with, altered or changed.** The governor is set by the engine manufacturer and limits the maximum speed of the engine (and vehicle) and protects the **engine** from damage. Excessive speeds are potentially dangerous to the rider and the engine.

18. Each time before using this vehicle, the fuel supply should be checked. The fuel tank should never be filled while the engine is running or while the engine is hot. Do not fill tank in closed area such as a garage, while smoking, or in the vicinity of an open flame. Do not overfill the tank. Always allow at least ¼ inch of space at the top of the tank for expansion. Never top off tank. Replace cap tightly to prevent spillage of fuel and potential fire hazard. After filling tank, move the vehicle at least 15 feet away from spot of filling before starting.
19. If the vehicle should start making unusual noise or vibrating abnormally, the engine should be stopped and the spark plug wire disconnected. The vehicle should then be checked for damage. Excessive noise or vibration is generally a warning of loose or worn parts.
20. When making repairs or adjustments to the vehicle which do not involve adjustments to the engine, the spark plug wire must be disconnected and kept away from the spark plug to prevent accidental starting. When working on or around or when restarting engine, use extreme caution to avoid contact with the muffler, cylinder head, or any other potentially hot area on or around the engine.
21. Always perform a Pre-Ride Inspection before starting the engine. See Pre-Ride Inspection in the manual.
22. The custom brush guard assembled on this vehicle is for deflecting loose vegetation and must not be removed.
23. When storing the vehicle, it must be kept in a place where gasoline fumes will not reach an open flame or spark. For long periods of storage, such as for winter, the fuel tank should be drained in the open, cool area. The engine must be allowed to cool before storage in any enclosure. Read and keep all printed material supplied with this vehicle. Timely and specific instructions and an Operators Manual revisions are included in supplements. If any printed material included is unclear, please call 1-888-389-5522 for assistance.
24. **Never operate this vehicle while under the influence of alcohol, drugs, or medication of any kind. Such operation could be dangerous to you and/or others.**
25. Always slow down while turning. High speed turning may cause loss of control, possible injury to the Operator.
26. **Do not race, jump, and perform “stunt” riding or ”spinouts” when operating the Fun-Kart. The Fun-Kart is not designed or intended for such operation.**
27. This manual provides guidelines for the assembly, maintenance, and operation of this Fun-Kart and is not intended as a service manual.
28. Assembly, maintenance, and/or repair of this Fun-Kart should only be performed by persons of sufficient mechanical skill, experience, and judgment (such as outdoor equipment dealers, motorcycle dealer/shops, or small engine dealers) so that no unsafe condition or modification is made.
29. Always use extreme caution when starting the engine. Avoid touching the engine, muffler, or drive components. These areas could cause burns on contact.
30. **Operator must always be appropriately supervised at all times while operating this vehicle.**

31. Riding your Fun-Kart requires skill acquired through practice over a period of time. Take the time to learn the basic techniques before attempting to ride the vehicle.
32. Ride only on safe and familiar terrain. Avoid loose gravel and rocks. Be careful on wet surfaces and allow for extra braking distance.
33. ALWAYS mount the caution flag provided on the Fun-Kart for safety purposes. This flag could help prevent dangerous situations.

**Pay close attention to all *Caution* and *Warning* labels on the Fun-Kart.**

## **ASSUMPTIONS OF RISK**

*The Owner Or Operator Assumes All The Risks Incident To Or Arising Out Of The Operation Of This Vehicle.*

*Failure To Follow And Comply With All Warnings May Cause Serious Injury Or Death*

# YERF-DOG Fun-Karts by Flexible Flyer

## LIMITED WARRANTY

The *Limited Warranty* on this vehicle is in two (2) parts:

We offer the original purchaser of this product the following warranty:

### **PART 1**

#### **ENGINE**

Tecumseh warrants the engine for (2) years, not Flexible Flyer. See Tecumseh Engine Owner's Manual. Engine repair, replacement parts, and warranty claims must be handled through an authorized dealer in your locality. Tecumseh has an extensive authorized sales and service dealer network. (See yellow pages of phone directory under "Engine-Gas").

### **PART 2**

#### **FRAME**

The frame and related components are warranted by Flexible Flyer and are applied to any part found to be defective due to material and/or workmanship when inspected at the Flexible Flyer factory. Flexible Flyer will at its' option, repair or replace the defective parts to the original purchaser at no charge.

The warranty periods are as follows from the date of purchase:

- A. Frame for 90 days, Void if:
  - 1. Frame is broken or bent due to abuse (underside scraped abusively).
  - 2. Wheels are bent or broken due to impact.
  - 3. Spindles are bent due to impact.
  - 4. Paint is worn off of rear bumper indicating an extra rider.
  - 5. Axles are bent out of ordinary position either horizontally or vertically.
  - 6. Non-Factory altering of engine or it's components
- B. Bearings and sprocket for 30 days
- C. Clutch for 30 days against breakage of its parts. No warranty is applied for wear of clutch shoes or clutch bearings due to service.
- D. Throttle cable, brake cable, brake band, chain, tires, seat, shocks, fasteners and other components are not warranted because due to normal service they are subject to excessive wear and abuse.

All Warranties are voided if the vehicle has been altered in any way or is used in racing or competition, rented, used under abnormal conditions, or subject to abuse, misuse, neglect, or improper maintenance.

**Flexible Flyer is not liable for any damage claim or liability claim, personal or otherwise resulting from the operation of this vehicle in any way.**

**F.F. Acquisition Corp. YERF-DOG Warranty Dept.  
1743 South Horne # 100  
Mesa, AZ 85204**

**FOR REPLACEMENT PARTS PLEASE CALL:  
1-888-926-6554 (U.S.) 1-888-707-1880 (Canada)**

---

## **ASSEMBLY**

---

1. Complete the Fun-Kart registration and warranty confirmation on the back of this owner's manual and mail in within 10 days of purchase. The information is required when ordering parts.
2. *Steering Wheel* - Bolt the steering wheel to the anchor plate with fasteners provided in the parts bag included with the Fun-Kart. See "Steering Wheel Assembly Instructions" page 12.
3. *Seat* - Install the seat frame to chassis frame with fasteners provided in the parts bag. See "Seat Assembly Instructions" page 13.
4. *Foam* - Attach foam to brush guard frames using fasteners provided in the parts bag. See "Foam Assembly Instructions" page 14.
5. *Brush Guard* - Bolt the brush guard to chassis frame with fasteners provided in the parts bag. See "Brush Guard Assembly Instructions" page 15.
6. *Bolts* - Check the screws, nuts and bolts on your vehicle to see that all are tightened securely. For safe operating conditions, do periodic checks and tighten securely.
7. **Engine** - Fill the crankcase with 18 ounces of SAE 30 weight oil. **DO NOT OVERFILL! Keep in mind that a true reading on the dipstick can only be attained by positioning the Fun-Kart so that the engine is level. This can be done by setting the rear end of the Fun-Kart on a 12 inch high stand. This will not be necessary if 18 ounces is measured out before filling.** For additional information refer to Tecumseh engine manual for servicing the engine.
8. Fill fuel tank with regular gasoline, leaded or unleaded. Do not use premium gasoline. Do not overfill (No fuel in filler neck).
9. *Tire Pressure*

### **CHECK AIR PRESSURE IN TIRES!!**

It is common industry practice to overinflate the tires. This is done to guarantee an airtight seal. Prior to riding the Fun-Kart for the first time, you may need to reduce the air pressure in the tires to the specifications stated below:

	<u>Knobby Tread</u>	<u>Turf Tread</u>
Rear Tires	10 PSI	10 PSI
Front Tires	4 PSI	12 PSI

Proper tire pressures will increase the life of the tire and enhance the performance of the Fun-Kart.

**Driving on asphalt or concrete will significantly reduce the life of the tire!!**



---

## PRE-RIDE INSPECTION

---

**WARNING** - *Perform this pre-ride inspection everyday before riding the vehicle. If not performed, serious damage to the vehicle and personal injury may result.*

1. *Engine Oil Level* – Check oil level by placing the rear end of the Fun-Kart on a 12 inch high stand. Add oil if required. Check for leaks. Tighten filler cap securely.
2. *Fuel Level* – Add fuel if necessary. Do not overfill (no fuel in filler neck). Replace cap tightly. Check for leaks. Do not mix oil with gas. Only refuel when engine is off and cool.
3. *Brakes* – Perform a Brake Test: Sit in the vehicle with the brake actuated by pressing on the brake pedal. Start the engine with the ignition switch on. Increase the engine RPM gradually to ensure the brake is effective. Do not operate this Fun-Kart unless the brake is working properly.
4. *Tires* – Check conditions and pressure.
5. *Drive Chain* – Check condition, tension, lubricate as necessary.
6. *Throttle* – Check for smooth operation. Assure throttle “snaps” back to idle. Also, check for frayed cable or damaged cable conduit. If either condition exists replace the cable assembly before riding.
7. *Stop Switch* – Perform this stop switch test. While the engine is running, move the steering column remote stop switch to the “OFF” position. If this does not stop the engine, move the engine remote switch to the “OFF” position. If the engine is not equipped with an engine remote switch, pull the spark plug wire. Check to insure that the stop switch wire is attached to the terminal on the engine. **Do not operate this vehicle with a stop switch that is not functioning properly.**
8. *All Nuts, Bolts and Fasteners* – Check wheels to assure that all axle nuts and lug nuts are tightened properly. Check and tighten all other fasteners as necessary. Regularly check set screws on sprockets and drum.
9. *Guards* – Ensure all protective guards are in place. **Never remove any chain guard, or clutch guard.** Each of these covers have a protective purpose, if removed it could endanger the personal safety of the operator or passenger.
10. *Steering System* – Ensure that it turns freely.

---

## STARTING INSTRUCTIONS

---

**NOTE:** *Do not attempt to start or operate this machine without being completely familiar with all controls necessary to operate this vehicle safely. Do not start the engine before reading and understanding all the rules, warnings, and instructions in this manual.*

1. Before starting the engine, the operator should be seated in the Fun-Kart. If the rider is not seated in the vehicle, it should be placed against a stationary object and started.
2. Do not start the engine before checking to make sure the throttle assembly is in the idle position. Warning – Each time prior to starting the engine, check throttle assembly to ensure that when the throttle pedal (right side) is pushed all the way forward the assembly is working smoothly and returns to idle when released. Do not operate if pedal and engine throttle linkage fail to return to idle.
3. To start a cold engine, pump the engine primer “3” times. If the engine is hot, priming may not be necessary to restart the engine.
4. Pull recoil starter rope sharply. See Tecumseh engine owner’s manual. Do not flood the engine by continuously pulling the starter rope. If engine does not start after two or three pulls of the starter rope, wait a few minutes then repeat the above procedures.

---

## OPERATIONAL SAFETY TIPS

---

### TURNING MANUEVERS

The new rider must learn to shift his weight and control the throttle to allow the rear tires to negotiate the turn. This is the primary technique to be mastered in riding this vehicle. Practice turning at slow constant speeds. Defer increased speeds until you are confident of your proficiency and are intimately familiar with the terrain.

Steer in the direction of the turn, and lean your body to the inside of the turn in order to maximize front tire traction. Use the throttle to maintain posture throughout the turn.

Incorrect turning techniques may cause the front tires to slide straight ahead without affecting the vehicles direction of travel. If this should occur, come to a stop, then resume the technique outlined above.

If the front wheels tend to skid in mud, sand, or snow, you may be able to improve control by releasing the throttle and allowing the vehicle to coast through the turn.

If rear wheel inadvertently skid sideways, correct your slide by steering in the direction of the skid, if you have room to perform this maneuver safely. Avoid braking or accelerating until you have control.

To avoid skids while traveling on slippery terrain, the rider must exercise a high degree of caution. Turning maneuvers on slippery terrain are more hazardous than those performed under full traction and must be done slowly.

---

## PREVENTIVE MAINTENANCE

---

### STORAGE

In the event your vehicle is not to be operated for a period in excess of 30 days and at the end of riding season prepare for storage as follows:

***WARNING - Do not drain fuel while engine is hot. Be sure to move vehicle outside before draining fuel.***

1. Drain fuel tank and remove all fuel remaining in the tank by using a suction device or by soaking up the fuel with a clean rag or towel. Remove all fuel remaining in the carburetor by allowing engine to run out of fuel. Do not perform any fuel removal procedure while smoking or near an open flame. Dispose of any rags or towels properly.
2. Lubricate engine cylinder by removing the spark plug and pouring an ounce of lean lubricating oil through the spark plug hole into the cylinder. Crank the engine slowly to spread oil and replace spark plug.
3. Do not save or store gasoline over winter. Using old gasoline that has deteriorated from storage will cause hard starting and affect engine performance.
4. When the vehicle is removed from storage re-read the owner's manual, perform any assembly required, and perform a pre-ride inspection. See Pre-Ride Inspection section of this manual.

## GENERAL

Just as your automobile needs professional, mechanical maintenance from time to time, so does this vehicle. Replacement of the spark plug and ignition points is made necessary by normal use. Professional air-cooled engine service is easily obtained. Check your phone book yellow pages under "Engine Gasoline".

---

## SERVICE INSTRUCTIONS

---

*Engine Lubrication* – You must change the oil in the crankcase after the first two hours of operating your new engine and after each 25 hours of use thereafter. That will insure proper lubrication in internal parts and prevent costly repairs due to excessive wear. Refer to Engine Maintenance Instructions.

*Kart Lubrication* – Every two or three hours of use lubricate the following items with several drops of oil; steering bearing points, brake rod pivot points, pedal pivot points, steering spindles, and steering rod ends. Use the same grade of lubricating oil that is used in the engine crankcase.

*Chain Lubrication* – **For the best chain life, it should be lubricated with a *graphite type* of lubricant such as the spray-on type which evaporates leaving the graphite on the chain.** Using oil or grease on the chain in dusty or sandy riding conditions may cause dirt particles to stick to the chain resulting in rapid wear from abrasion.

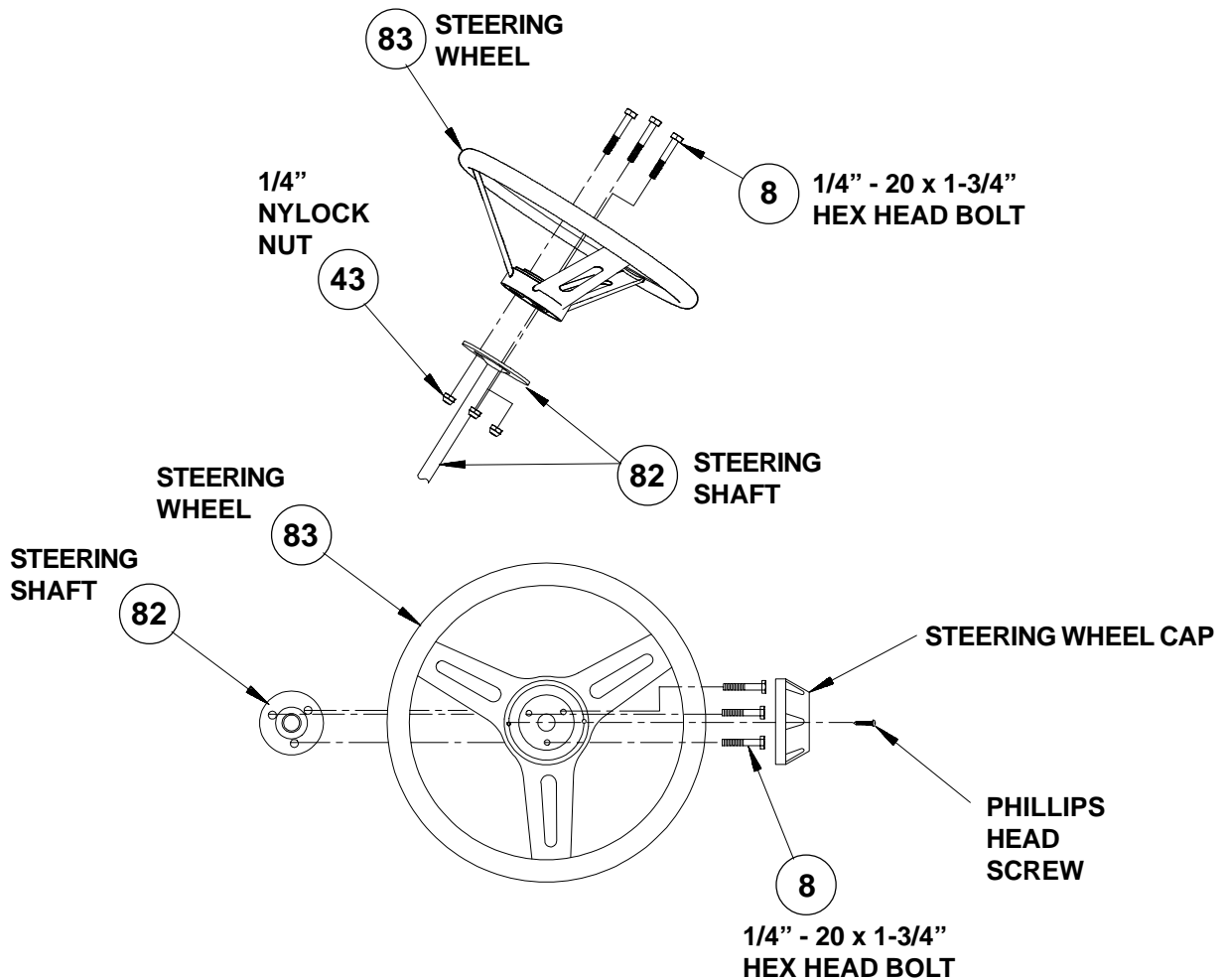
*Front Wheel Replacement* – Care must be used when replacing wheels. **Do not over tighten nuts.** It is only necessary to tighten the nuts so that the wheel turns freely on the axle with minimum endplay. If the wheel does not turn freely the nut is too tight.

*Rear Wheel Replacement* – Loosen the large locknut in the center of the wheel to remove the rear wheel.

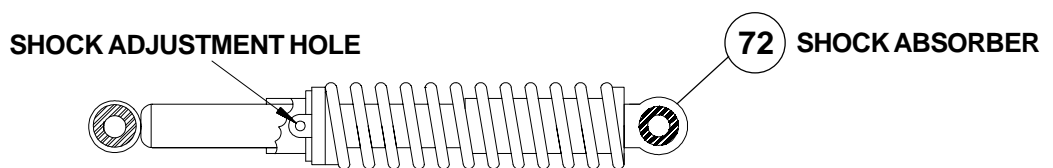
*Chain Adjustment* – After the first two hours of operation, check the chain adjustment and readjust it if it has more than 1/2" flex. Loosen the engine clamp nuts and slide the engine forward to tighten chain.

**For Replacement Parts Please Call:  
1-888-926-6554 (U.S.) 1-888-707-1880 (Canada)**

## STEERING WHEEL ASSEMBLY INSTRUCTIONS



## SHOCK ABSORBER ADJUSTMENT



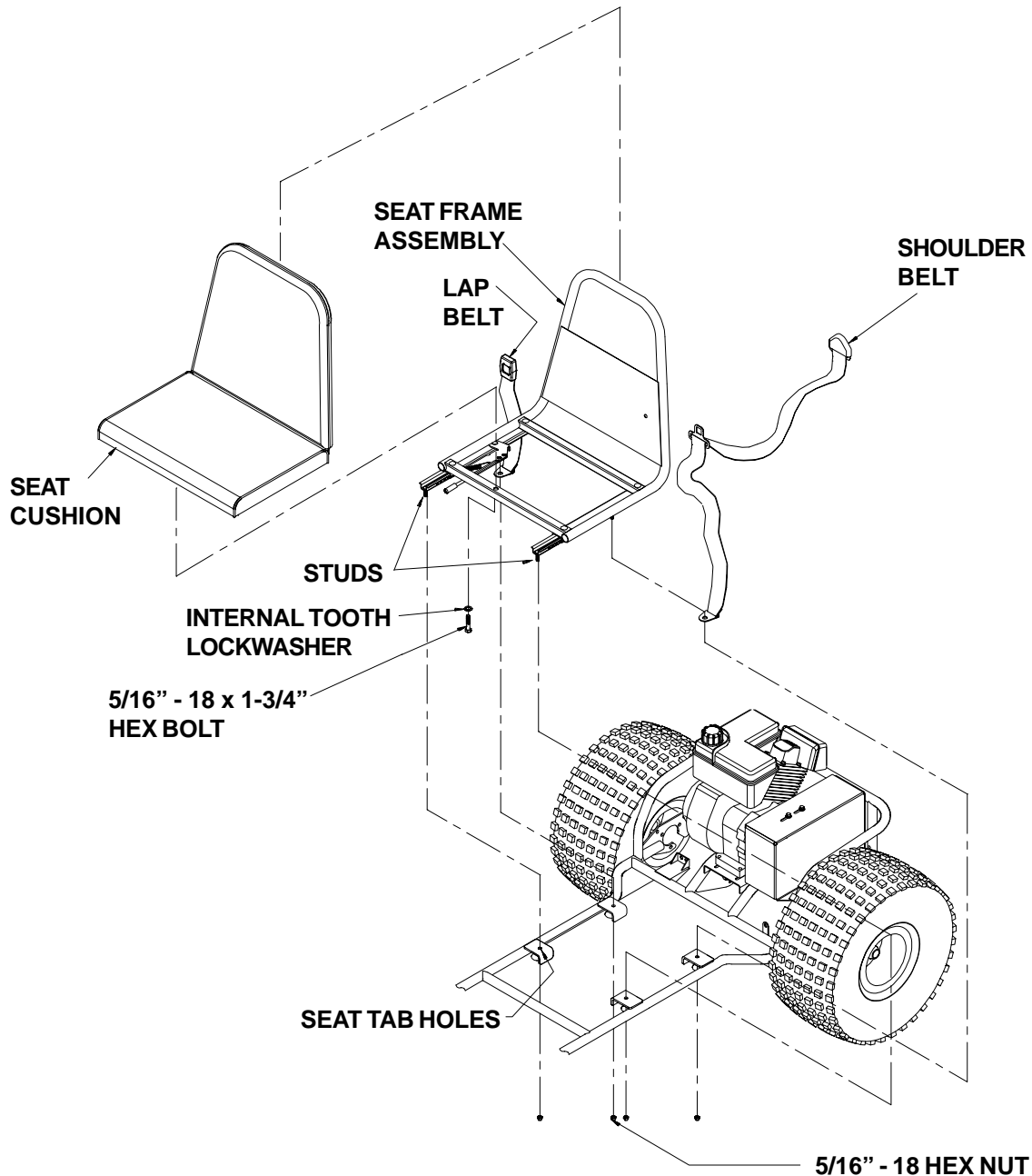
1. Locate the SHOCK ABSORBERS at the front and rear of the FUN-KART
2. The SHOCKS are pre-set for normal conditions at the factory.
3. Locate the SHOCK ADJUSTMENT HOLE at the base of the spring.
4. Place the end of a narrow screwdriver in the SHOCK ADJUSTMENT HOLE.
5. Turn the SHOCK ADJUSTMENT HOLE counter-clockwise around the SHOCK to decrease shock absorption.
6. Turn the SHOCK ADJUSTMENT HOLE clockwise around the SHOCK to increase shock absorption.
7. Experiment with the adjustment until the desired effect is attained.

---

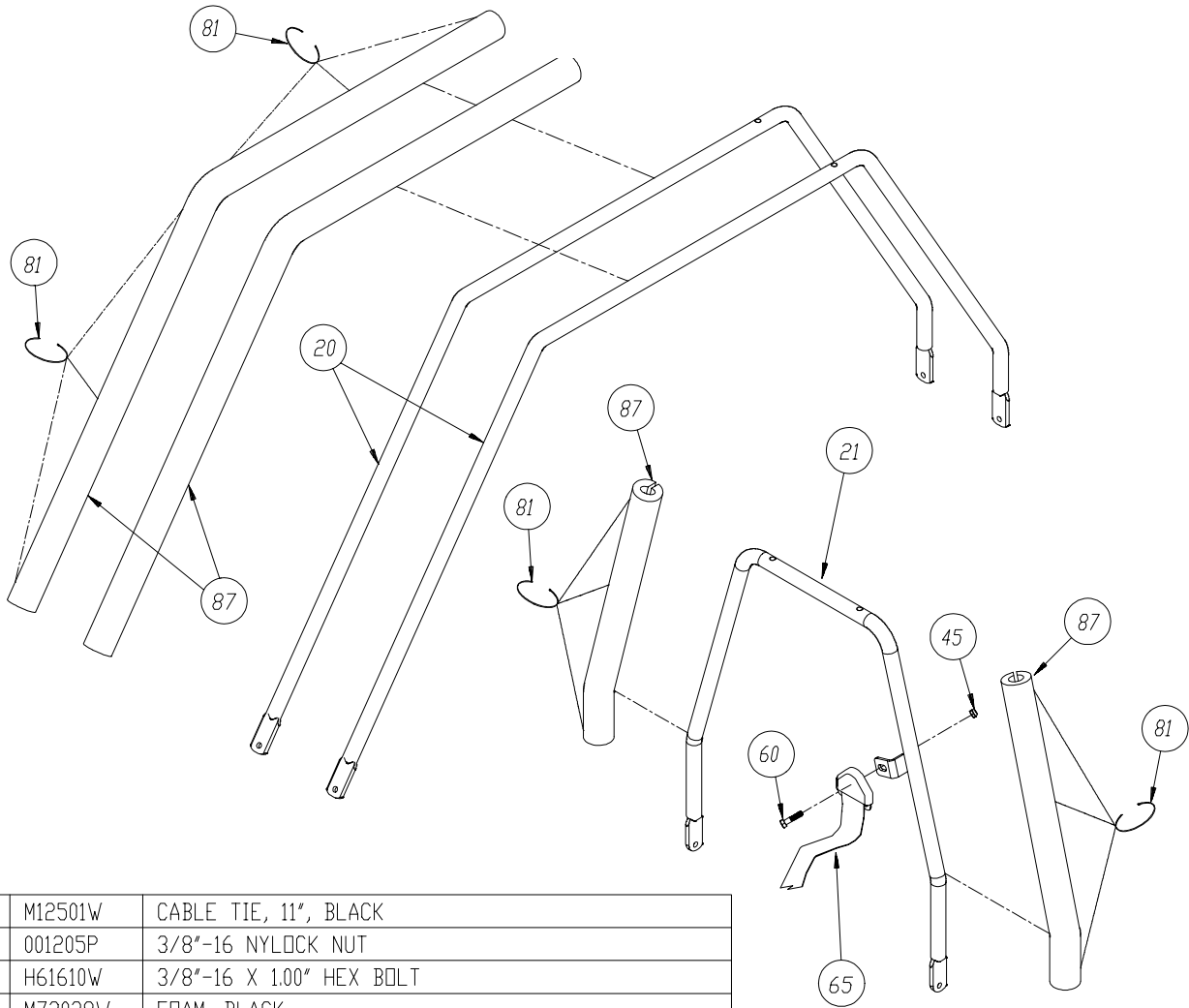
## SEAT ASSEMBLY INSTRUCTIONS

---

1. Locate the SEAT FRAME ASSEMBLY, LAP BELT, and SHOULDER BELT.
2. Align STUDS on the bottom of the SEAT FRAME ASSEMBLY with the SEAT TAB HOLES on the FUN-KART FRAME.
3. Slip SHOULDER BELT and LAP BELT connectors under the rear STUDS on the bottom of the SEAT FRAME ASSEMBLY.
4. Insert STUDS into SEAT TAB HOLES.
5. Secure the SEAT FRAME ASSEMBLY using four 5/16" NUTS.
6. Secure the top of the SHOULDER BELT to the BRUSH GUARD as shown in the BRUSH GUARD ASSEMBLY DIAGRAM.
7. Place the SEAT CUSHION on the SEAT FRAME ASSEMBLY. Secure the SEAT CUSHION to the SEAT FRAME ASSEMBLY using one 5/16" - 18 x 1-3/4" BOLT and one INTERNAL TOOTH LOCK WASHER.

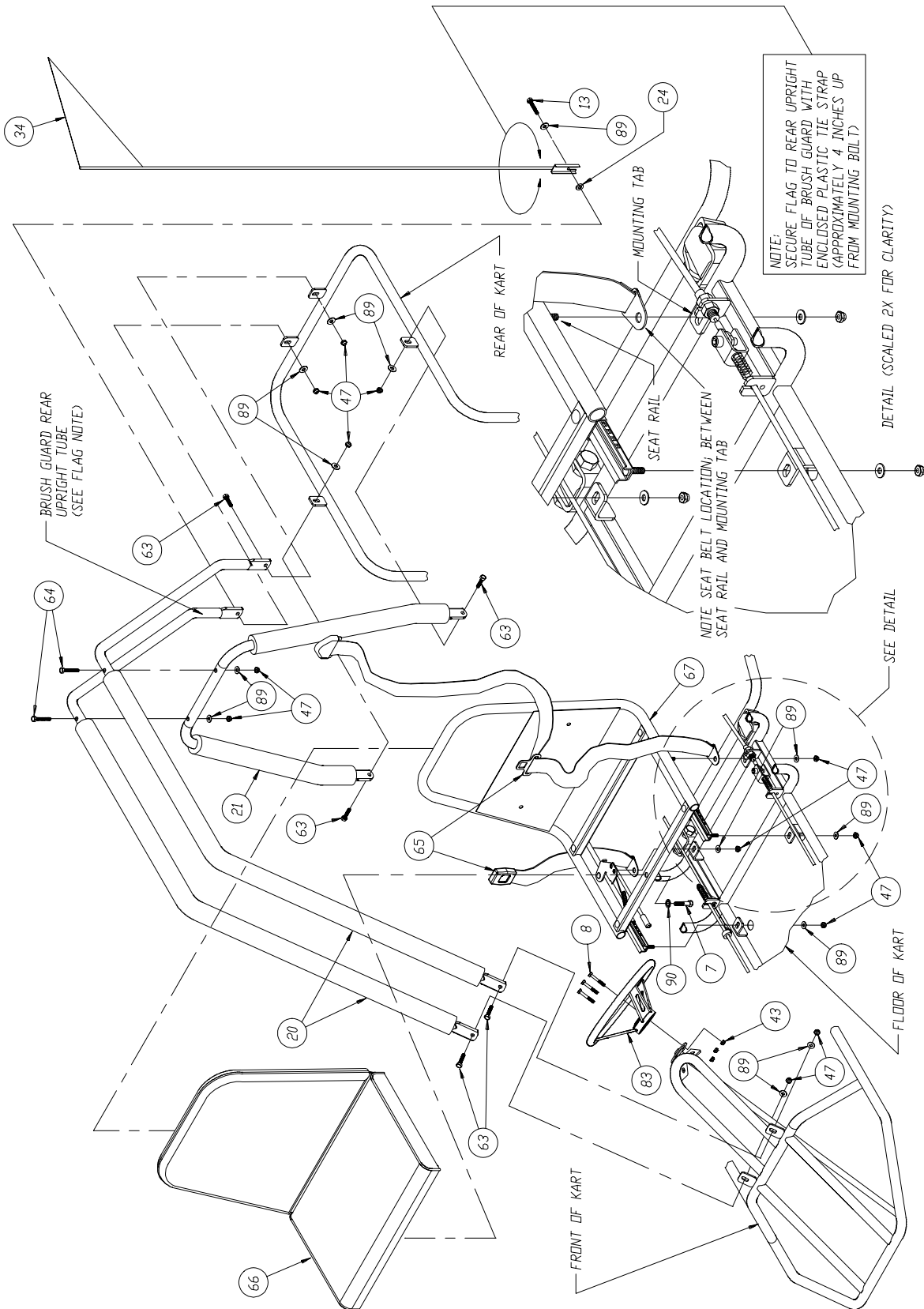


# FOAM ASSEMBLY INSTRUCTIONS



81	18	M12501W	CABLE TIE, 11", BLACK
45	1	001205P	3/8"-16 NYLOCK NUT
60	1	H61610W	3/8"-16 X 1.00" HEX BOLT
87	3	M72038W	FOAM, BLACK
65	1	26000900	RETRACTABLE SEAT BELT
21	1	30016206	MAIN BRUSHGUARD, 3200, BLACK
20	2	30016106	FRONT BRUSHGUARD, 3200, BLACK
ITEM	QTY	PART NUMBER	DESCRIPTION

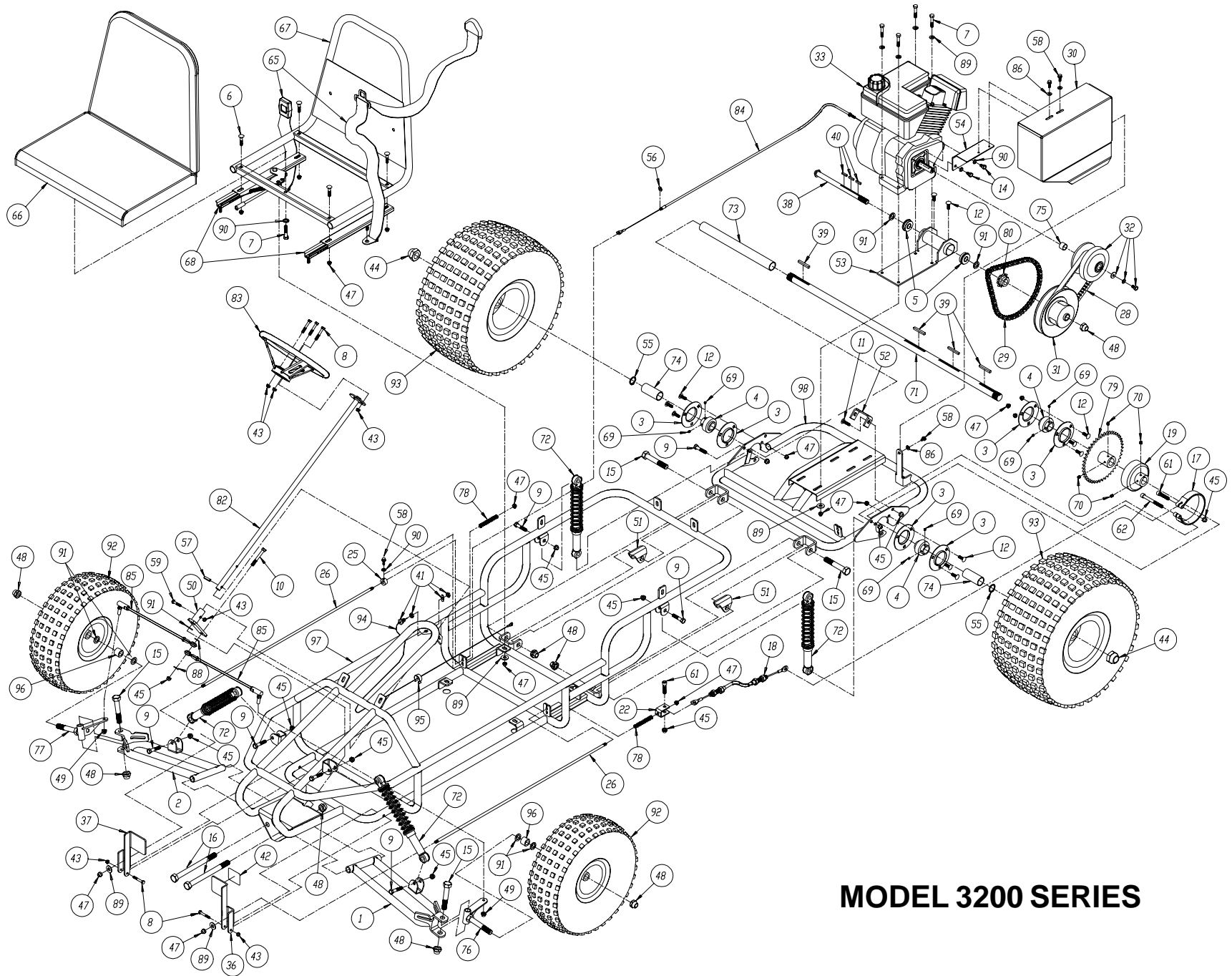
# BRUSH GUARD ASSEMBLY INSTRUCTIONS



## 3200 SERIES REPLACEMENT PARTS IDENTIFICATION

Item	Part No.	Description	Item	Part No.	Description
1	32015006	A-ARM, BLACK LEFT	53	5311030	PLATE, CLUTCH MOUNT BLACK
2	32015106	A-ARM, BLACK RIGHT	54	5311020	PLATE, COVER MOUNT BLACK
3	H93110W	BEARING RETAINER	55	H92780W	RETAINING RING, 1" HEAVY
4	H92010W	BEARING, 1" I.D.	56	H91470W	RETAINING RING, 1/4"
5	H99502W	BEARING, 5/8" I.D.	57	27000100	SPRING PIN, 1/4 X 7/8"
6	H93290W	BOLT, 5/16-18 X 1-1/2" CARRIAGE	58	H32505W	SCREW, 1/4-20 X 0.50 HEX
7	H33135W	BOLT, 5/16-18 X 1-3/4" HEX	59	22001400	BOLT, 1/4-20 X 1-1/2" HEX SHOULDER
8	H32503W	BOLT, 1/4 -20 X 1-3/4" HEX	60	H61610W	BOLT, 3/8-16 X 1" HEX
9	22000300	BOLT, 3/8-16 X 1-3/4" HEX	61	21000500	SCREW, 3/8-16 X 1-1/2" SCKT HD CAP
10	22000900	BOLT, 3/8-16 X 2"	62	H33753W	SCREW, 3/8-16 X 3" SCKT HD CAP
11	H33137W	BOLT, 3/8-16X 1" CARRIAGE	63	2200040	BOLT, 5/16-18 X 1" HEX
12	H95188W	BOLT, 5/16-18 X 3/4" CARRIAGE	64	00996	BOLT, 5/16-18 X 2-1/4" HEX
13	2200030	BOLT, 5/16-18 X 1-1/2" HEX	65	26000900	SEAT BELT ASSEMBLY
14	H33136W	BOLT, 5/16-24 X 1/2" HEX	66	H92440W	SEAT CUSHION
15	H36254W	BOLT, 5/8-18 X 3-3/4" HEX	67	5311069	SEAT FRAME, BLACK
16	22001700	BOLT, 5/8-18 X 7" HEX	68	H92740W	SEAT RAIL, PAIR
17	H92130W	BRAKE BAND	69	H93200W	SET SCREW, 1/4-28 X 1/4"
18	36001100	BRAKE CABLE, 17"	70	H93210W	SET SCREW, 5/16-18 X 0.31
19	H92140W	BRAKE DRUM, 4" DIA	71	H91840W	SHAFT, REAR AXLE
20	30016106	BRUSH GUARD, BLACK FRONT	72	36000200	SHOCK ABSORBER
21	30016206	BRUSH GUARD, BLACK MAIN	73	H92500W	SLEEVE, 13-1/4" PVC
22	31004806	CABLE ATTACHMENT, BLACK	74	H92490W	SLEEVE, 2-7/8" PVC
23	M01001W	CABLE TIE, 3-1/4" BLACK	75	H91950W	SPACER, 0.78 I.D. DRIVE
24	001467P	NYLON SPACER	76	32010606	SPINDLE, BLACK LEFT
25	H91480W	COLLAR, 7/16" BORE X 7/8"	77	32010506	SPINDLE, BLACK RIGHT
26	35000600	CONTROL ROD, BLACK ZINC	78	H55030W	SPRING, 1/2" X 3" COMPRESSION
27	62003500	DECAL, KIT	79	23001100	SPROCKET ASSEMBLY
28	Q43203W	DRIVE BELT, COMET	80	H92541W	SPROCKET, 10 TOOTH
29	H93262W	DRIVE CHAIN	81	M12501W	CABLE TIE, 11", BLACK
30	5311019	DRIVE COVER, BLACK	82	32015206	STEERING SHAFT, BLACK
31	Q43200W	DRIVEN, TORQUE CONVERTER	83	H92561W	STEERING WHEEL, 13" W/CAP
32	Q43201W	DRIVER, TORQUE CONVERTER	84	36000700	THROTTLE CABLE, 40"
33	Q43160W	ENGINE, 6.0 HP TECUMSEH	85	23001700	TIE ROD ASSEMBLY
34	H92700W	FLAG, SAFETY	86	001812P	WASHER, 1/4" FLAT
35	M72038W	FOAM PAD, 2" X 72", BLACK	87	M72038W	FOAM, BLACK
36	5311015	FOOT PEDAL, BLACK LEFT	88	001616P	WASHER, 3/8" SPECIAL FLAT
37	5311016	FOOT PEDAL, BLACK RIGHT	89	001618P	WASHER, 5/16" FLAT
38	5311031	JACKSHAFT, 5/8" W/WASHER	90	H53132W	WASHER, 5/16" INTERNAL TOOTH
39	H92250W	KEY, 1/4" X 1/4" X 2"	91	H56251W	WASHER, 5/8" NARROW FLAT
40	H91931W	KEY, 3/16" X 3/16" X 0.86"	92	46000200	WHEEL, FRONT, CHROME RIMS, KNOBBY
41	Q33100W	KILL SWITCH ASSEMBLY	46000010	WHEEL, FRONT, SILVER RIMS, KNOBBY	
42	F23100W	NON-SKID PAD	46000030	WHEEL, FRONT, GREY RIMS, TURF	
43	001203P	NUT, 1/4-20 NYLOCK	93	46000300	WHEEL, REAR, CHROME RIMS, KNOBBY
44	HH10014	NUT, 1-14 THIN NYLOCK	46000020	WHEEL, REAR, SILVER RIMS, KNOBBY	
45	001205P	NUT, 3/8-16 NYLOCK	46000040	WHEEL, REAR, GREY RIMS, TURF	
46	HH37533	NUT, 3/8-24 HEX	94	81000300	WIRE ASSY, 16 GA X 95"
47	HH1256T	NUT, 5/16-18 NYLOCK	95	H92690W	WIRE CLIP
48	HH62518	NUT, 5/8-18 THIN NYLOC	96	00513	SPINDLE SPACER
49	HH37524	NUT, HEX 3/8-24 THIN NYLOCK	97	00594	MAIN FRAME, BLACK
50	32015306	PITMAN ARM, BLACK	98	00519	REAR SWINGARM, BLACK
51	31004706	PIVOT STOP, BLACK	60006709	OWNER'S MANUAL, 3200 SERIES FUN-KART	
52	5311017	PLATE, BRAKE GUIDE BLACK	H91780W	OWNER'S MANUAL, ENGINE	





**MODEL 3200 SERIES**

# VEHICLE REGISTRATION AND WARRANTY CONFIRMATION

## ***IMPORTANT!***

*Please return this information within 10 days of purchase to validate your warranty.*

*Return to:*

**F.F. Acquisition Corp.  
YERF-DOG Warranty Dept.  
1743 South Home # 100  
Mesa, AZ 85204**

Thank-you for purchasing this fine YERF-DOG product. With proper use, maintenance and service this kart will bring many years of fun and enjoyment. Please complete this vehicle registration and warranty confirmation form to ensure protection under the terms and conditions of the warranty and to verify ownership of this product.

To ensure maximum safety while operating your YERF-DOG Fun Kart, observe the following precautions:

**OPERATE THIS KART OFF ROAD ONLY  
ADULT SUPERVISION FOR OPERATORS UNDER 16 YEARS OLD  
WEAR A D.O.T. APPROVED HELMET, PROTECTIVE EYE WEAR, AND CLOTHING  
SECURE LONG HAIR AND LOOSE CLOTHING; KEEP ARMS, LEGS, AND FEET INSIDE THE KART  
DO NOT OPERATE UNDER THE INFLUENCE OF DRUGS OR ALCOHOL**

To ensure maximum owner satisfaction and understanding of this product, you should:

**READ OWNERS MANUAL BEFORE OPERATING KART  
REVIEW AND FULLY UNDERSTAND THE KART AND ENGINE WARRANTIES  
INSPECT THE KART UPON DELIVERY  
SECURE A COMPLETED COPY OF THIS CERTIFICATE FOR YOUR RECORDS**

In signing this document, the purchaser acknowledges that he/she understands the warranty limitations, safety, and maintenance guidelines outlined above and in the owner's manual and, therefore, agrees that all riders/operators will adhere to these specifications.

---

Model No.

Serial No.

Date of Purchase

---

First Name

Initial

Last Name

---

Street Address

---

City

State

Zip Code

---

Home Telephone Number

Parent's Signature

**(Please enclose a copy of your proof of purchase.)**

---