

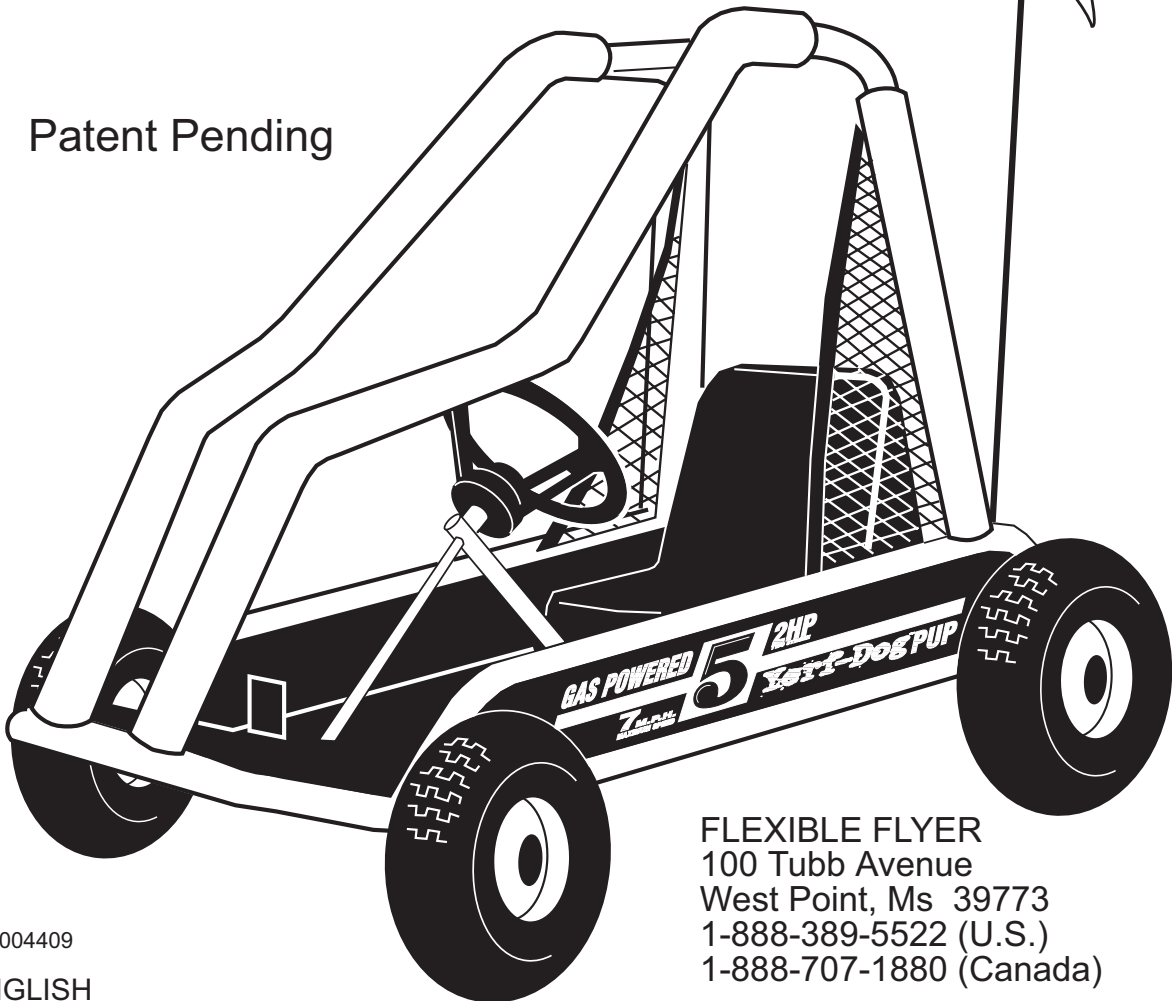
# Yartf-Dog<sup>TM</sup> PUP

MODEL# 3100

## OWNERS MANUAL

DATE CODE: \_\_\_\_\_

Patent Pending



#60004409

ENGLISH

FLEXIBLE FLYER  
100 Tubb Avenue  
West Point, Ms 39773  
1-888-389-5522 (U.S.)  
1-888-707-1880 (Canada)

7-11-00

## **IMPORTANT INFORMATION**

- Your new vehicle requires adult assembly. Please set aside at least 30 minutes for assembly.
- Read this manual carefully for important safety information and operating instructions before using your vehicle.
- This vehicle is designed for use on grass, asphalt and other hard surfaces, on flat terrain and hills, by children 4-8 years of age.

If you have any questions about your Yerf-Dog Pup, please call our toll free service lines at 1-888-389-5522 from 8am to 5pm (CST) Monday through Friday.

For your convenience, Yerf-Dog Fun Karts maintains an Authorized Service Center Network nationwide. Our authorized service centers will repair or replace parts under warranty at no extra charge, and can perform non-warranty repairs for a minimal charge.

Please complete and return the enclosed Registration Card today.

## **WARNING**

- Children can be harmed by small parts, sharp edges and sharp points in the vehicles unassembled state. Care should be taken in unpacking and assembly of the vehicle. Children should not handle parts, or help in the assembly of the vehicle.
- Keep small parts and plastic bags out of children's reach. Dispose of plastic bags properly.
- Adult supervision is required at all times. Children do not have the judgement necessary to avoid many accidents. Be sure that children operating this vehicle can do so safely and that they are supervised at all times.
- Never use near steps, driveways, steep inclines, roadways, alleys, swimming pool areas or other bodies of water.
- Always wear shoes or sneakers when operating this vehicle.
- Never allow more than one rider.
- The rider should sit on the seat when vehicle is in operation.
- Hot motor covers. Do not touch.
- Never alter this vehicle or its motor drive system in any way.
- Never allow children to fill motor with gasoline. Fueling and maintenance should be done by adults only.
- Read Tecumseh Engine Operator's Manual for engine starting, care, and maintenance.

# **RULES FOR SAFE DRIVING**

## **WARNING**

- Improper use of this vehicle could lead to a serious or fatal accident. Allow children to play with this vehicle only when you have determined that they can do so safely. Follow all instructions to help your child enjoy this vehicle as safely as possible.

## **TEACH SAFETY RULES TO CHILDREN**

- While children can quickly develop the skill necessary to drive this vehicle, it is important to remember that their judgement skills are still very immature. Unsupervised driving by children can lead to serious injury. Before children use the Yerf-Dog Pup, an adult should carefully evaluate the driving area as well as the children's skill level and ability to drive this vehicle safely. Children are not always able to recognize or anticipate hazards, even when they have been taught about them. There is no acceptable substitute for adult supervision.
  - Teach appropriate safety rules to your child before allowing operation of this vehicle. These rules should also be reviewed with neighborhood children or other playmates who want to drive this vehicle.
1. Do not allow any child to drive the vehicle in the street or near moving (motorized) vehicles.
  2. Do not allow any child to drive near bodies of water (such as pools or creeks), obstructions (such as furniture, low tree limbs or play equipment), or drop-offs (such as stairs or decks).
  3. Do not allow any child to drive the vehicle in the dark. A child could encounter unexpected obstacles and have an accident. Operate the vehicle only in the day-time or in well-lit area.
  4. Teach your child to avoid driving on steep inclines or slopes. Restrict your child's driving to areas that are fairly level with gentle inclines or slopes of no more than 10 degrees.
    - While driving down a steep slope, the vehicle may gain unsafe speed, even if the foot pedal is released to stop.
    - While driving across a steep slope, the vehicle may tilt and tip over. The wheels could lose traction, causing the vehicle to slip.
    - While driving up a steep incline, the motor may stop and the vehicle could roll backwards at an unsafe speed.

5. Do not operate this vehicle with more than one rider, seated on the seating area. A child who is not sitting on the seat or who is standing on the vehicle could fall off, cause a tip-over or block the driver's view. A child could be seriously injured.
6. Always wear shoes or sneakers when operating this vehicle.
7. Never put anything near any moving parts. Rotating parts such as motors, gear-boxes and wheels can snag fingers, hair, loose clothing, etc., causing serious injury.
8. Do not allow operation of the vehicle when it is on its side or in an upside-down position.
9. Do not operate the vehicle near flammable vapors (gasoline, paint thinner, acetone, liquid wax, etc.). Keep all flammable products in tightly sealed containers and away from the vehicle.
10. Do not allow a child to operate the vehicle without proper adult supervision.

## **TIRE PRESSURE**

Often manufacturers of tires will over inflate the tires for a tight seal. Make sure the tire pressure is 40 PSI. Deflate tires to the specified pressure if needed.

# VEHICLE REGISTRATION AND WARRANTY CONFIRMATION

## ***IMPORTANT!***

*Please return this information within 10 days of purchase to validate your warranty.*

*Return to:*

**F.F. Acquisition Corp.  
YERF-DOG Warranty Dept.  
P.O. Box 1296  
West Point, MS 39773**

Thank-you for purchasing this fine YERF-DOG product. With proper use, maintenance and service this cart will bring many years of fun and enjoyment. Please complete this vehicle registration and warranty confirmation form to ensure protection under the terms and conditions of the warranty and to verify ownership of this product.

To ensure maximum safety while operating your YERF-DOG Fun Kart, observe the following precautions:

**OPERATE THIS CART OFF ROAD ONLY  
ADULT SUPERVISION FOR ALL OPERATORS  
WEAR A D.O.T. APPROVED HELMET, PROTECTIVE EYE WEAR, AND CLOTHING  
SECURE LONG HAIR AND LOOSE CLOTHING; KEEP ARMS, LEGS, AND FEET INSIDE THE CART  
DO NOT OPERATE UNDER THE INFLUENCE OF DRUGS OR ALCOHOL**

To ensure maximum owner satisfaction and understanding of this product, you should:

**READ OWNERS MANUAL BEFORE OPERATING CART  
REVIEW AND FULLY UNDERSTAND THE CART AND ENGINE WARRANTIES  
INSPECT THE CART UPON DELIVERY  
SECURE A COMPLETED COPY OF THIS CERTIFICATE FOR YOUR RECORDS**

In signing this document, the purchaser acknowledges that he/she understands the warranty limitations, safety, and maintenance guidelines outlined above and in the owner's manual and, therefore, agrees that all riders/operators will adhere to these specifications.

---

Model No.

---

Serial No.

---

Date of Purchase

---

First Name

---

Initial

---

Last Name

---

Street Address

---

City

---

State

---

Zip Code

---

Home Telephone Number

---

Parent's Signature

**(Please enclose a copy of your proof of purchase.)**

---

# YERF-DOG Fun-Karts by Flexible Flyer

## LIMITED WARRANTY

The *Limited Warranty* on this vehicle is in two (2) parts:

We offer the original purchaser of this product the following warranty:

### ***PART 1***

#### **ENGINE**

Tecumseh warrants the engine for (1) year, not Flexible Flyer. See Tecumseh Engine Owner's Manual. Engine repair, replacement parts, and warranty claims must be handled through an authorized dealer in your locality. Tecumseh has an extensive authorized sales and service dealer network. (See yellow pages of phone directory under "Engine-Gas").

### ***PART 2***

#### **FRAME**

The frame and related components are warranted by Flexible Flyer and are applied to any part found to be defective due to material and/or workmanship when inspected at the Flexible Flyer factory. Flexible Flyer will at its' option, repair or replace the defective parts to the original purchaser at no charge.

The warranty periods are as follows from the date of purchase:

- A. Frame for 90 days, Void if:
  - 1. Frame is broken or bent due to abuse (underside scraped abusively).
  - 2. Wheels are bent or broken due to impact.
  - 3. Spindles are bent due to impact.
  - 4. Paint is worn off of rear bumper indicating an extra rider.
  - 5. Axles are bent out of ordinary position either horizontally or vertically.
  - 6. Non-Factory altering of engine or it's components
- B. Transmission assembly for 30 days.
- C. Clutch for 30 days against breakage of its parts. No warranty is applied for wear of clutch shoes or clutch bearings due to service.
- D. Throttle cable, brake cable, brake band, chain, tires, seat, shocks, fasteners and other components are not warranted because due to normal service they are subject to excessive wear and abuse.

All Warranties are voided if the vehicle has been altered in any way or is used in racing or competition, rented, used under abnormal conditions, or subject to abuse, misuse, neglect, or improper maintenance.

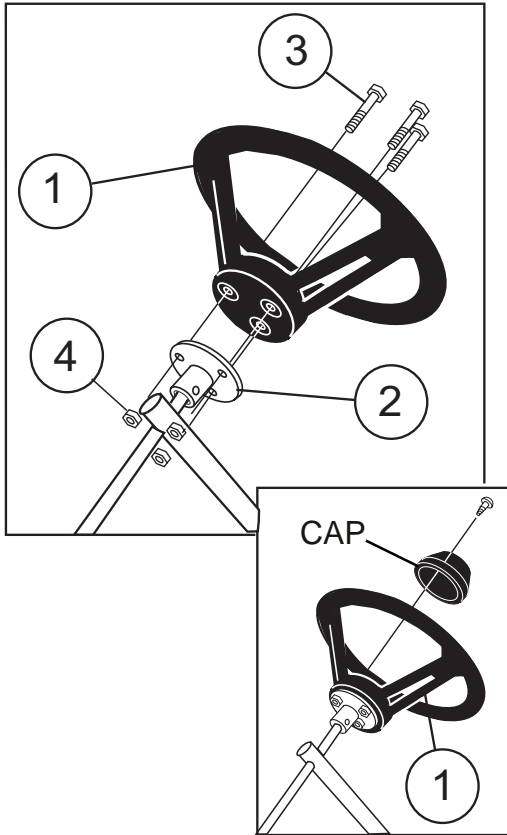
**Flexible Flyer is not liable for any damage claim or liability claim, personal or otherwise resulting from the operation of this vehicle in any way.**

# PARTS LIST

Item	Part No.	Description	Qty.
1	H92560W	STEERING WHEEL	1
2	32012206	STEERING HUB	1
3	H32503W	1/4" x 1-3/4" HEX BOLT	7
4	001203P	1/4" NYLOCK NUT	16
5	23000506	STEERING SHAFT	1
6	27000300	3/16" x 3/4" SPRING PIN	1
7	70001100	SEAT	1
8	30001706	SEAT SUPPORT	1
9	22001500	1/4" x 2-1/4" HEX HEAD BOLT	8
10	001812P	9/32" FLAT WASHER	16
11	2400170A	#6 x 5/8" SCREW	12
12	30001906	BRUSH GUARD RIGHT	1
13	30001806	BRUSH GUARD LEFT	1
14	30002006	BRUSH GUARD UPRIGHT	2
15	31001606	BRUSH GUARD BRACE	1
16	43000409	48" YELLOW FOAM PAD	2
17	43000309	24" YELLOW FOAM	2
18	43000509	12" YELLOW FOAM	1
19	32010806	WELDED FRAME PURPLE	1
20	32001006	RIGHT SPINDLE	1
21	32001106	LEFT SPINDLE	1
22	22001600	1/4" x 3/4" BOLT HEX HEAD	2
23	31000206	STEERING TIE ROD	1
24	36000400	FRONT WHEEL W/ BEARING	2
25	36000500	REAR WHEEL W/ BEARING	1
26	36000600	REAR DRIVE WHEEL	1
27	70001500	1/2" PLASTIC PUSH NUT	4
28	70001600	3/4" PLASTIC PUSH NUT	2
29	31001706	STEERING BRACKET	1
30	26000500	SEAT BELT	1
31	35000200	GAS PEDAL SHAFT	1
32	25001000	STEEL 3/8" PUSH NUT	2
33	H32506W	1/4" x 1" CARRIAGE BOLT	2
34	31000806	GAS PEDAL	1
35	31001006	GAS PEDAL BRACKET	1
36	70000100	PLASTIC FLOOR	1
37	70002800	LEFT PLASTIC SIDE PANEL	1
38	31000606	FLAG SWITCH BRACKET	1
39	7200010A	PLASTIC HOUSING	1
40	8300000A	MICRO SWITCH ON/OFF	1
41	05000209	FLAG	1
42	55001109	CLOTH SIDE PANEL	2
43	36000800	GAS AND BRAKE CABLE	1
44	36000900	THROTTEL CABLE	1
45	M12501W	11" CABLE TIE	4
46	00204	SPRING CLIP	1
47	22001400	1/4" X 1 1/2" HEX HEAD BOLT	6
48	62002000	DECAL SHEET	1
49	31000906	EXHAUST COVER	1
50	36001000	CLUTCH	1
51	23000400	ENGINE SUPPORT ROD	1
52	001205P	3/8" NUT NYLOCK	8
53	23000000	3/8" SQUARE U-BOLT	1
54	84000010	TRANSMISSION ASSEMBLY	1
55	23000100	5/16" U-BOLT	2
56	36000100	BRAKE DRUM	1

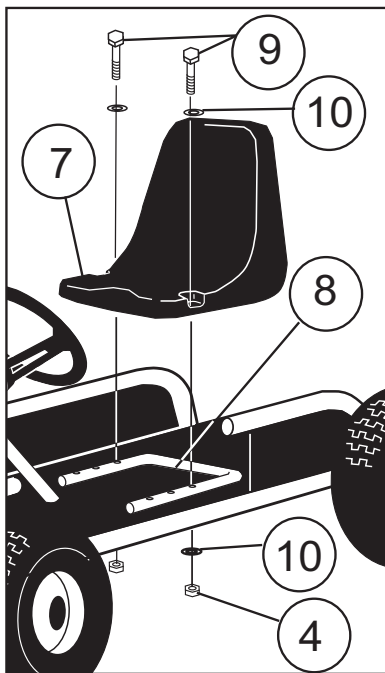
Item	Part No.	Description	Qty.
57	001616P	3/8" FLAT WASHER	2
58	27000200	3/16" X 3/16" X 3/4" KEY	2
59	22001100	1/4" OPEN END EYE BOLT	1
60	31000706	BRAKE BAND BRACKET	1
61	36000000	BRAKE BAND	1
62	001412P	1-1/8" X 5" SPRING	1
63	84000000	ENGINE 2.0 HP	1
64	31006206	SPACER PLATE	1
65	2500020A	5/16" NYLOCK NUT	4
66	26000700	PLASTIC FASTENER	19
67	70002700	RIGHT PLASTIC SIDE PANEL	1
68	M00531W	7/8" WHITE PLUG	3
69	000710P	1/4" LOCK WASHER	16
70	Q33100W	ASSY. TOGGLE KILL SWITCH	1
71	81000600	WIRE HARNESS	1
72	M01250W	5" CABLE TIE	4
73	2400060A	#10 x 5/8" PLASTITE SCREW	2
74	2400160A	#4 X 5/8" SCREW	2
75	31006306	THROTTLE/BRAKE BRACKET	1
76	00456	RIVET (Not Shown)	12
77	00457	RIVET WASHER (Not Shown)	24
78	2400080A	#8 X 3/8" SCREW	2
79	01070	DRIVE SPACER	2
80	H91470W	E-CLIP	1
81	60004409	OWNER'S MANUAL	1

## ASSEMBLY



1. ATTACH STEERING WHEEL (1) TO STEERING BRACKET (2) USING 1/4" BOLTS (3) AND NYLOCK NUTS (4).

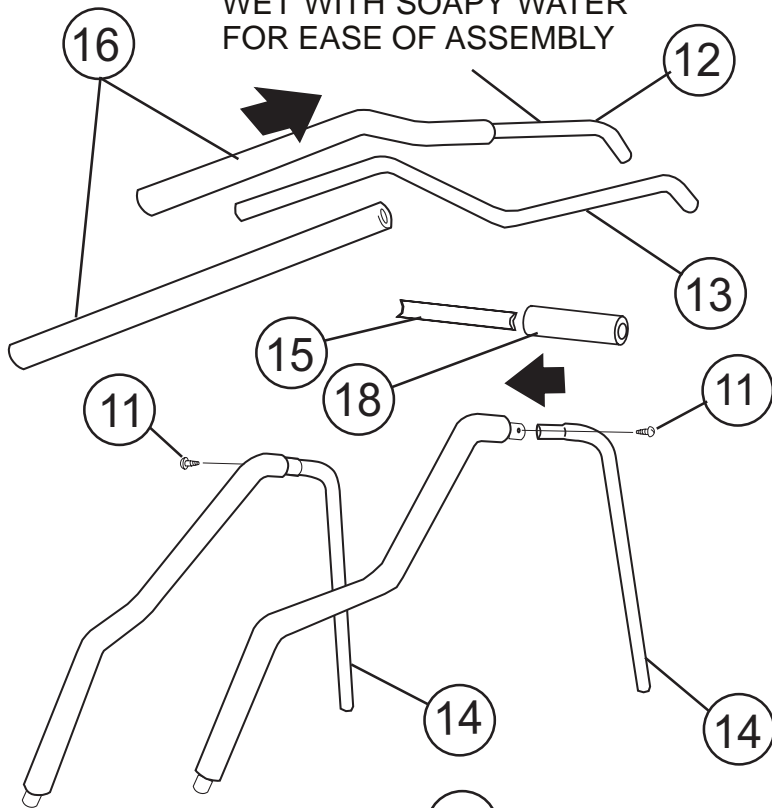
2. PLACE CAP ON STEERING WHEEL (1).



3. ADJUST SEAT (7) TO FIT CHILD USING ONE OF THE THREE POSITIONS IN SEAT BRACKET (8) USE BOLT (9) WASHER (10), NYLOCK NUT (4).



WET WITH SOAPY WATER  
FOR EASE OF ASSEMBLY

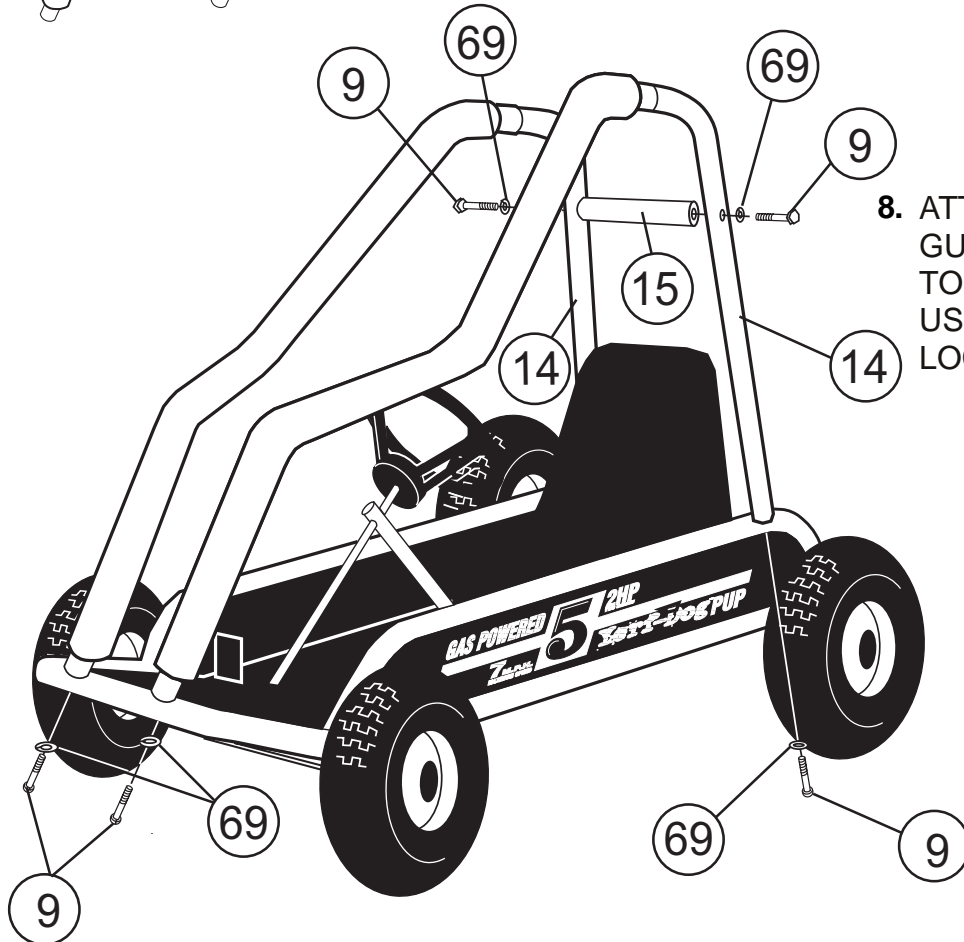


4. SLIDE FOAM PIECES (16)  
ONTO FRONT RAILS (12),  
(13).

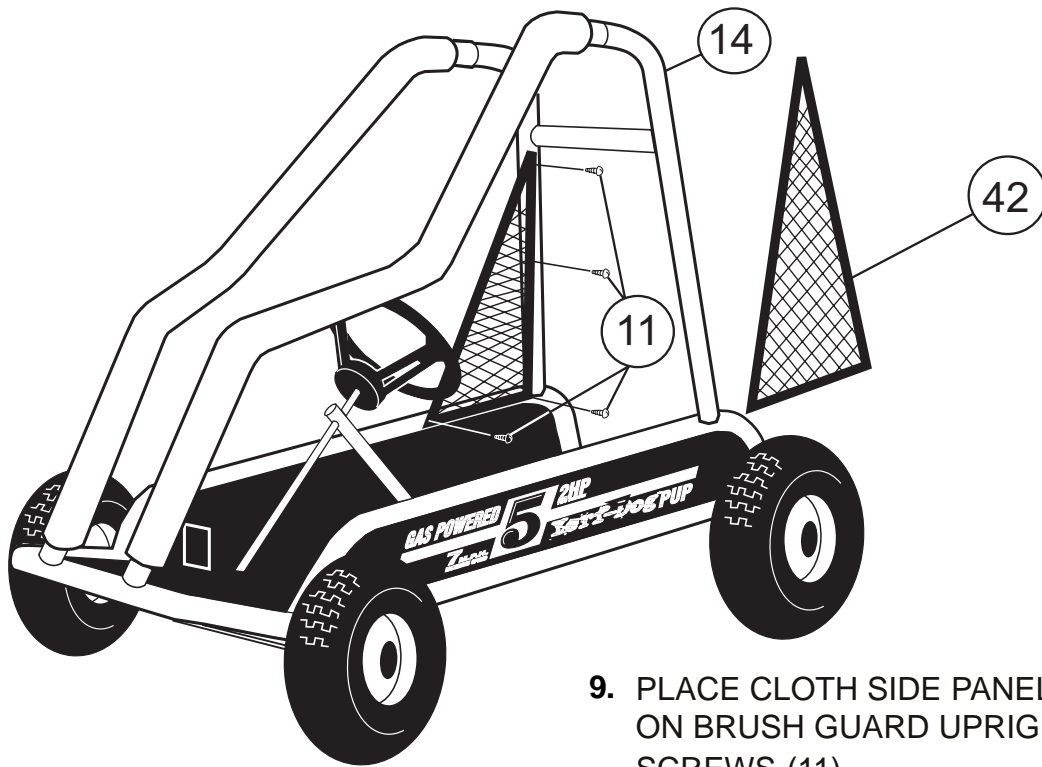
5. SLIDE FOAM PIECE (18)  
OVER BRUSH GUARD  
BRACE (15).

6. ATTACH FOAM FRONT RAIL  
ASSEMBLIES TO BRUSH  
GUARD UPRIGHTS (14),  
USING SCREWS (11).

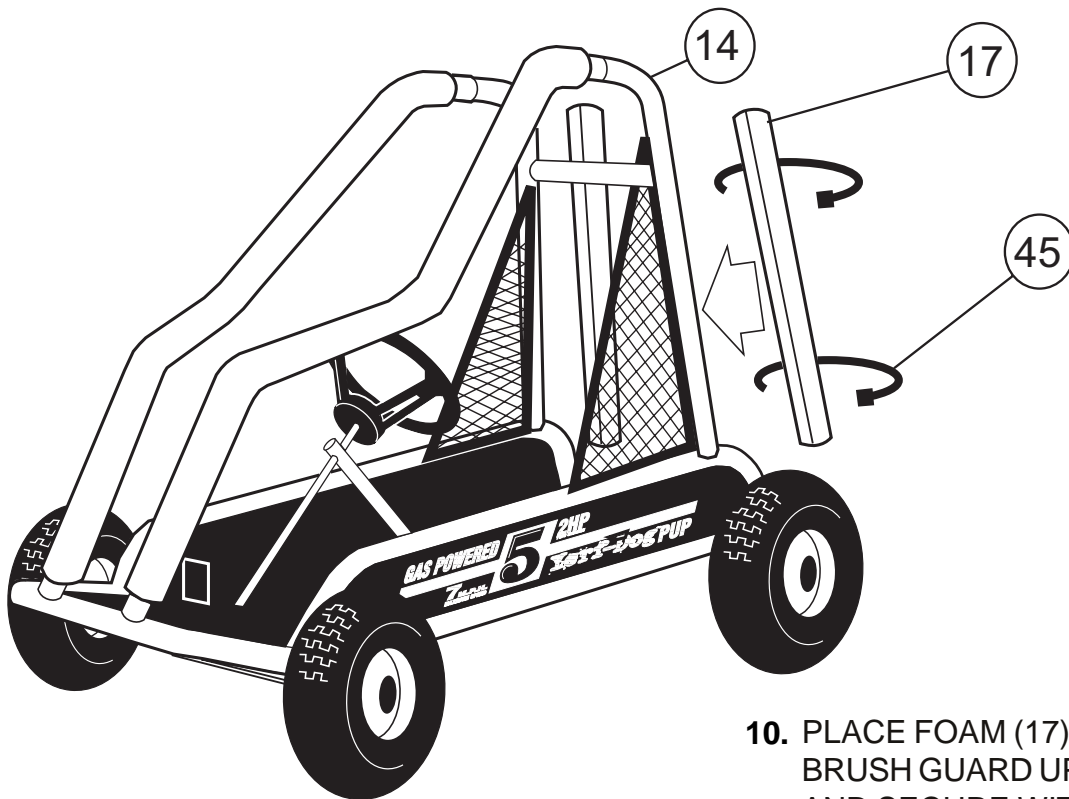
7. ATTACH RAIL ASSEMBLIES  
TO KART USING BOLTS (9)  
LOCK WASHERS (69).



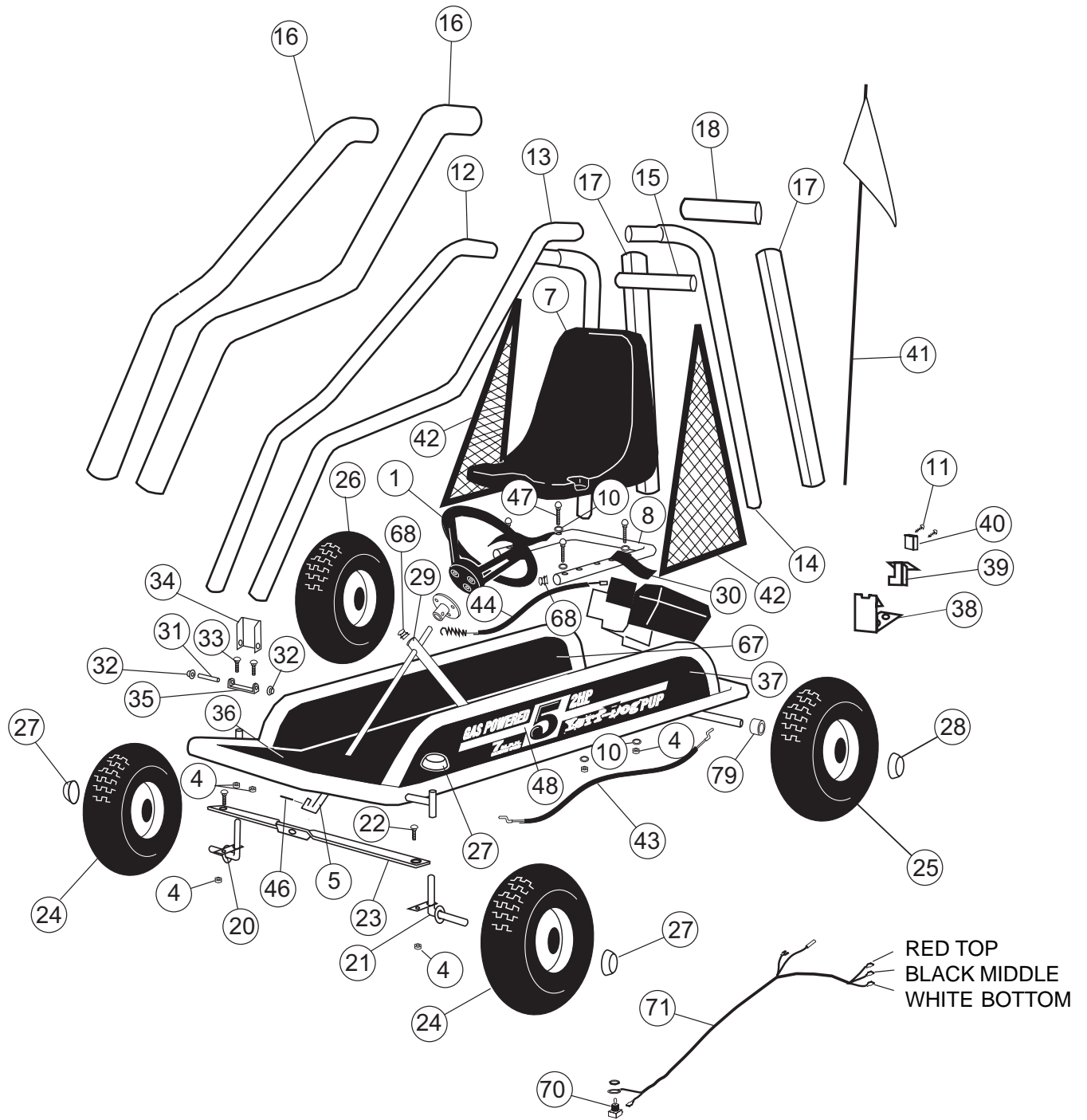
8. ATTACH BRUSH  
GUARD BRACE (15)  
TO UPRIGHTS (14),  
USING BOLTS (9) AND  
LOCK WASHERS (69).

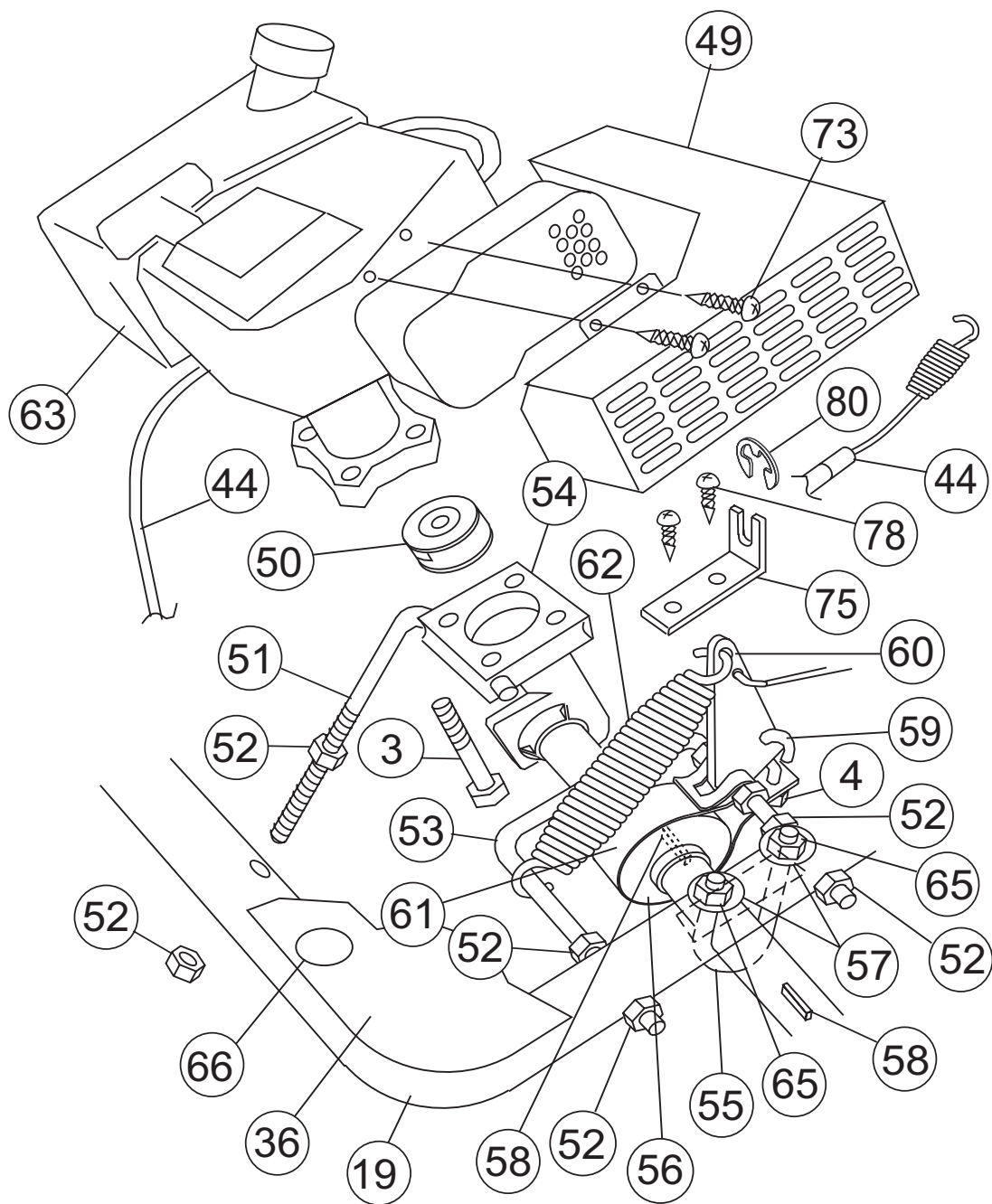


9. PLACE CLOTH SIDE PANEL (42) ON BRUSH GUARD UPRIGHTS (14) USE SCREWS (11).



10. PLACE FOAM (17) ONTO BRUSH GUARD UPRIGHTS (14) AND SECURE WITH CABLE TIES (45).





## TROUBLESHOOTING ENGINE OPERATION PROBLEMS

<p><b>OVERHEATS</b> (Possible Situations)</p> <ol style="list-style-type: none"><li>1) Excessive engine loading.</li><li>2) Lack of proper lubrication.</li><li>3) Cooling air flow obstructed or clogged cooling fins.</li></ol>	<p>(Possible Solutions)</p> <ol style="list-style-type: none"><li>1) Make sure the engine is not being overloaded. Remove excess load.</li><li>2) Make sure the fuel mixture contains the correct ratio of certified 2-cycle oil to gasoline. Replace the fuel supply if questionable.</li><li>3) Check for clogged cooling fins or obstructions to the air flow.</li></ol>
<p><b>SURGES OR RUNS UNEVENLY</b> (Possible Situations)</p> <ol style="list-style-type: none"><li>1) Fuel cap vent obstructed.</li><li>2) Dirty air Filter.</li></ol>	<p>(Possible Solutions)</p> <ol style="list-style-type: none"><li>1) Check the fuel cap to make sure it is venting. Loosen the cap and retry engine operation.</li><li>2) Replace or clean the air filter if applicable.</li></ol>
<p><b>ENGINE MISFIRES</b> (Possible Situations)</p> <ol style="list-style-type: none"><li>1) Wrong or fouled spark plug.</li></ol>	<p>(Possible Solutions)</p> <ol style="list-style-type: none"><li>1) Check the spark plug for a fouled condition. Replace if questionable.</li></ol>
<p><b>ENGINE VIBRATES EXCESSIVELY</b> (Possible Situations)</p> <ol style="list-style-type: none"><li>1) Bent crankshaft.</li><li>2) Loose mounting bolts.</li></ol>	<p>(Possible Solutions)</p> <ol style="list-style-type: none"><li>1) Remove the engine drive and check the attached equipment for an out of balance condition.</li><li>2) Check the engine mounting bolts, make sure they are tight.</li></ol>
<p><b>LACKS POWER</b> (Possible Situations)</p> <ol style="list-style-type: none"><li>1) Air intake obstructed.</li><li>2) Lack of lubrication.</li><li>3) Crankcase seals or gaskets leaking.</li></ol>	<p>(Possible Solutions)</p> <ol style="list-style-type: none"><li>1) Check the air intake for an obstruction (dirty filter, saturated filter, or other debris).</li><li>2) Check the fuel / oil mixture for the gasoline being fresh and the proper amount and kind of oil used. Replace if questionable.</li><li>3) Inspect the intake gaskets, crankcase seals or gaskets for a leaking condition. Use a commercially available crankcase pressure tester and follow the testers recommended test procedure.</li></ol>
<p><b>WILL NOT START</b> (Possible Situations)</p> <ol style="list-style-type: none"><li>1) Toggle switch not turned on.</li><li>2) Safety flag not inserted.</li><li>3) Out of gas and oil mixture.</li></ol>	<p>(Possible Solutions)</p> <ol style="list-style-type: none"><li>1) Make sure toggle switch is turned on and that no wires have been pulled out of housing.</li><li>2) Check to make sure the safety flag is inserted and that no wires have been pulled out of housing.</li><li>3) Refer to Tecumseh owner's manual for starting engine.</li></ol>

# MAINTENANCE INFORMATION

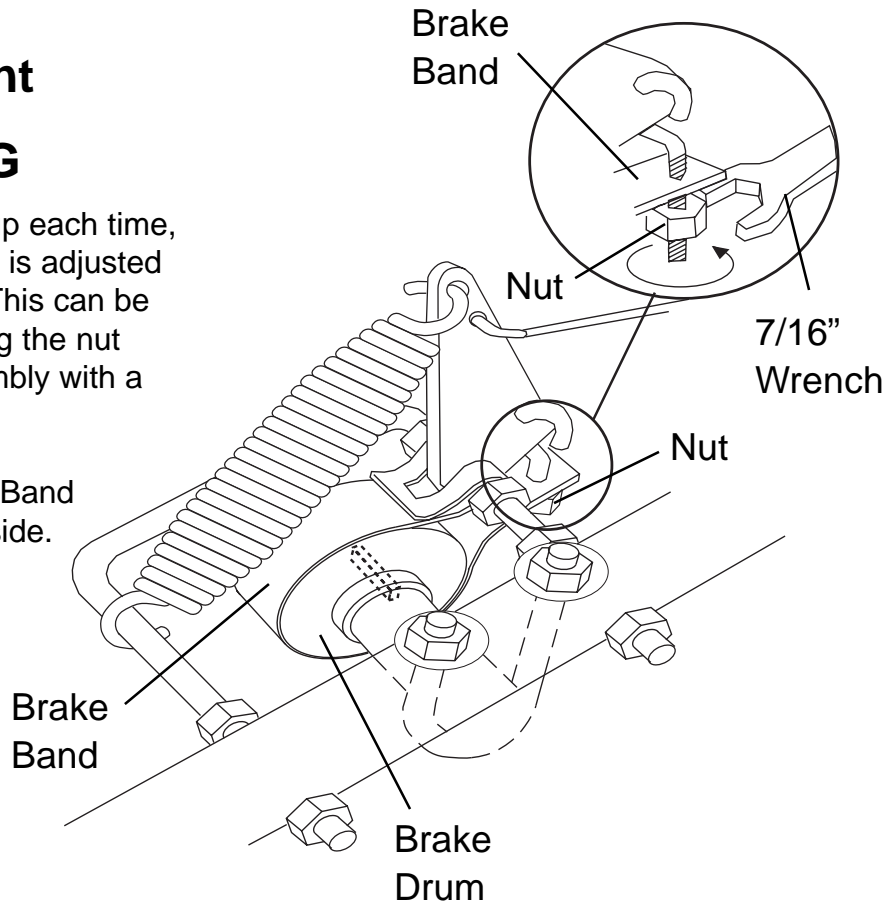
## Brake Adjustment

### WARNING

Before starting the Yerf Pup each time, make sure the brake band is adjusted tight on the brake drum. This can be accomplished by tightening the nut shown on the brake assembly with a 7/16" Wrench.

Brake is tight when Brake Band cannot be moved side to side.

**Note:** Do Not over tighten.



## Safety Flag Maintenance

Periodic maintenance requires cleaning safety flag assembly.

For smooth operation of safety flag, clean housing and flag tip after every 5 hours of use. This can be accomplished by cleaning flag tip with a rag and housing with a cotton swab

