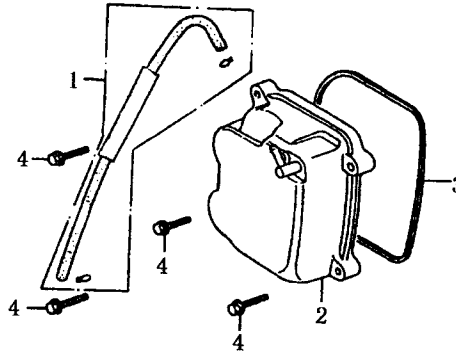
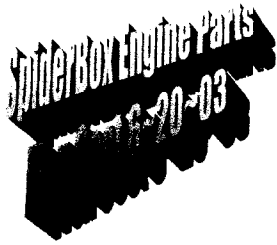
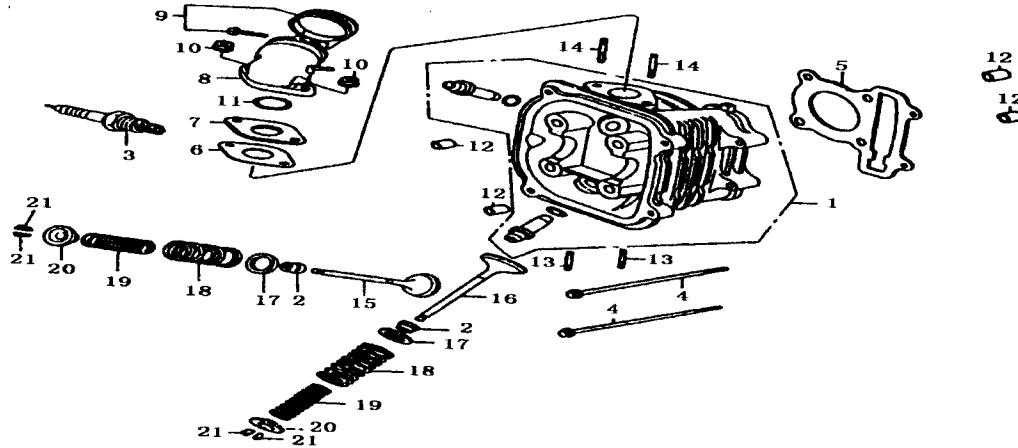


# COVER COMP CYLINDER HEAD



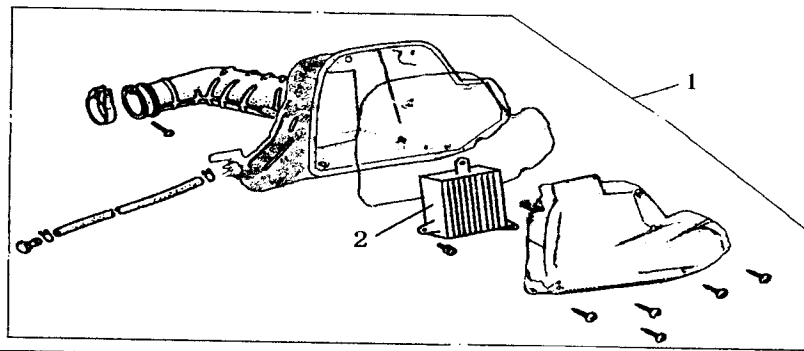
REF. No.	DESCRIPTION	Q'TY	FF PART NO.
1	TUBE BREATHER	1	05823
2	CYLINDER HEAD COVER	1	05824
3	GASKET HEAD COVER	1	05825
4	BOLT FLANGE M6X25	4	05903

# CYLINDER HEAD COMP



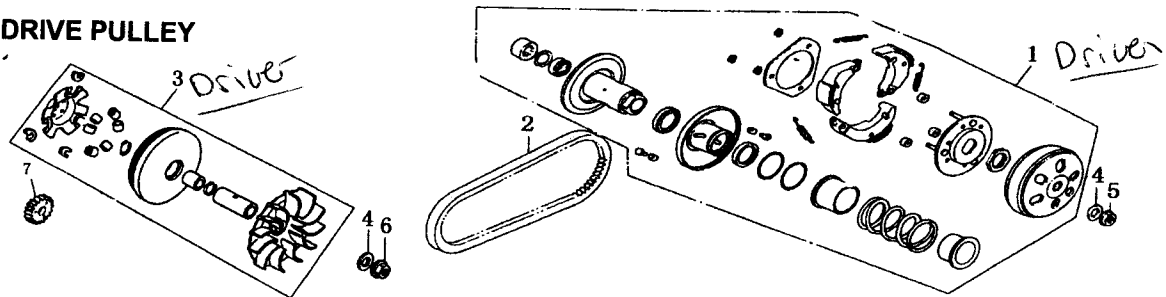
REF. No.	DESCRIPTION	Q'TY	FF PART NO.
1	HEAD COMP CYLINDER	1	05838
2	SEAL VALVE STEM	2	05839
3	PLUG SPARK	1	05840
4	BOLT FLANGE M6X100	2	05841
5	GASKET CYLINDER HEAD	1	05842
6	GASKET CARBURETOR INSULATOR	1	05843
7	INSULATOR CARBURETOR	1	05844
8	PIPE COMP IN	1	05845
9	BAND INSULATOR	1	05846
10	NUT FLANGE M6	2	05847
11	O-RING 28.5X1.8	1	05848
12	PIN DOWEL 10X16	4	05849
13	BOLT 2 STUD M6X35	2	05850
14	BOLT 2 STUD M6X50	2	05851
15	VALVE EX	1	05852
16	VALVE IN	1	05853
17	SEAT VALVE SPRING OUTER	2	05854
18	SPRING VALVE OUTER	2	05855
19	SPRING VALVE INNER	2	05856
20	RETAINER VALVE SPRING	2	05857
21	COTTER VALVE	4	05858

### AIR CLEANER



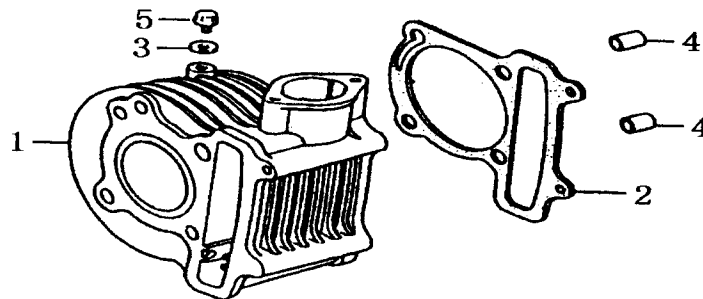
REF. No.	DESCRIPTION	Q'TY	FF PART NO.
1	AIR CLEANER	1	05860
2	ELEMENT COMP AIR CLEANER	1	05861

### DRIVE PULLEY



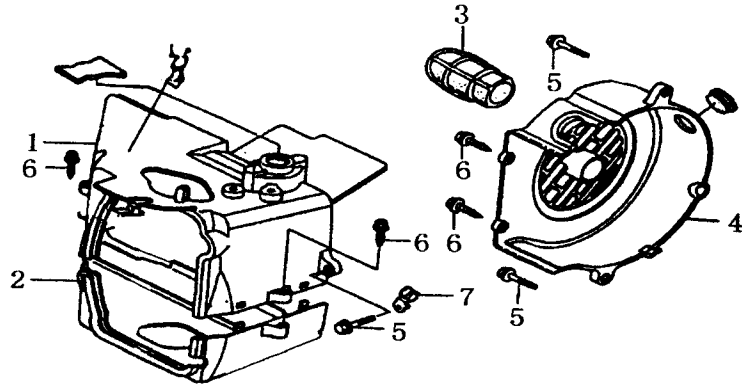
REF. No.	DESCRIPTION	Q'TY	FF PART NO.
1	PULLEY ASSY DRIVEN	1	05881
2	BELT DRIVE	1	05882
3	PULLEY ASSY.MOVEABLE DRIVEN	1	05883
4	WASHER PLAIN 12MM	2	05884
5	NUT FLANGE 12X1.25MM	1	05885
6	NUT FLANGE 12X1.25MM	1	05885
7	GEAR KICK	1	05887

### CYLINDER COMP



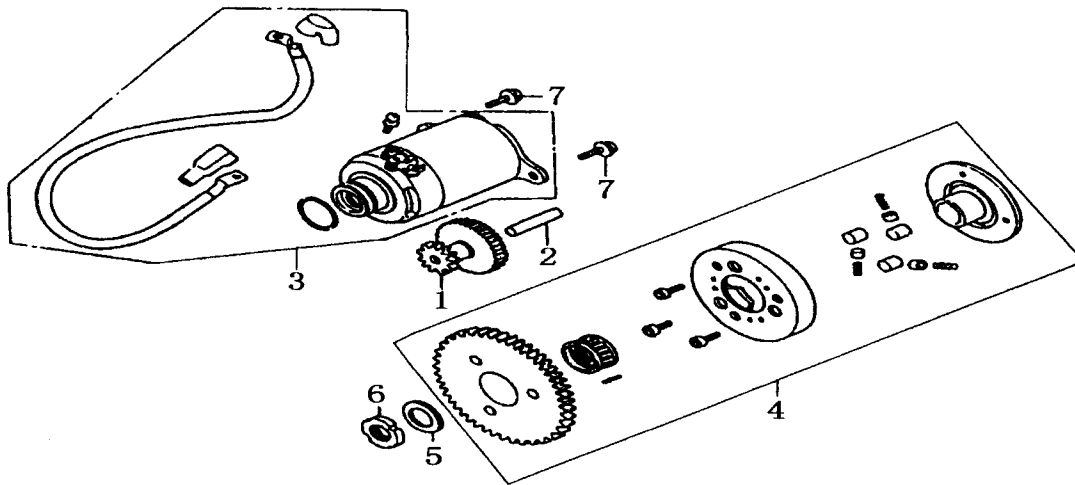
REF. No.	DESCRIPTION	Q'TY	FF PART NO.
1	CYLINDER COMP	1	05888
2	GASKET CYLINDER	1	05889
3	WASHER SEALING 6.5MM	1	05890
4	PIN DOWEL 10X16	2	05849
5	BOLT FLANGE6X12	1	05892

## FAN COVER SHROUD



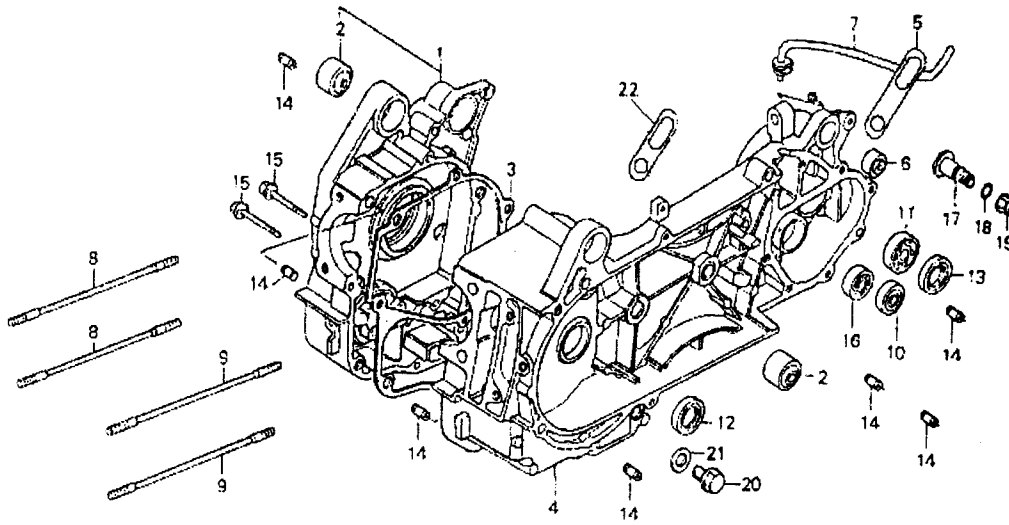
REF. No.	DESCRIPTION	Q'TY	FF PART NO.
1	UP SHROUD COMP	1	05899
2	DOWN SHROUD COMP	1	05900
3	DUCT CARBURETOR COOLING	1	05901
4	COVER COMP FAN	1	05902
5	BOLT FLANGE 6X25	3	05903
6	SCREW TAPPING ST4.8X16	4	05904
7	CLAMPER CARB DRAIN TUBE	1	05905

## STARTING MOTOR □ MOTOR STARTER COMP



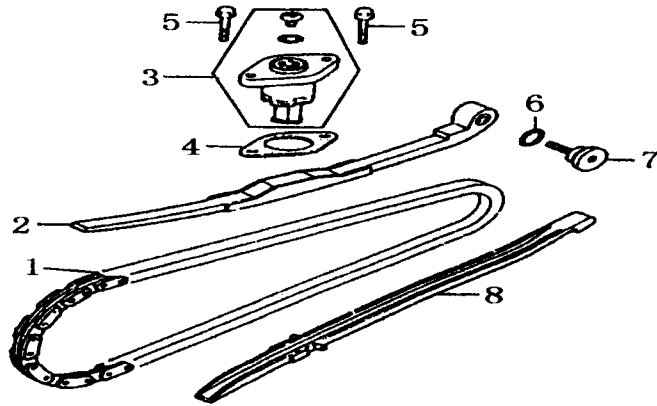
REF. No.	DESCRIPTION	Q'TY	FF PART NO.
1	GEAR STARTER REDUCTION	1	05929
2	SHAFT STARTER REDUCTION GEA	1	05930
3	MOTOR ASSY STARTER	1	05931
4	STARTER CLUTCH	1	05932
5	WASHER THRUST	1	05933
6	NUT LOCK	1	05934
7	BOLT FLANGE 6X16	2	05869

# CRANKCASE COMP



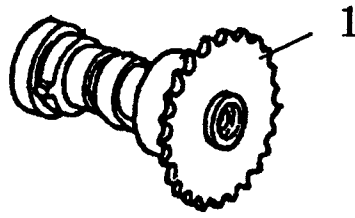
REF. No.	DESCRIPTION	Q'TY	FF PART NO.
1	CRANKCASE ASSY RIGHT	1	05951
2	BUSH ENGINE HANGER RUBBER	1	05952
3	GASKET CRANKCASE	1	05953
4	CRANKCASE ASSY LEFT	1	05954
5	AIR CLEANER CONNECT FRONT	1	05955
6	BUSH RR CUSHION UNDER RUBBER	1	05956
7	TUBE BREATHER	1	05957
8	BOLT STUD 8X187	2	05958
9	BOLT STUD 8X195	2	05959
10	BEARING RADIAL BALL 102	1	05960
11	BEARING RADIAL BALL 180104	1	05961
12	OIL SEAL 19.8X30X5	1	05921
13	OIL SEAL 27X42X7	1	05963
14	PIN DOWEL 8X14	8	05964
15	BOLT FLANGE 6X50	2	05965
16	BEARING RADIAL BALL 301	1	05966
17	PIN BRAKE SHOE ANCHOR	1	05967
18	O-RING 7.5X1.5	1	05968
19	NUT FLANGE M8	1	05834
20	BOLT DRAIN PLUG 12MM	1	05970
21	WASHER DRAIN PLUG 12MM	1	05971
22	AIR CLEANER CONNECT REAR	1	05972

# CHAIN CAM COMP



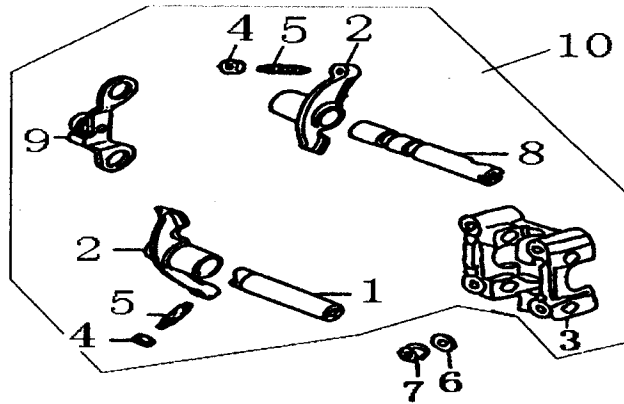
REF. No.	DESCRIPTION	Q'TY	FF PART NO.
1	CHAIN CAM	1	05980
2	TENSIONER CAM CHAIN COMP	1	05981
3	LIFTER ASSY TENSIONER	1	05982
4	GASKET TENSIONER LIFTER	1	05983
5	BOLT FLANGE 6X22	2	05984
6	O-RING 15.2X1.5	1	05985
7	PIVOT CAM CHAON TENSIONER	1	05986
8	GUIDE COMP CAM CHAIN	1	05987

## CAMSHAFT COMP



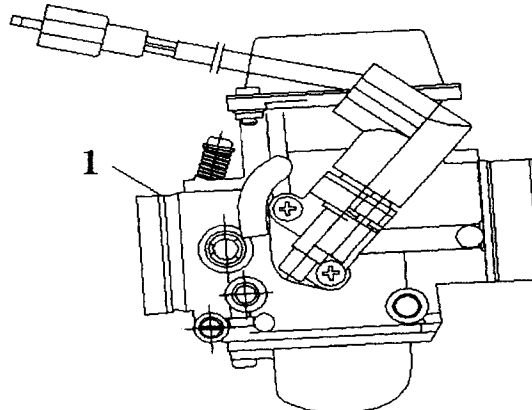
REF. No.	DESCRIPTION	Q'TY	FF PART NO.
1	CAMSHAFT	1	05827

## HOLDER CAMSHAFT COMP



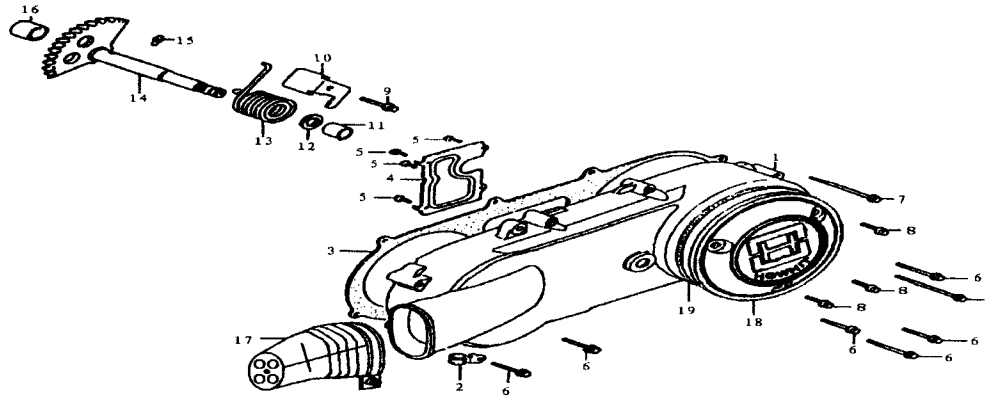
REF. No.	DESCRIPTION	Q'TY	FF PART NO.
1	SHAFT EX ROCKER ARM	1	05828
2	ARM VALVE ROCKER	2	05829
3	HOLDER CAMSHAFT	1	05830
4	NUT TAPPET ADJUSTING	2	05831
5	SCREW TAPPET ADJUSTING	2	05832
6	WASHER M8	4	05833
7	NUT FLANG M8	4	05834
8	SHAFT COMP IN ROCKER ARM	1	05835
9	PLATE COMP STOPPER	1	05836
10	HOLDER CAMSHAFT ASSY	1	05837

## CARBURETOR



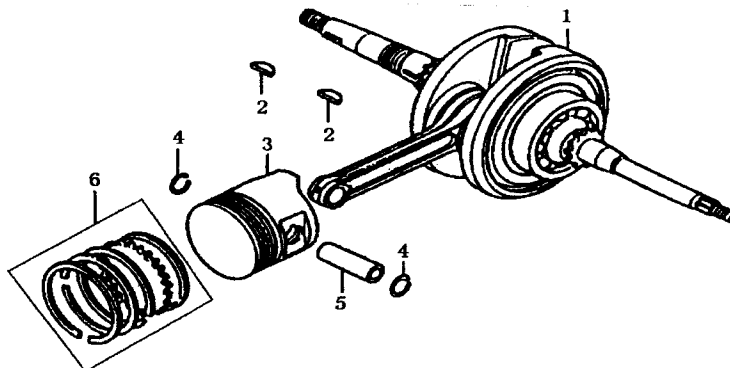
REF. No.	DESCRIPTION	Q'TY	FF PART NO.
1	CARBURETOR ASSY	1	06419

## LEFT CRANKCASE COVER



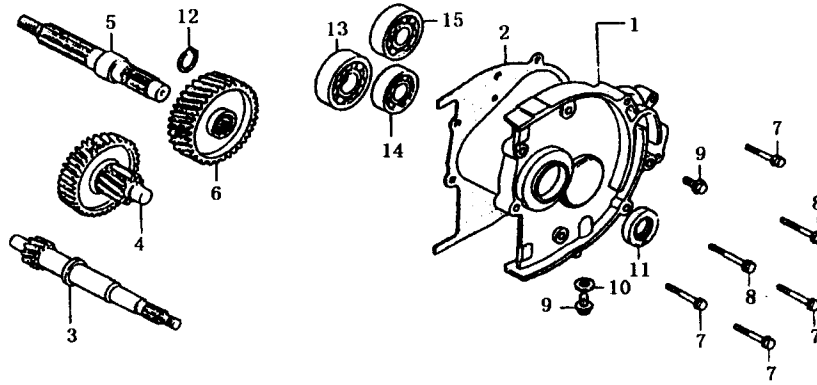
REF. No.	DESCRIPTION	Q'TY	FF PART NO.
1	COVER LEFT	1	05862
2	CLAMPR BRETHR DRAIN TUBE	1	05863
3	GASKET LEFT COVER	1	05864
4	PLATE LEFT COVER	1	05865
5	SCREW TAPPING 4X6	4	05866
6	BOLT FLANGE 6X40	6	05867
7	BOLT FLANGE 6X65	2	05868
8	BOLT FLANGE 6X16	3	05869
9	BOLT FLANGE 6X14	1	05870
10	KICK SPRING PLATE	1	05871
11	KICK AXLE BUSHING	1	05872
12	WASHING	1	05873
13	KICK SPRING	1	05874
14	KICK AXLE ASSY	1	05875
15	KICK AXLE PIN	1	05876
16	KICK BUSHING	1	05877
17	AIR STRAINER	1	05878
18	BRAND COVER	1	05879
19	GASKET BRAND COVER	1	05880

## CRANKSHAFT COMP



REF. No.	DESCRIPTION	Q'TY	FF PART NO.
1	CRANK SHAFT COMP	1	05893
2	KEY WOODRUFF	2	05894
3	PISTON	1	05895
4	CLIP PISTON PIN 15MM	2	05896
5	PIN PISTON	1	05897
6	PISTON RING	1	05898

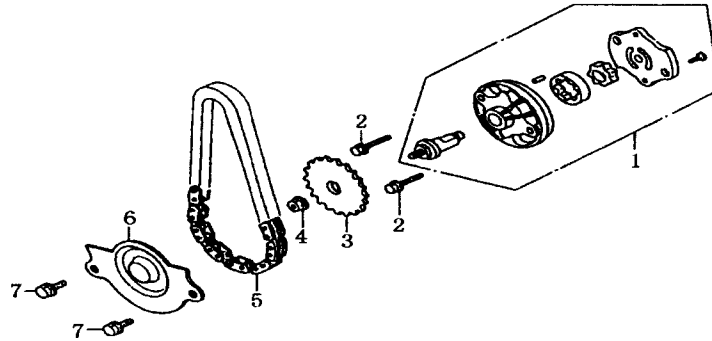
## TRANSMISSION COMP



REF. No.	DESCRIPTION	Q'TY	FF PART NO.
1	COVER MISSION ASSY	1	05936
2	GASKET MISSION COVER	1	05937
3	SHAFT DRIVE	1	05938
4	SHAFT COMP COUNTER	1	05939
5	SHAFT FINAL	1	05940
6	GEAR FINAL	1	05941
7	BOLT FLANGE 6X35	3	05924
8	BOLT FLANGE 6X28	3	05943
9	BOLT DRAIN PLUG M8	2	05944
10	WASHER 8MM	2	05945
11	OIL SEAL 20X32X16	1	05946
12	CIR CLIP EXTERNAL 20MM	1	05947
13	BEARING RADIAL 204	1	05948
14	BEARUING RADIAL 202	1	05949
15	BEARUING RADIAL 203	1	05950

## OIL PUMP COMP

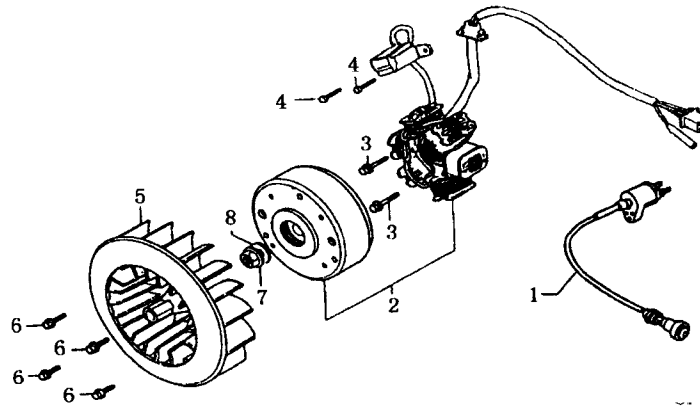
153FM.19



REF. No.	DESCRIPTION	Q'TY	FF PART NO.
1	OIL PUMP COMP	1	05973
2	BOLT FLANGE 6X25	2	05903
3	SPROCKET OIL PUMP DRIVEN	1	05975
4	NUT FLANGE M6	1	05847
5	CHAIN OIL PUMP	1	05977
6	SEPARTOR OIL	1	05978
7	BOLT FLANGE 6X12	2	05892

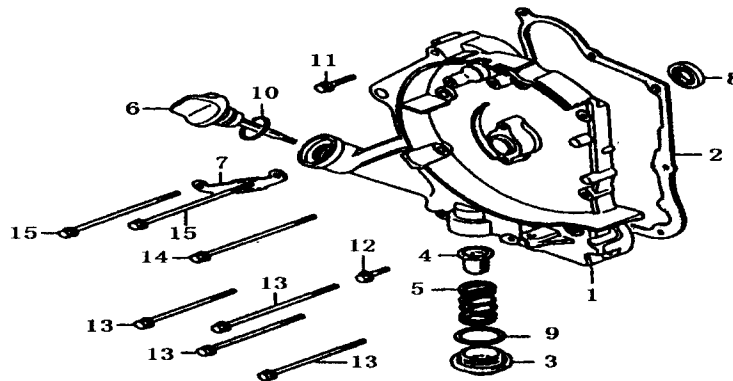


## GENERATOR COMP



REF. No.	DESCRIPTION	Q'TY	FF PART NO.
1	COIL ASSY IGNITION	1	05906
2	GENRATR FLYWHEEL TYPE A.C	1	05907
3	BOLT FLANGE 6X20	2	05908
4	BOLT FLANGE 5X12	2	05909
5	PAN COMP COOLING	1	05910
6	BOLT FLANGE 6X18	4	05911
7	NUT FLANGE 12X1.25	1	05885
8	WASHER PLAIN 12MM	1	05913

## RIGHT CRANKCASE COVER COMP



REF. No.	DESCRIPTION	Q'TY	FF PART NO.
1	RIGHT CRANK CASE COVER	1	05914
2	GASKET R CRANKCASE COVER	1	05915
3	CAP TAPPET ADJUSTING HOLE	1	05916
4	SCREEN OIL FILTER	1	05917
5	SPRING OIL FILTER SCREEN	1	05918
6	GAUGE OIL LEVEL	1	05919
7	CLAMPER A.C. GENERATOR CO	1	05920
8	OIL SEAL 19.8X30X5	1	05921
9	O-RING 18X3	1	05922
10	O-RING	1	05923
11	BOLT FLANGE 6X35	1	05924
12	BOLT FLANGE 6X32	1	05925
13	BOLT FLANGE 6X95	4	05926
14	BOLT FLANGE 6X110	2	05927
15	BOLT FLANGE 6X100	1	05841