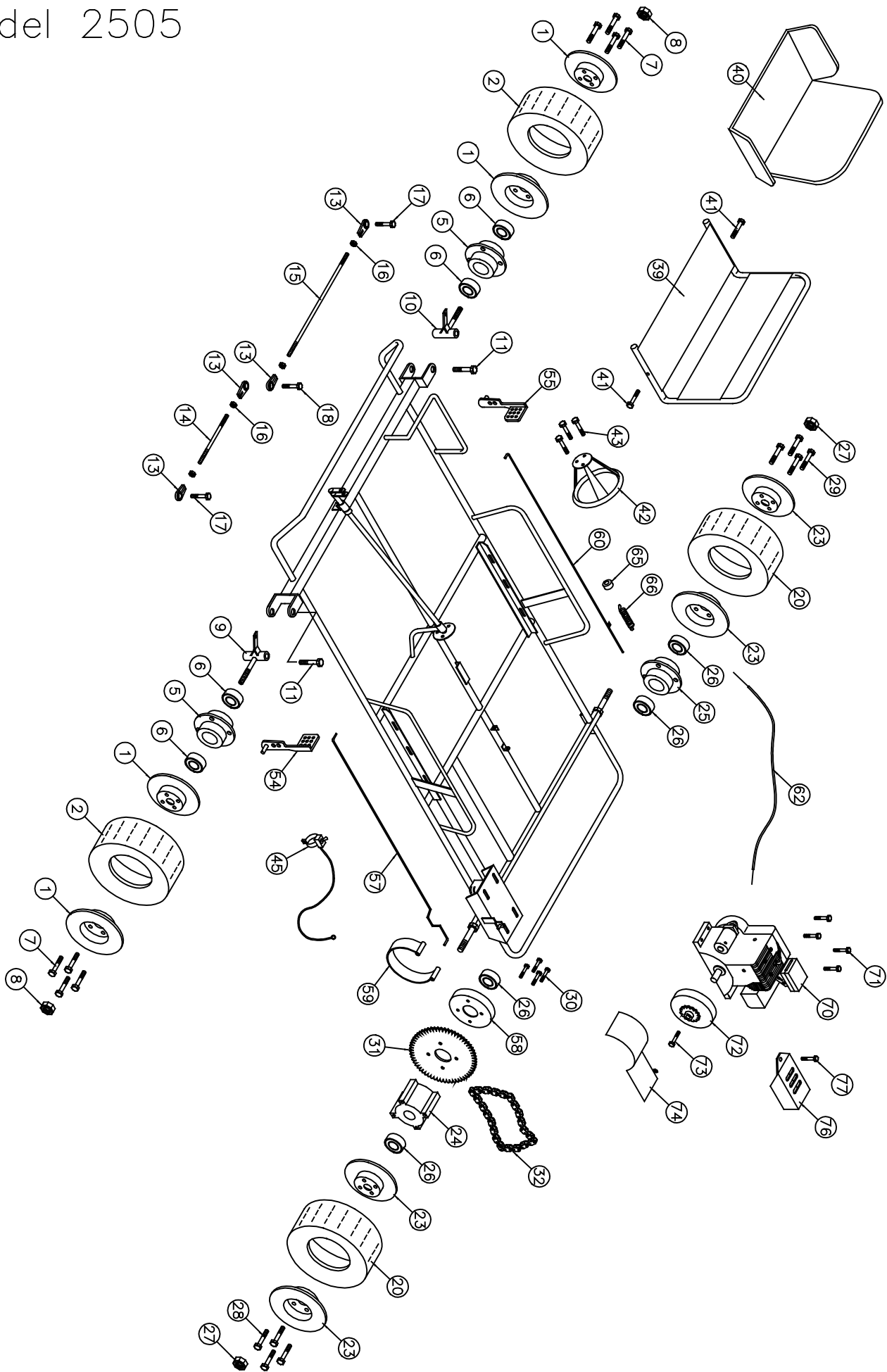


Model 2505



Super Wheels®

Go-Kart Parts List - Model 2505

| No | Part No | Description | Qty | No | Part No | Description | Qty |
|----------------------------|---------|--|-----|-------------------------------------|---------|---|-----|
| Front Wheel Section | | | | Frame Section | | | |
| (1) | G213 | Split rim wheel 5" (Set) | 2 | (38) | G685* | Seat Belt | 1 |
| (2) | G223 | Tire & Tube Assembly (4.10 x 3.50 x 5") | 2 | (39) | G687 | Metal Seat #3 | 1 |
| (3) | G214* | Tire (4.10 x 3.50 x 5") | 2 | (40) | G655 | Seat Cushion #3 (Hot Bodies) | 1 |
| (4) | G215* | Tube (4.10 x 3.50 x 5") | 2 | (41) | F958 | Bolt 5/16" x 1 1/2" w/ F.W., L.W. & H.Nut | 2 |
| (5) | G216 | Flange hub 1 3/8" Bore | 2 | (42) | G647 | Steering Wheel 10" (Deep Dish) | 1 |
| (6) | G204 | Bearing (1 3/8" OD x 5/8" ID) | 4 | (43) | F924 | Bolt 1/4" x 3/4" w/L.W. & Hex Nut | 3 |
| (7) | F962 | Bolt 3/8" x 3/4" (w/Lock Washer) | 8 | (44) | I229* | Cable tie | 1 |
| (8) | F328 | Lock nut 5/8" | 2 | (45) | G642 | Toggle Kill Switch w/ wire (48") | 1 |
| (9) | G227 | Spindle (left) | 1 | (46) | G102* | Flag | 1 |
| (10) | G228 | Spindle (right) | 1 | (47) | G121* | Flag holder | 1 |
| (11) | F996 | King pin bolt (1/2" x 3 3/4" w/(2)F.W. & L.N.) | 2 | (48) | G690* | Seat Adjuster | 1 |
| (12) | I215* | Grease fitting 1/4" (Spindles) | 2 | Throttle & Brake Section | | | |
| (13) | G207 | Tie rod bearing 3/8" | 4 | (54) | G433 | Brake pedal | 1 |
| (14) | G232 | Tie rod 3/8" x 6" | 1 | (55) | G434 | Gas pedal | 1 |
| (15) | G233 | Tie rod 3/8" x 16 1/2" | 1 | (56) | F504* | Cotter Pin (1/8" x 1") | 4 |
| (16) | F309 | Hex Nut 3/8" NF | 4 | (57) | G494 | Brake rod #24B (CBC) | 1 |
| (17) | F949 | Bolt 3/8" x 1 1/4" w/F.W. & Lock Nut | 2 | (58) | G428 | Brake drum | 1 |
| (18) | F948 | Bolt 3/8" x 2" w/(3)F.W. & (1) Lock Nut | 1 | (59) | G449 | Brake band | 1 |
| Rear Wheel Section | | | | (60) | G582 | Throttle rod #11TZ | 1 |
| (20) | G223 | Tire & Tube Assembly (4.10 x 3.50 x 5") | 2 | (62) | G488 | Throttle wire & conduit (31" Cable) | 1 |
| (21) | G214* | Tire (4.10 x 3.50 x 5") | 2 | (63) | G418* | Conduit Clip | 1 |
| (22) | G215* | Tube (4.10 x 3.50 x 5") | 2 | (64) | F935* | Bolt 3/16" x 3/4" w/L washer & nut | 1 |
| (23) | G213 | Split rim wheel 5" (Set) | 2 | (65) | F252 | Nyloc Nut | 1 |
| (24) | G222 | Drive hub 1 3/8" bore | 1 | (66) | I206 | Spring | 1 |
| (25) | G216 | Flange hub 1 3/8" bore | 1 | Engine Section | | | |
| (26) | G204 | Bearing (1 3/8" OD x 5/8" ID) | 4 | (70) | E104 | Briggs & Stratton 5 hp Engine (136212) | 1 |
| (27) | F328 | Lock nut 5/8" | 2 | (71) | F970 | Bolt 5/16" x 1 3/4" w/F.W., L.W. & H.Nut | 4 |
| (28) | F947 | Bolt 3/8" x 1" w/Lock washer | 4 | (72) | G728 | Centrifugal Sprocket Clutch (#41-10T) | 1 |
| (29) | F962 | Bolt 3/8" x 3/4" w/Lock washer | 4 | (73) | F942 | Bolt 5/16" x 3/4" NF w/ L.W. & F.W. | 1 |
| (30) | F954 | Bolt 3/8" x 1 1/4" w/ Lock washer | 4 | (74) | G771 | Chain Guard (5 hp) | 1 |
| (31) | G541 | Sprocket 54T (41A) | 1 | (75) | F111* | Bolt 5/16" x 3/4" NF | 2 |
| (32) | G547 | Drive chain #41-60 Pitches | 1 | (76) | G762 | Muffler Guard | 1 |
| (33) | G520* | Connector link #41 | 1 | (77) | F902 | Bolt 1/4" x 1/2" w/ LW | 1 |
| | | | | (78) | G778* | Guard Bracket | 1 |
| | | | | (79) | F808* | Bolt 3/16" x 1/2" w/ 10-24 Speed Nut | 2 |

* Not Shown on Drawing