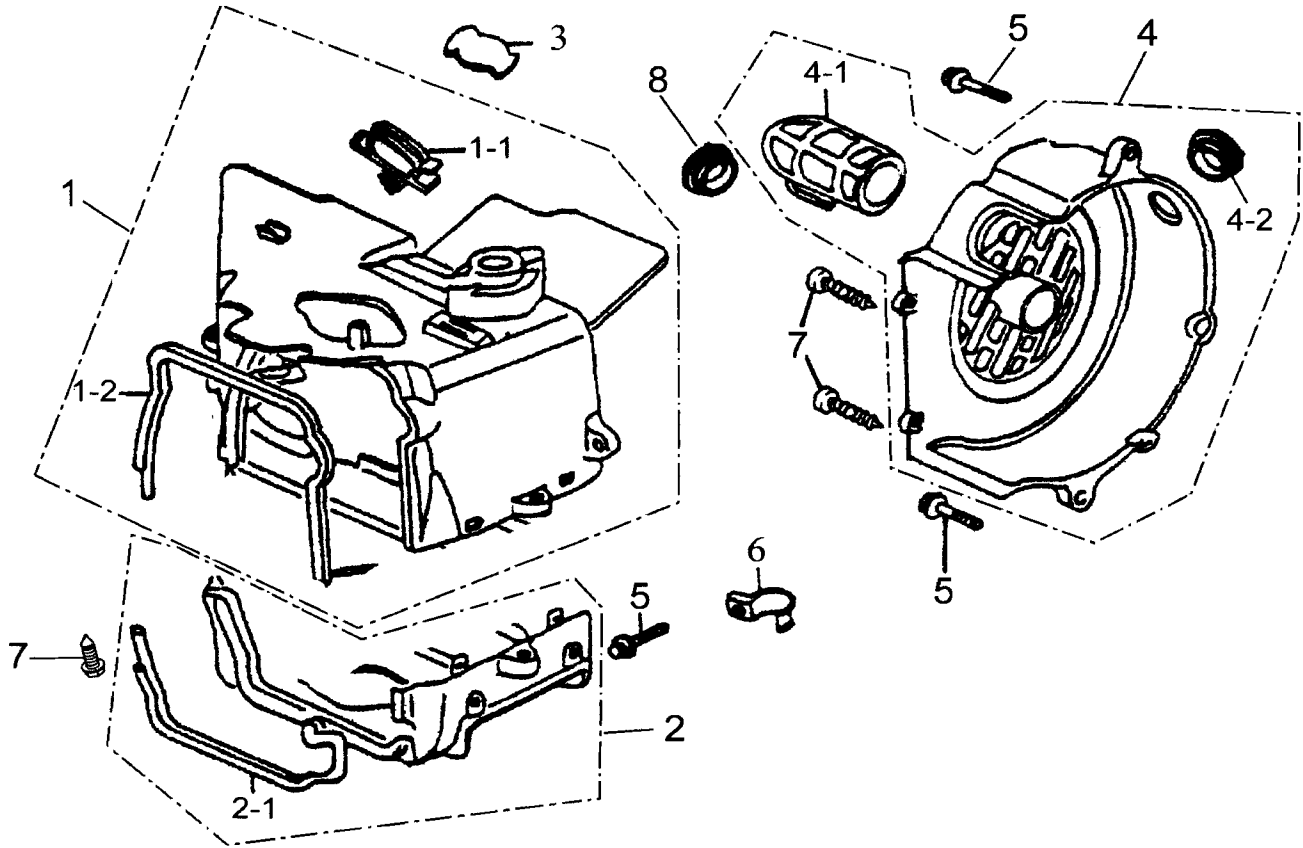
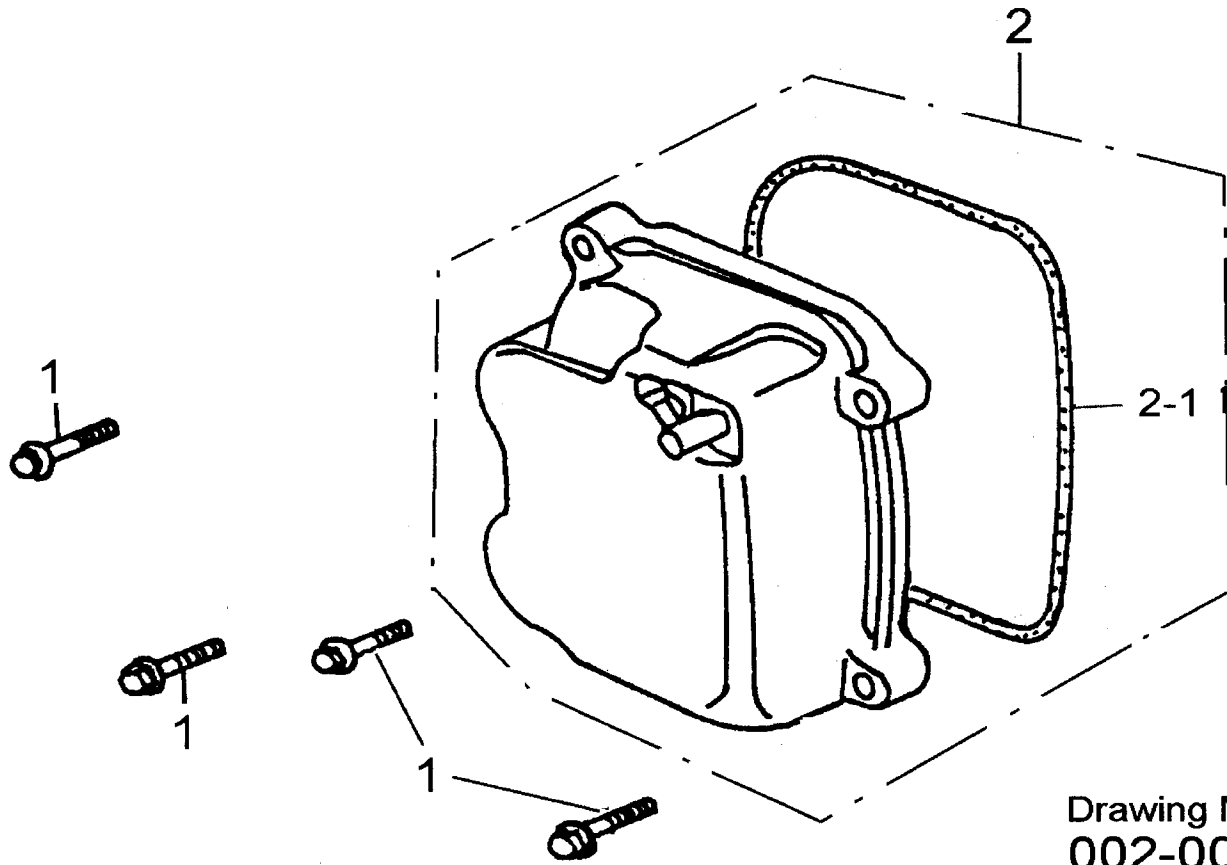


D-1 FAN COVER,SHROUD



P/N	DESCRIPTION	FFA PART #
1-1	SHROUD - UPPER	04779
1-1-1	BREATHER TUBE CLAMPER	04780
1-1-2	SHROUD SEAL UPPER	04781
1-2	SHROUD -LOWER	04782
1-2-1	SHROUD SEAL-LOWER	04783
1-3	RUBBER BUNG B	04784
1-4	FAN COVER ASS'Y	04785
1-4-1	CARBURETOR COOLING DUCT	04786
1-4-2	RUBBER BUNG	04787
1-5	HEX FLANGE BOLT M6'25	04788
1-6	CLAMPER CARB DRAIN TUBE	04789
1-7	CROSS TAPPING SCREW 5'16	04790
1-8	RUBBER CAP	04791

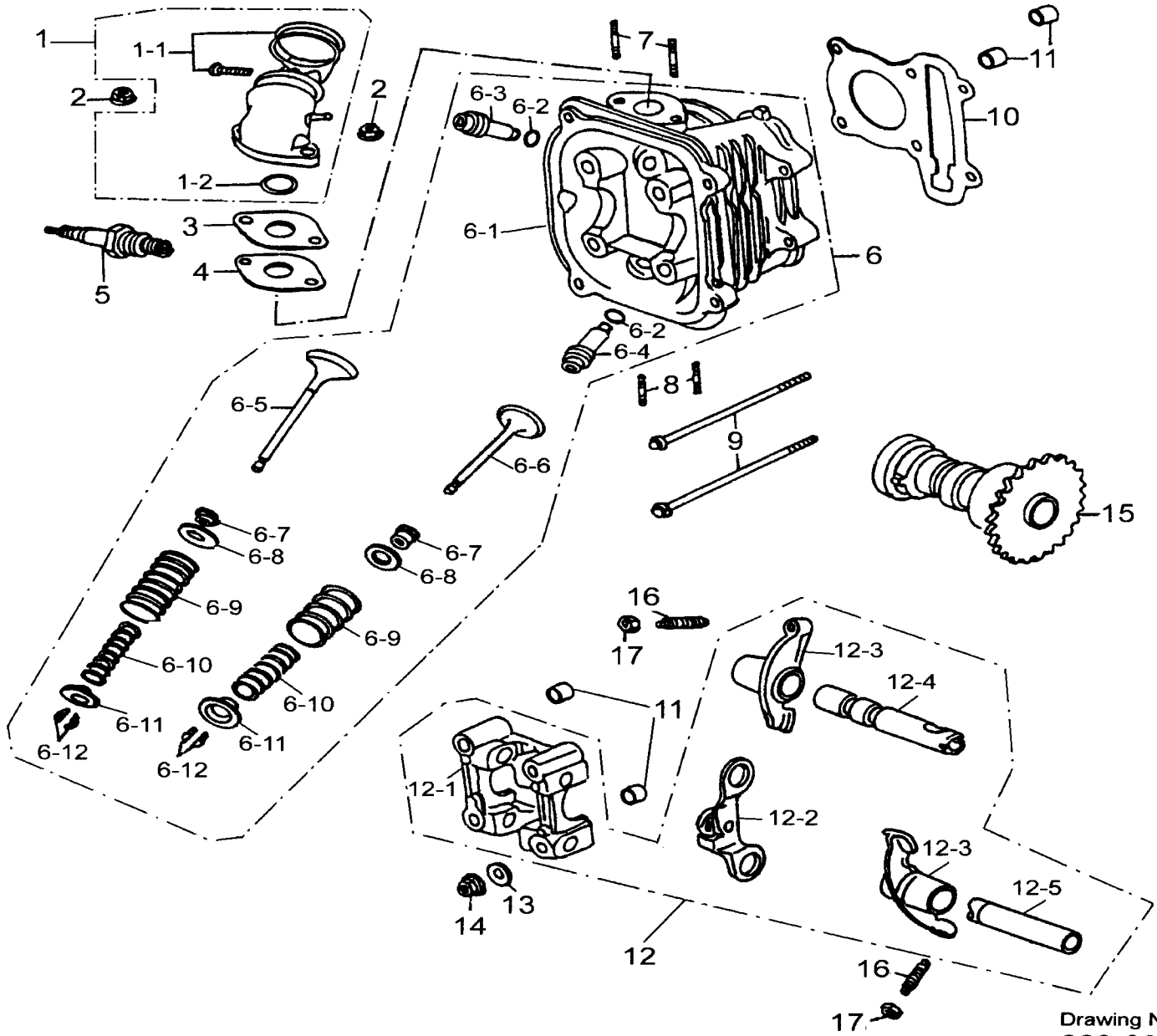
D-2 CYLINDER HEAD COVER



Drawing No:
002-001

P/N	DESCRIPTION	FFA PART #
2-1	HEX FLANGE BOLT M6*25	04788
2-2	CYLINDER HEAD COVER ASS'Y	04793
2-2-1	HEAD COVER GASKET	04794

D-3 CAMSHAFT VALVE CYLINDER HEAD

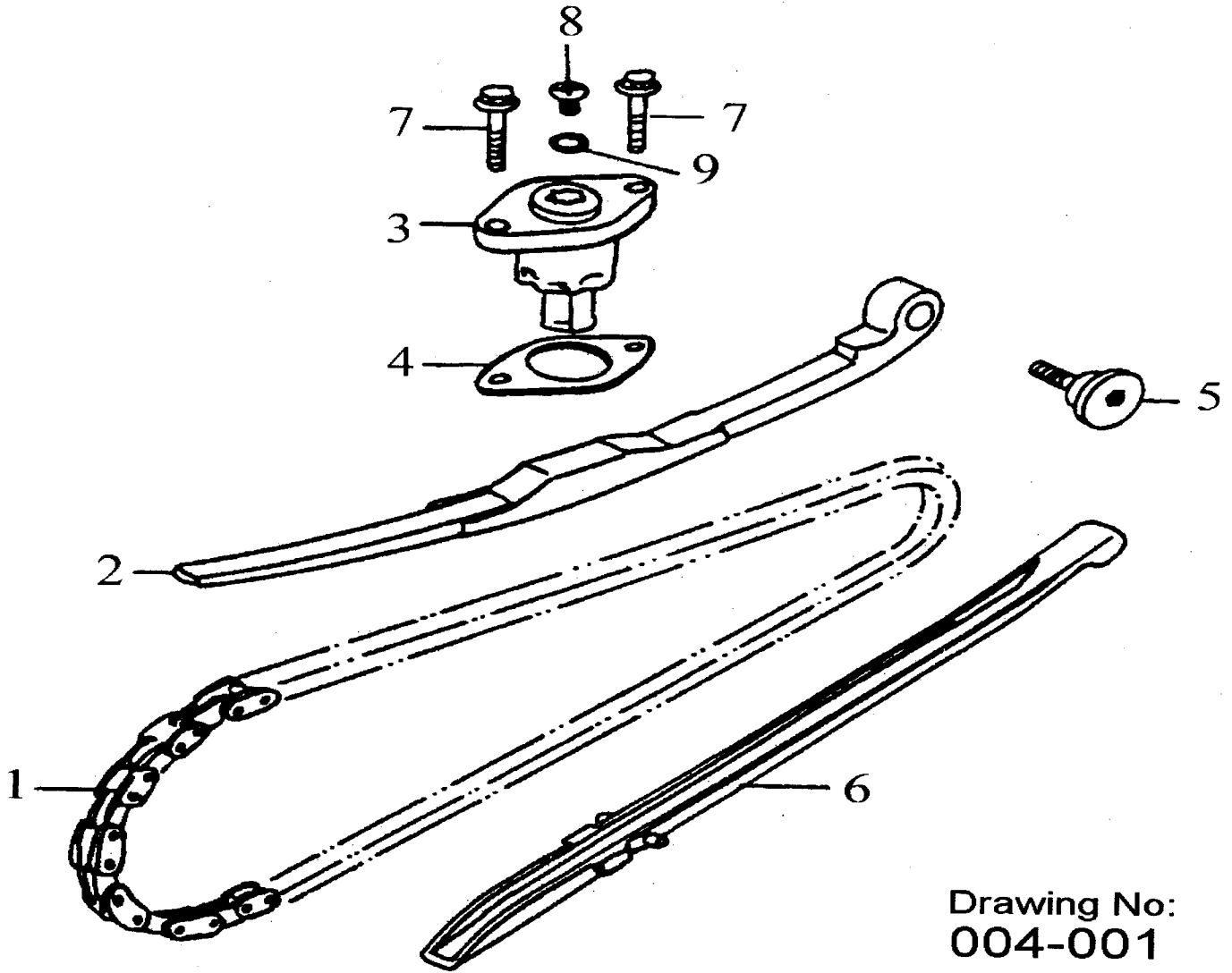


Drawing No:
003-003

P/N	DESCRIPTION	FFA PART #
3-1	INAKE MAINFOLD	04795
3-1-1	BAND INSULATOR	04796
3-1-2	OIL-RING 9.5*1.6	04797
3-2	HEX FLANGE NUT M6	04798
3-3	CARBURETOR INSULATOR	04799
3-4	CARBURETOR INSULATOR GASKET	04800

3-5	SPARK PLUG C7HSA	04801
3-6	CYLINDER HEAD ASS'Y	04802
3-6-1	CYLINDER HEAD	04803
3-6-2	OIL-RING 27'2	04804
3-6-3	IN.GUIDE VALVE	04805
3-6-4	EX.GUIDE VALVE	04806
3-6-5	EX. VALVE	04807
3-6-6	IN. VALVE	04808
3-6-7	VALVE STEM SEAL	04809
3-6-8	SEAT VALVE SPRING OUTER	04810
3-6-9	VALVE OUTER SPRING	04811
3-6-10	VALVE INNER SPRING	04812
3-6-11	VALVE SPRING RETAINER	04813
3-6-12	COTTER VALVE	04814
3-7	STUD BOLT M6'72	04815
3-8	STUD BOLT M8'32	04816
3-9	HEX FLANGE BOLT M6'100	04817
3-10	CYLINDER HEAD GASKET	04818
3-11	DOWEL PIN 10'14	04819
3-12	CAM SHAFT HOLDER ASS'Y	04820
3-12-1	CAMSHAFT HOLDER	04821
3-12-2	PLATE COMP STOPPER	04822
3-12-3	ARM VALVE ROCKER	04823
3-12-4	SHAFT COMP IN ROCKER ARM	04824
3-12-5	SHAFT EX ROCKER ARM	04825
3-13	COPPER PLAIN WASHER 8'18'2.3	04826
3-14	HEX FLANGE NUT M8	04827
3-15	CAMSHAFT COMP	04828
3-16	SCREW TAPPEL ADJUSTING	04829
3-17	TAPPET ADJUSTING	04830

D-4 CAM CHAIN,TENSIONER

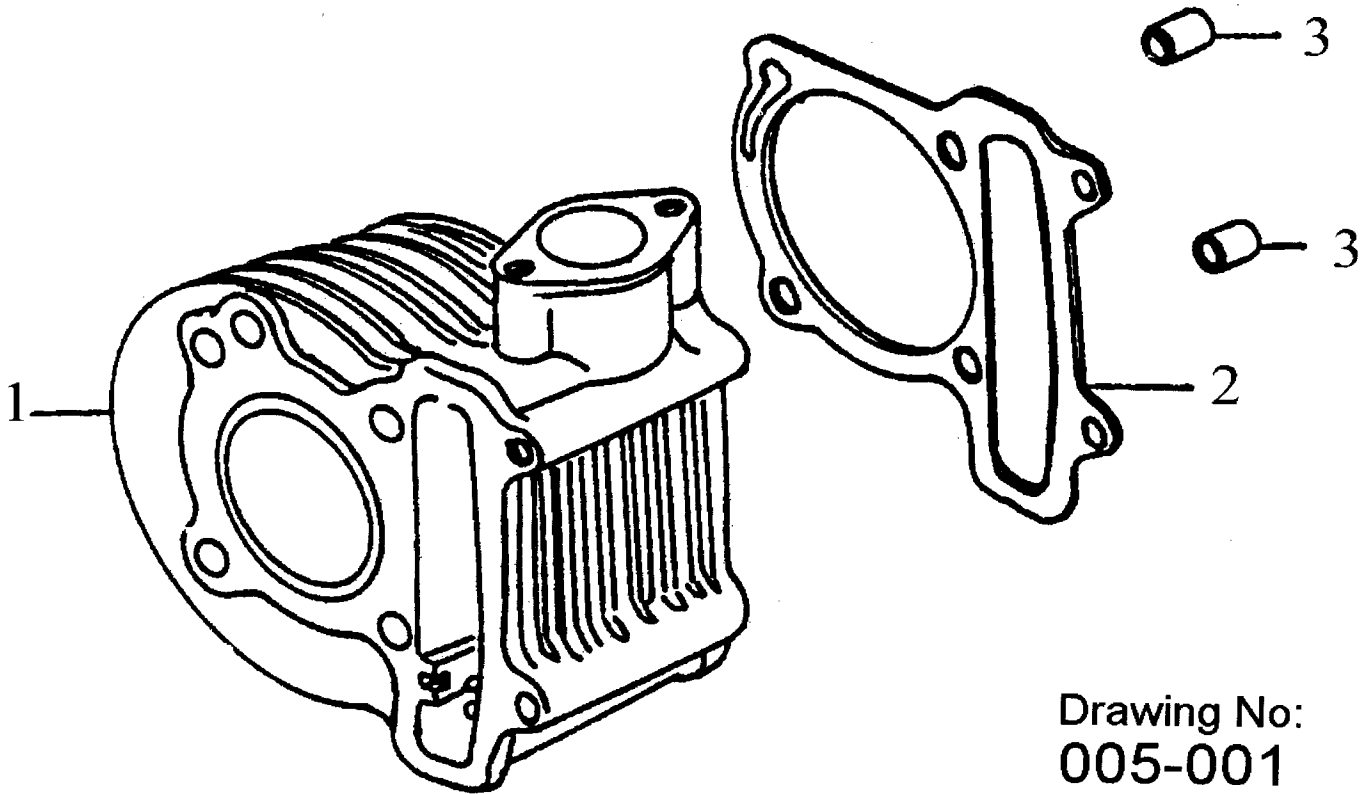


Drawing No:
004-001

P/N	DESCRIPTION	FFA PART #
4-1	CHAIN CAM	04831
4-2	TENSIONER CAM CHAIN	04832
4-3	LIFTER TENSIONER LIFTER	04833
4-4	GASKET TENSIONER LIFTER	04834
4-5	PIVOT CAM CHAIN TENSIONER M6'22	04835
4-6	GUIDE COMP CAM CHAIN	04836
4-7	HEX FLANGE BOLT M6'22	04837
4-8	SCREW,PAN M6'6	04838
4-9	OIL-RING 9.5'1.5	04804



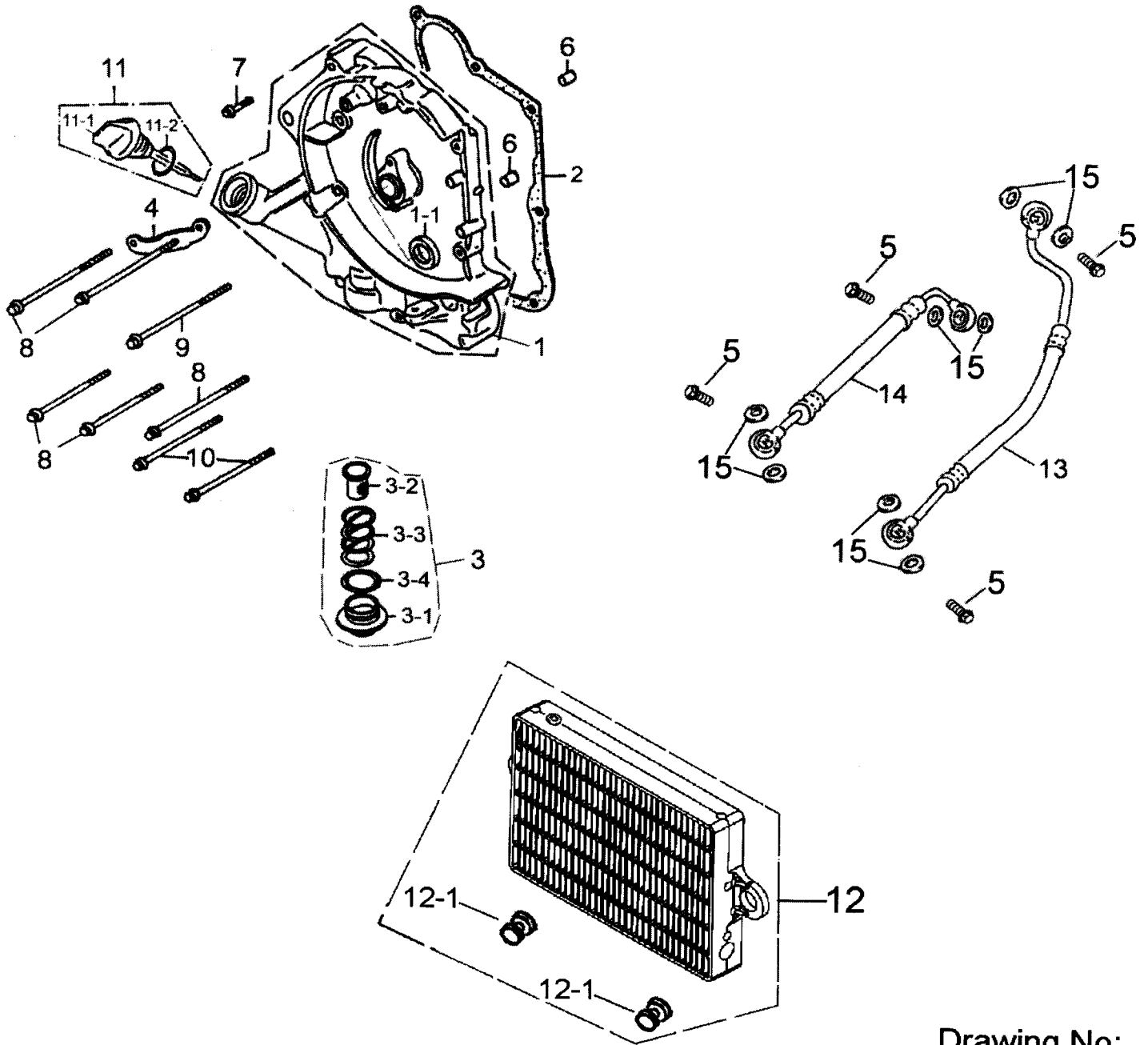
D-5 CYLINDER



Drawing No:
005-001

P/N	DESCRIPTION	FFA PART #
5-1	CYLINDER	04839
5-2	CYLINDER GASKET	04840
5-3	DOWEL PIN 10'14	04819

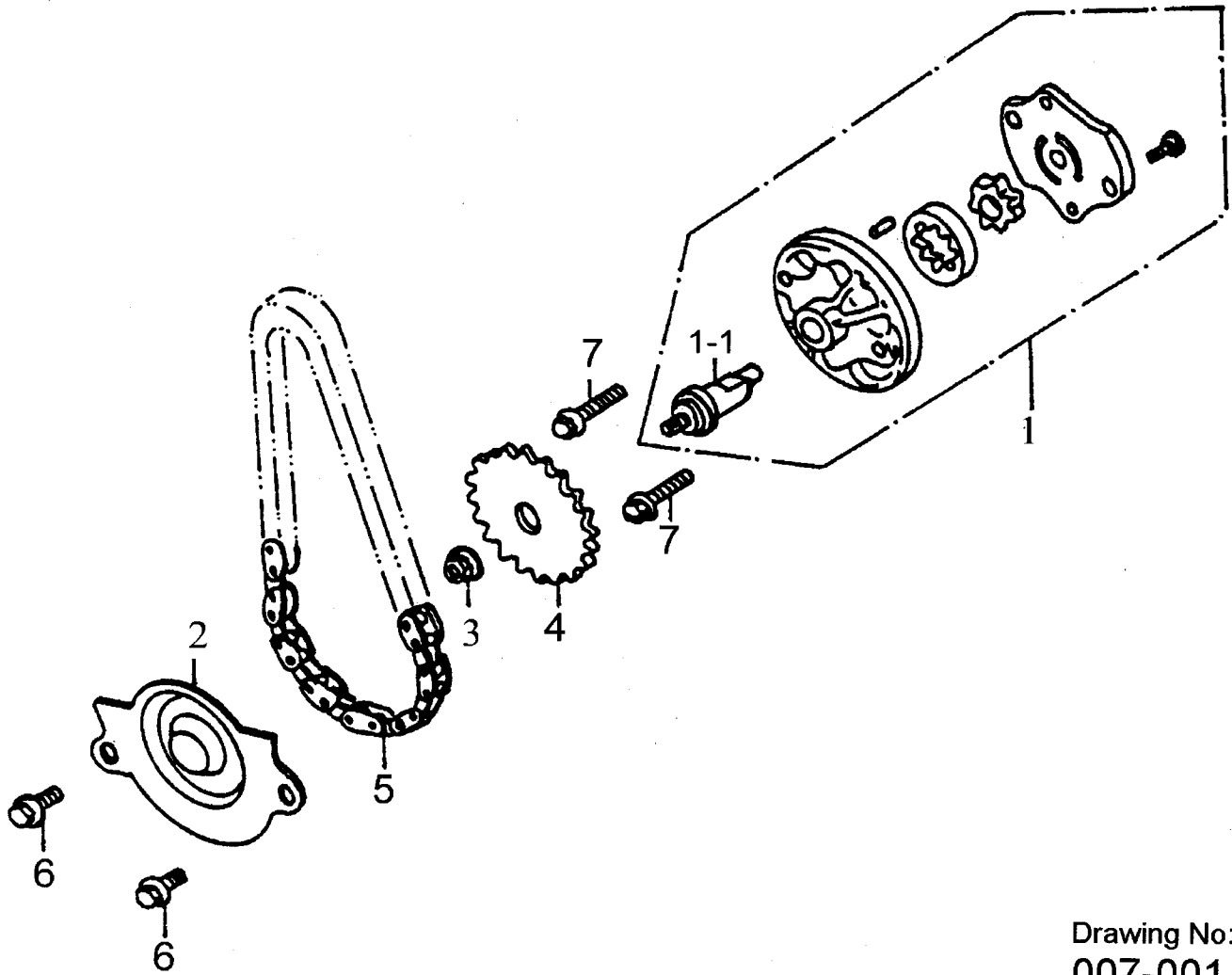
D-6 RIGHT CRANKCASE COVER



Drawing No:
006-006B

P/N	DESCRIPTION	FFA PART #
6-1	RIGHT CRANKCASE OVER	04842
6-1-1	OIL SEAL 19.8'30'5	04843
6-2	GASKET R. CRANKCASE COVER	04844

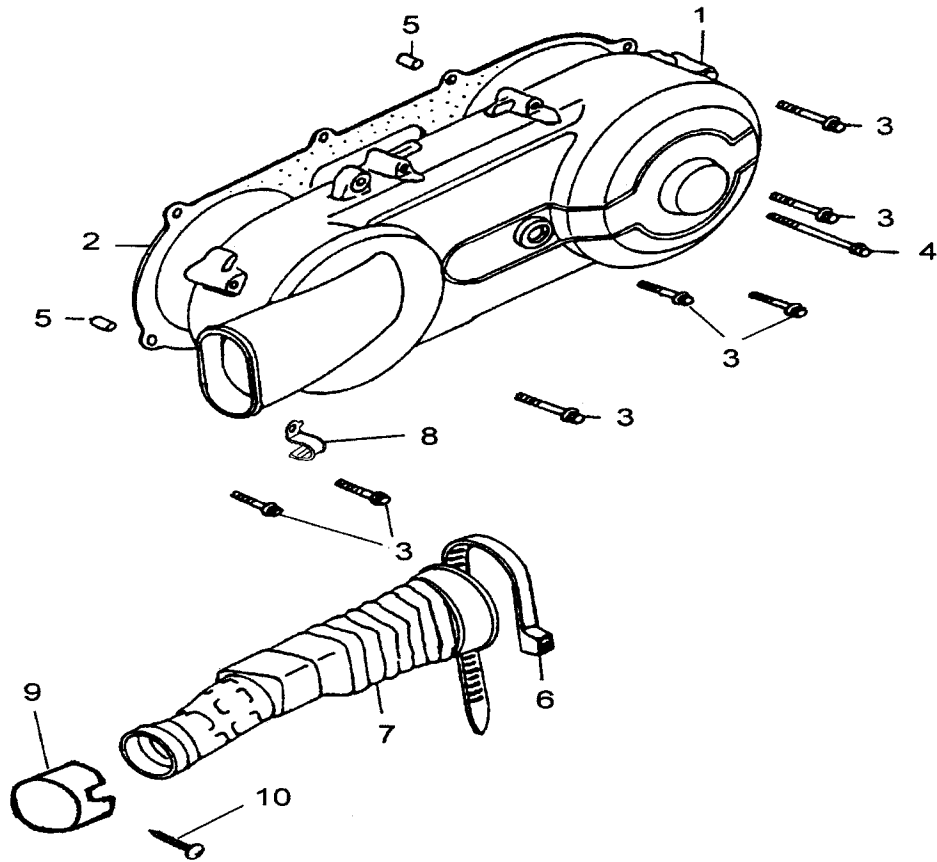
D-7 OIL PUMP



Drawing No:
007-001

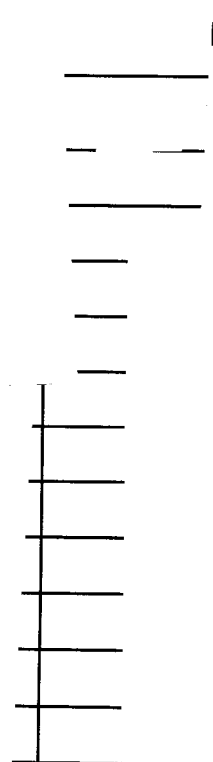
P/N	DESCRIPTION	FFA PART #
7-1	OIL PUMP	04865
7-1-1	OIL PUMP PROIMARY AXLE	04866
7-2	SEPARATOR A OIL	04867
7-3	HEX FLANGE NUT M6	04798
7-4	OIL PUMP DRIVE GEAR	04869
7-5	CHAIN OIL PUMP	04870
7-6	HEX FLANGE BOLT M6'12	04871
7-7	PAN SOCKET BOLT M6'25	04872

D-8 LEFT CRANKCASE COVER

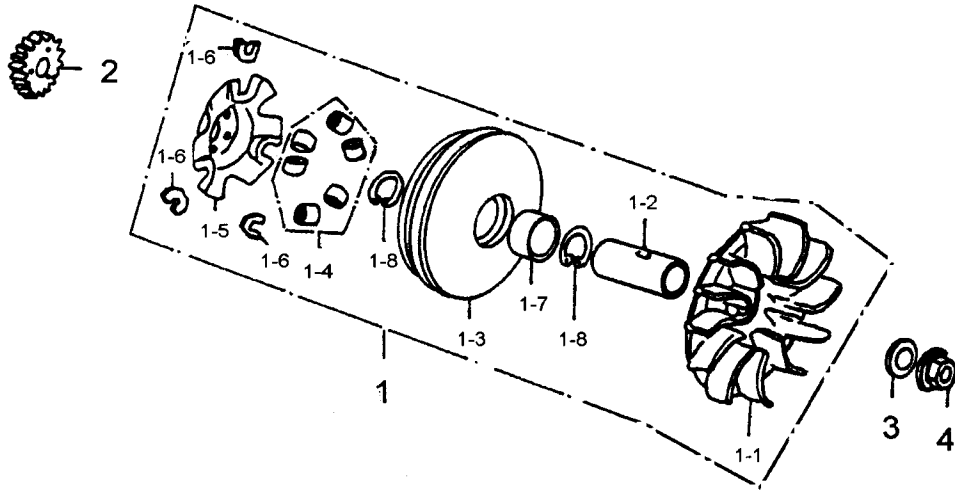


Drawing No:
008-003

P/N	DESCRIPTION	FFA PART #
8-1	COVER L	04873
8-2	GASKET L COVER	04874
8-3	HEX FLANGE BOLT M6'40	04853
8-4	HEX FLANGE BOLT M6'100	04817
8-5	DOWEL PIN 8'14	04852
8-6	STRAP D61	04875
8-7	DUCT L. CRANKCASE COVER L=182MM	04876
8-8	BREATHER HOSE CLIP	04877
8-9	DUST PROOF RUBBER	04878
8-10	TAPPING SCREW M4X16	04855



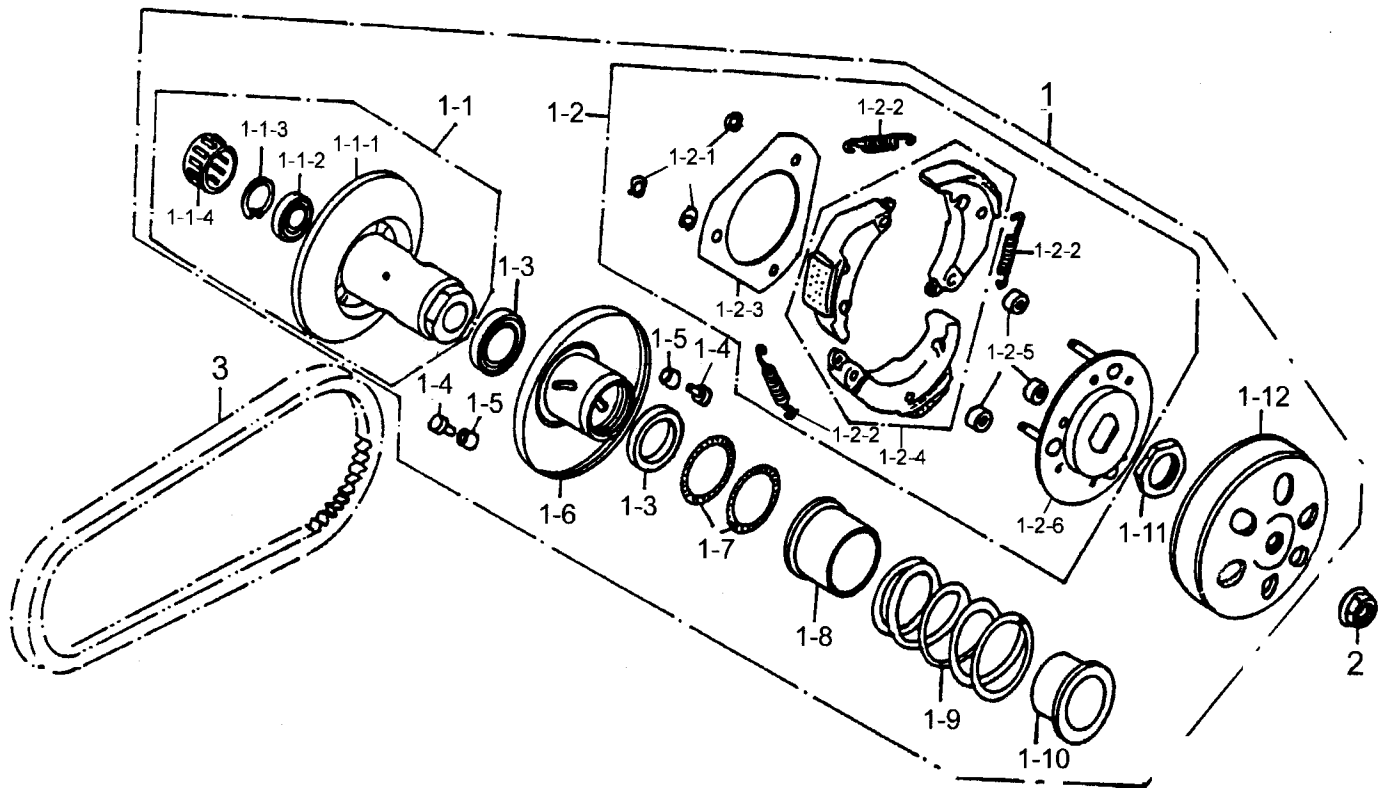
D-9 DRIVE FACE



Drawing No:
009-002

P/N	DESCRIPTION	FFA PART #
9-1	FACE ASS'Y MOVABLE DRIVE	04879
9-1-1	FACE DRIVE	04880
9-1-2	BOSS DRIVE FACE 17X24X51.5	04881
9-1-3	PRIMARY SLIDING SLOT WHEEL	04882
9-1-4	ROLLER COMP WEIGHT 13g	04883
9-1-5	PLATE RAMP	04884
9-1-6	SIDE PIECE	04885
9-1-7	BUSH 24'28'30	04886
9-1-8	INTERNAL CIR CLIP RTW-28	04887
9-2	GEAR KICK DRIVE 20T	04888
9-3	PLAIN WASHER 12'25'2.3	04889
9-4	HEX FLANGE NUT M12	04890

D-10 DRIVEN FACE

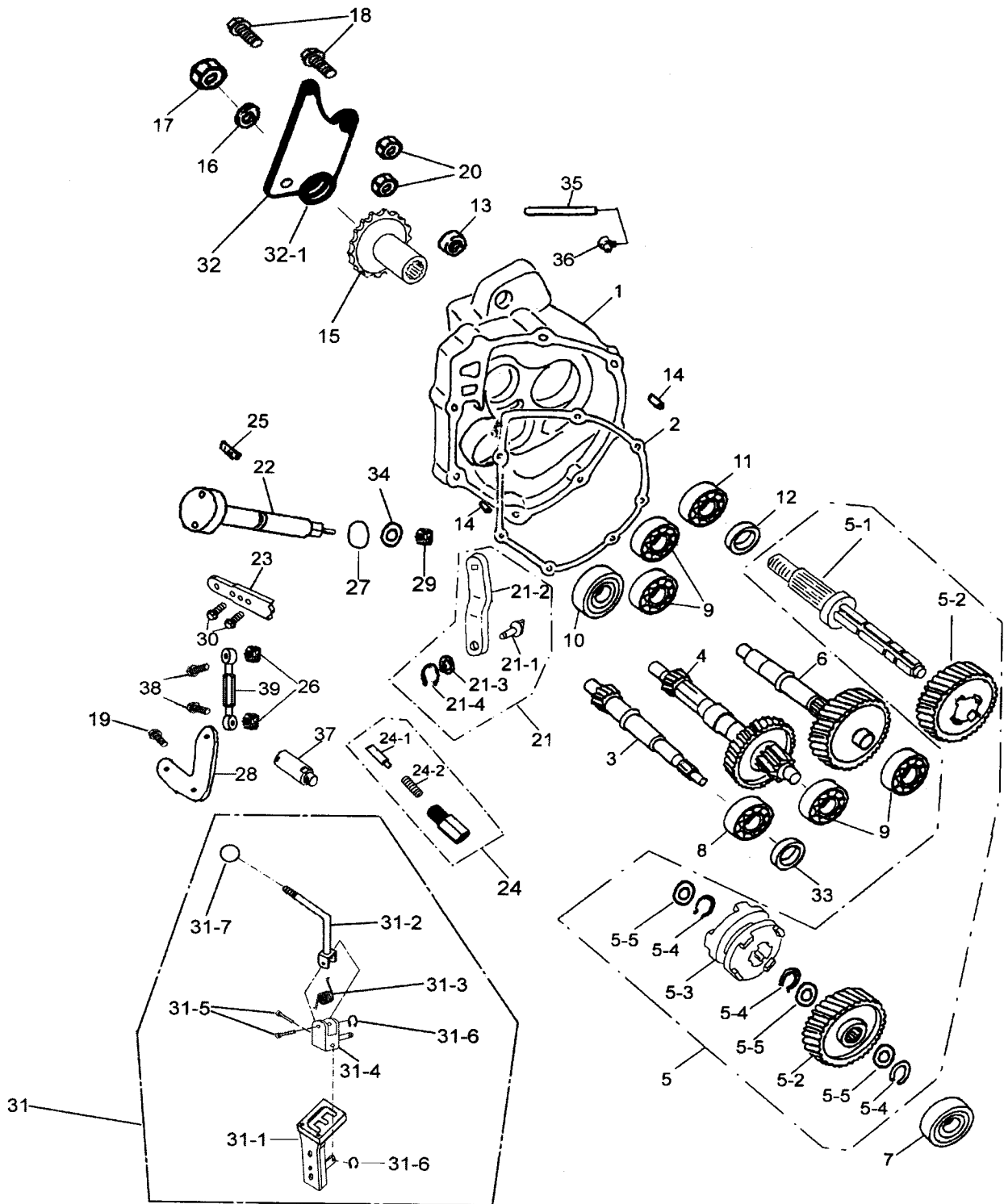


P/N	DESCRIPTION	FFA PART #
10-1	DRIVE FACE ASS'Y(B)	04891
10-1-1	SECONDARY FIX SLOT WHEEL	04892
10-1-1-1	FACE ASS'Y DRIVEN	04893
10-1-1-2	RADIAL BALL BEARING 6902U	04894
10-1-1-3	INTERNAL CIR CLIP IRTW-285	04895
10-1-1-4	NEEDLE BEARING 20'29'18	04896
10-1-2	PLATE ASS'Y DRIVE	04897
10-1-2-1	EXTERNAL CIR CLIP ETW-7	04898
10-1-2-2	SPRING CLUTCH	04899
10-1-2-3	PLATE CLUTCH SIDE	04900
10-1-2-4	CLUTCH WEIGHT SET	04901
10-1-2-5	RUBBER CLUTCH DAMPER	04902
10-1-2-6	PLATE COMP DRIVE	04903
10-1-3	OIL SEAL 34'41'4	04904

10-1-4	GUIDE PIN	04905
10-1-5	GUIDE PIN	04906
10-1-6	SECONDARY SLIDING SLOT WHEEL	04907
10-1-7	OIL RING 36'2	04908
10-1-8	SECONDARY SPRING SEAT	04909
10-1-9	COMPRESSION SPRING	04910
10-1-10	COLLER SPRING	04911
10-1-11	NUT , SPECIAL M28	04912
10-1-12	CLUTCH COVER COMP	04913
10-2	HEX FLANGE NUT M12	04890
10-3	BELT DRIVE 743'20'30	04915

--	--	--	--	--	--

D-11 TRANSMISSION



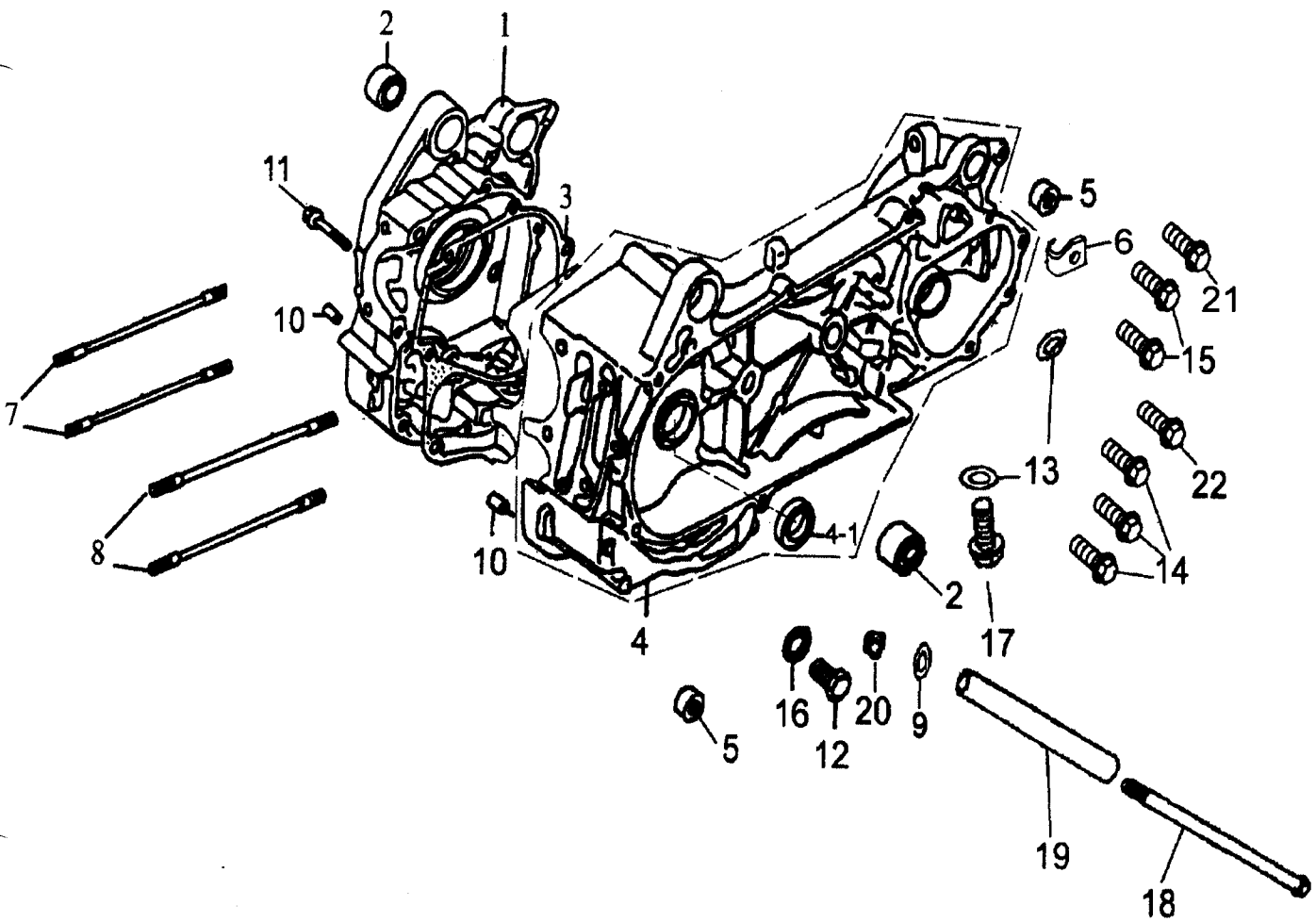
Drawing No:
011-003D

P/N	DESCRIPTION	FFA PART #
11-1	MISSION COVER	04915
11-2	MISSION COVER GASKET	04916
11-3	SHAFT , DRIVE	04917
11-4	MAIN AXLE COMP	04918
11-5	SHAFT , FINAL ASS'Y	04919
11-5-1	SHAFT , FINAL	04920
11-5-2	GEAR , TRANMISSION	04921
11-5-3	CLUTCH	04922
11-5-4	C - CIRCLIP	04923
11-5-5	SPECIAL WASHER	04924
11-6	COUNTER SHAFT ASS'Y	04925
11-7	BEARING CS05 6203	04926
11-8	BEARING C3 6204	04927
11-9	BEARING CS05 6202	04928
11-10	BEARING TMB301	04929
11-11	BEARING 6004LU	04930
11-12	OIL SEAL	04931
11-13	RUBBER BUSH 8X22X23	04932
11-14	DOWEL PIN 8X14	04933
11-15	DRIVE SPROCKET 520-12T	04934
11-16	PLAIN WASHER 16X29X3	04935
11-17	NYLON INSERT LOCK NUT M16	04936
11-18	HEX WASHER FACE BOLT M10X25	04937
11-19	HEX FLANGE BOLT M6X18	04938
11-20	NYLON INSERT LOCK NUT M10	04939
11-21	TRANSMISSION FORK ASS,Y	04940
11-21-1	TRANSMISSION FORK	04941
11-21-2	TRANSMISSION SHAFT	04942
11-21-3	SPECLAL WASHER	04943
11-21-4	C - CINCLIP	04944
11-22	TRANSMISSION LINK	04945



20

D-12 CRANKCASE

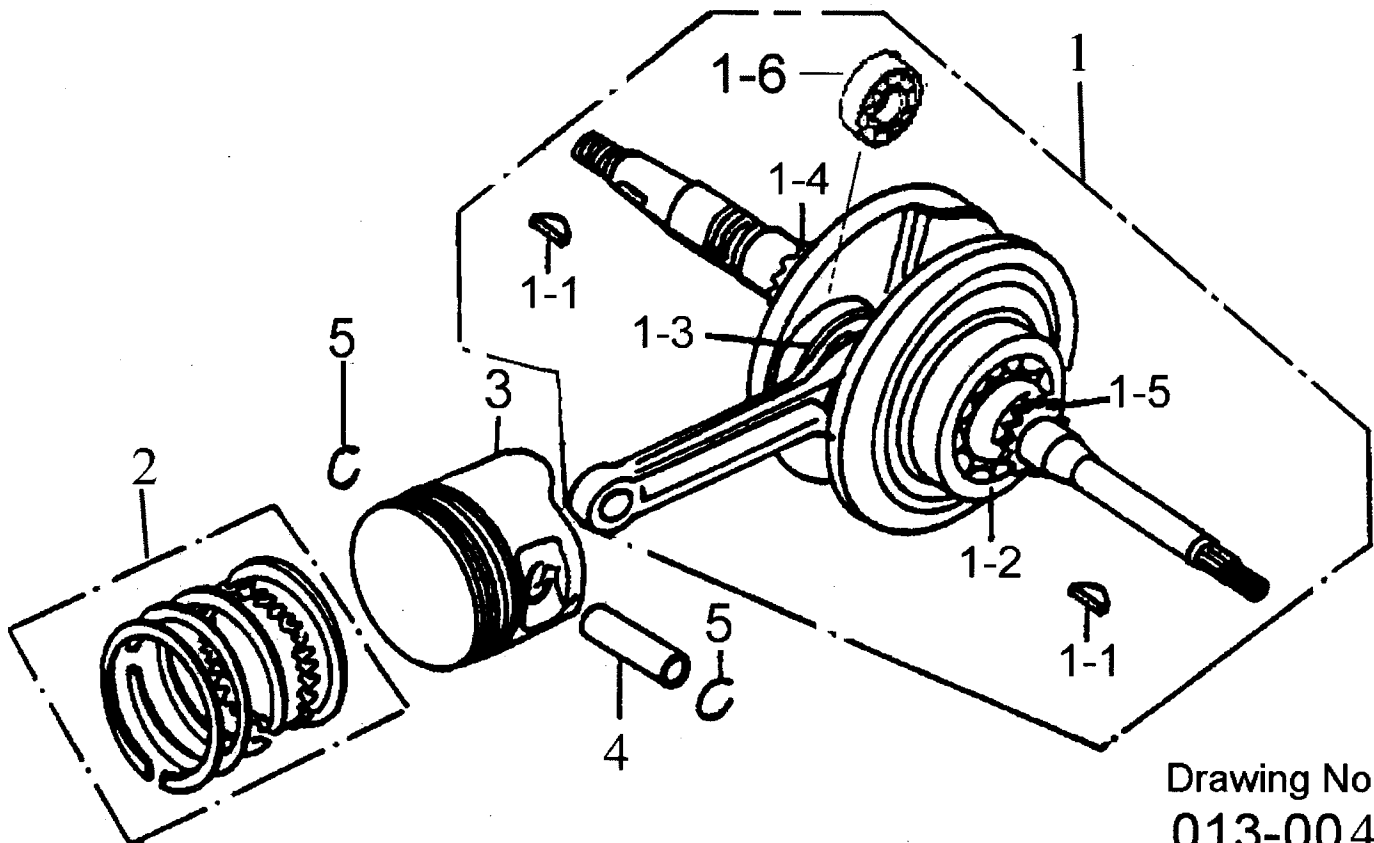


Drawing No:
012-006B

P/N	DESCRIPTION	FFA PART #
12-1	RIGHT CRANKCASE	04973
12-2	BUSH ENGINE HANGER RUBBER 10'28'22	04974
12-3	GASKET CRANKCASE	04975
12-4	LEFT CRANKCASE	04976
12-4-1	OIL SEAL 19.8'30X5	04977
12-5	RUBBER BUSHING 8'22'23	04978
12-6	TUBE BRACKET	04979
12-7	STUD BOLT M8'181	04980
12-8	STUD BOLT M8'187	04981
12-9	PLAIN WASHER 10'22'2	04982
12-10	DOWEL PIN 8'4	04852

12-11	HEX FLANGE BOLT M6'50	04984
12-12	HEX FLANGE BOLT M12'15	04985
12-13	PLAIN WASHER (ALUMINUM) 8X16X2	04986
12-14	HEX FLANGE BOLT M6X60	04987
12-15	HEX FLANGE BOLT M6X70	04988
12-16	PLAIN WASHER 12'21.3'2	04864
12-17	HEX FLANGE BOLT M8X12	04990
12-18	HEX FLANGE BOLT M10X197	04991
12-19	ENGINE SPACER COLLAR 10'17'124	04992
12-20	NYLON INSERT LOCK NUT M10	04939
12-21	HEX FLANGE BOLT M6'70	04988
12-22	HEX FLANGE BOLT M6X45	04995

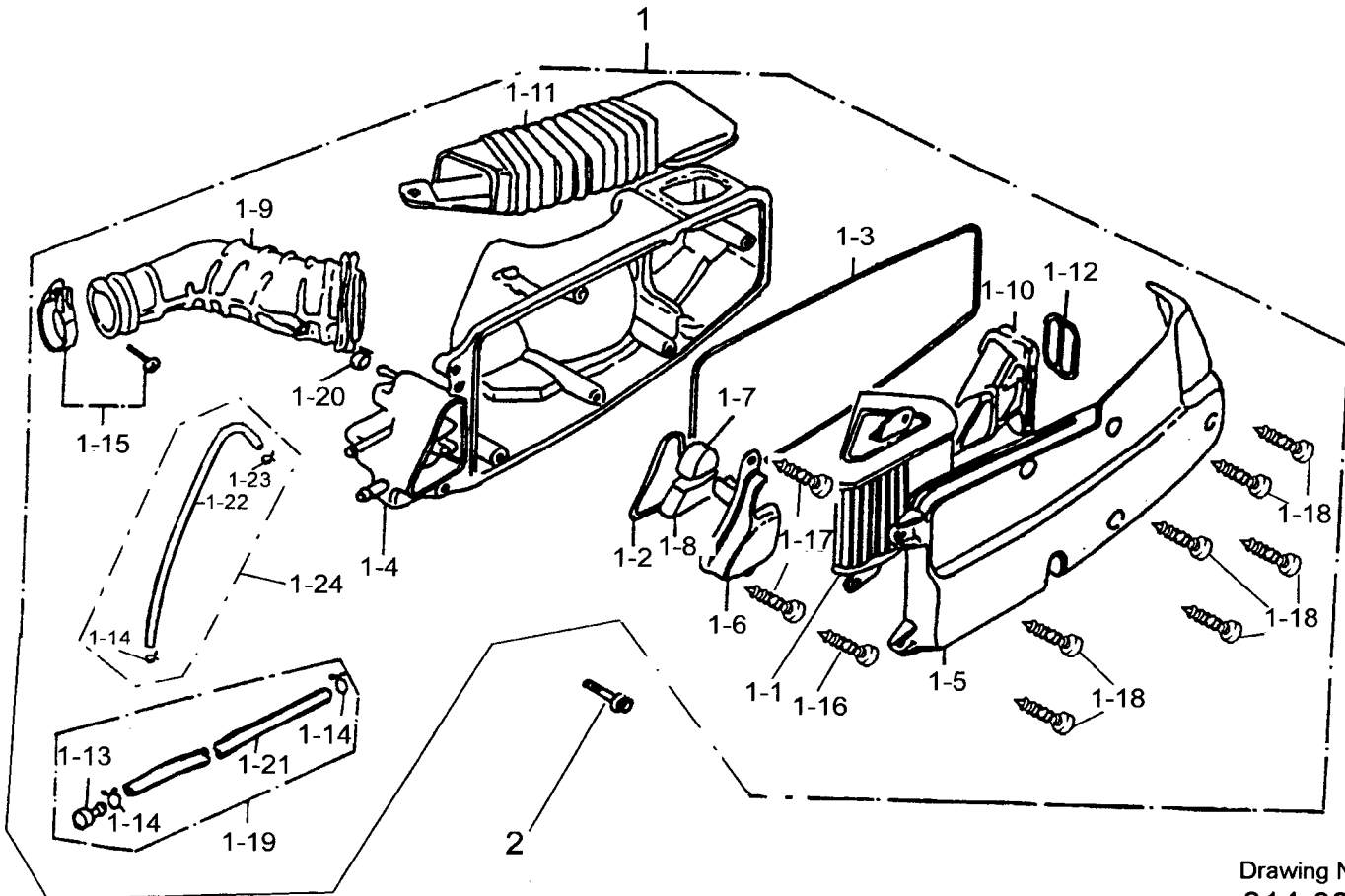
D-13 CRANK SHAFT,PISTON



Drawing No:
013-004

P/N	DESCRIPTION	FFA PART #
13-1	CRANKSHAFT ASS'Y	04996
13-1-1	SEMICYCLE KEY 25'4'14	04997
13-1-2	BEARING	04998
13-1-3	NEEDLE BEARING	04999
13-1-4	CAM TRANSMISSION GEAR	05000
13-1-5	TIMING GEAR 17T	05001
13-1-6	BEARING	05002
13-2	PISTON RING SET	05003
13-3	PISTON	05004
13-4	PISTON PIN 10X15X42	05005
13-5	CLIP PISTON PIN	05006

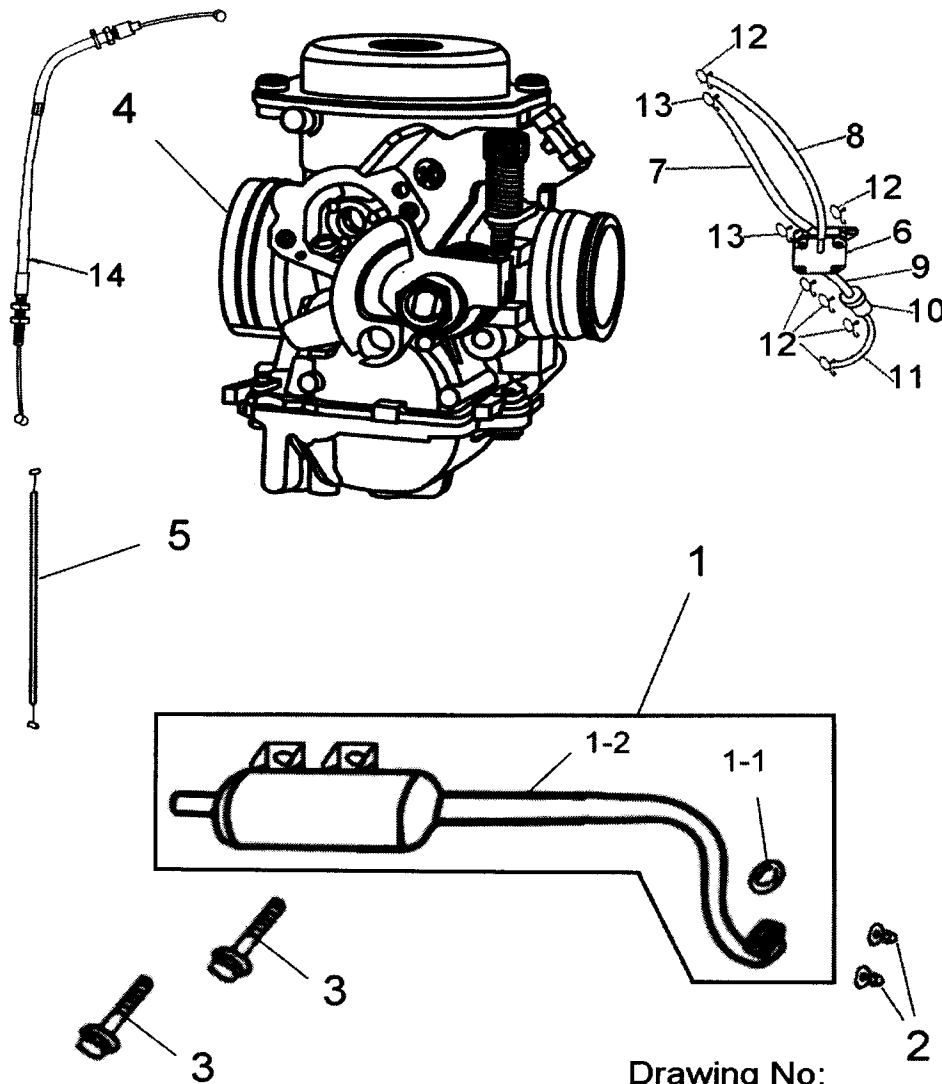
D-14 AIR CLEANER



Drawing No:
014-003

P/N	DESCRIPTION	FFA PART #
14-1	AIR CLEANER ASS'Y	05007
14-1-1	AIR CLEANER ELEMENT	05008
14-1-2	SEAL OIL CATCH	05009
14-1-3	SEAL OIL CLEANER COVER	05010
14-1-4	AIR CLEANER CASE	05011
14-1-5	CLEANER CASE CAP	05012
14-1-6	COVER OIL CATCH	05013
14-1-7	FILTER BREATHER	05014
14-1-8	FILTER OIL CATCH	05015
14-1-9	AIR CLEANER JOINT	05016
14-1-10	DUCT AIR CLEANER IN	05017
14-1-11	DUCT AIR CLEANER CASE	05018
14-1-12	SPRING IN DUCT	05019
14-1-13	PLUG BREATHER TUBE	05020
14-1-14	CLIP 12MM	05021
14-1-15	INTAKE MANIFOLD HOSE CLAMP	05022
14-1-16	PAN PHILLIPS BOLT M5'10	05023
14-1-17	TAPPING SCREW TRUSS HEAD PHILLIPS 4'12	05024
14-1-18	TAPPING SCREW TRUSS HEAD PHILLIPS 5'20	05025
14-1-19	TUBE ASS'Y DRAIN	05026
14-1-20	CLAMP TUBE	05027
14-1-21	TUBE VINYL 8'12'240	05028
14-1-22	BREATHER TUBE 6'8.5	05029
14-1-23	CLIP 8'.8	05030
14-1-24	BREATHER TUBE ASS'Y	05031
14-2	HEX FLANGE BOLT M6'32	05032

D-15 EXHANST MUFFLER,CARBURETOR,FUEL PUMP

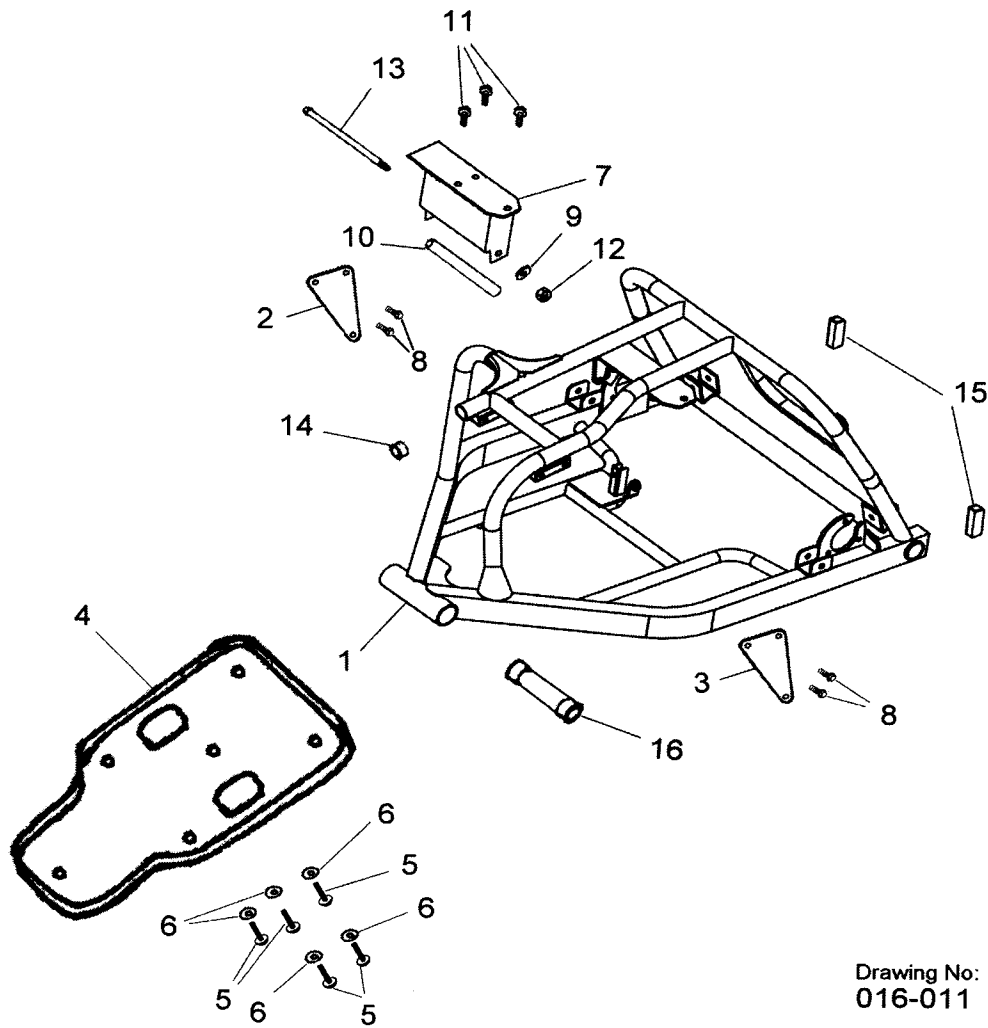


Drawing No:
015-013A

P/N	DESCRIPTION	FFA PART #
15-1	EXHAUST PIPE ASS'Y	05033
15-1-1	EXHAUST PIPE GASKET 25.4'33'4	05034
15-1-2	EXHAUST PIPE	05035
15-2	NUT CAP M8	05036
15-3	HEX FLANGE BOLT M8X30	05037
15-4	CARBURETOR ASS'Y	05038
15-5	CHOKE WIRE	05039
15-6	FUEL PUMP COMP	05040

15-7	SIDE OIL TUBE 4'8 (L=510)	05041
15-8	FUEL TUBE B 5'9 (L=485)	05042
15-9	FUEL TUBE C 5'9 (L=52)	05043
15-10	FUEL FILTER ASSY	05044
15-11	FUEL TUBE D 5'9(L=146)	05045
15-12	CLIP 8'8	05030
15-13	CLIP 6'8	05047
15-14	THROTTLE CABLE	05048

D-16 FRAME BODY

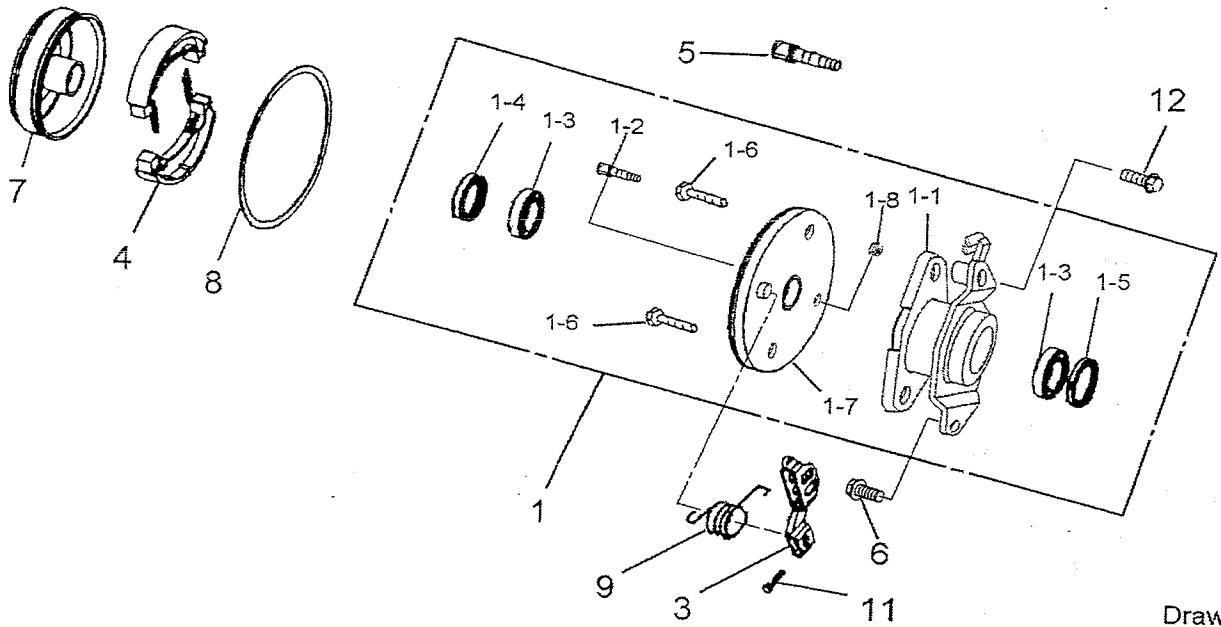
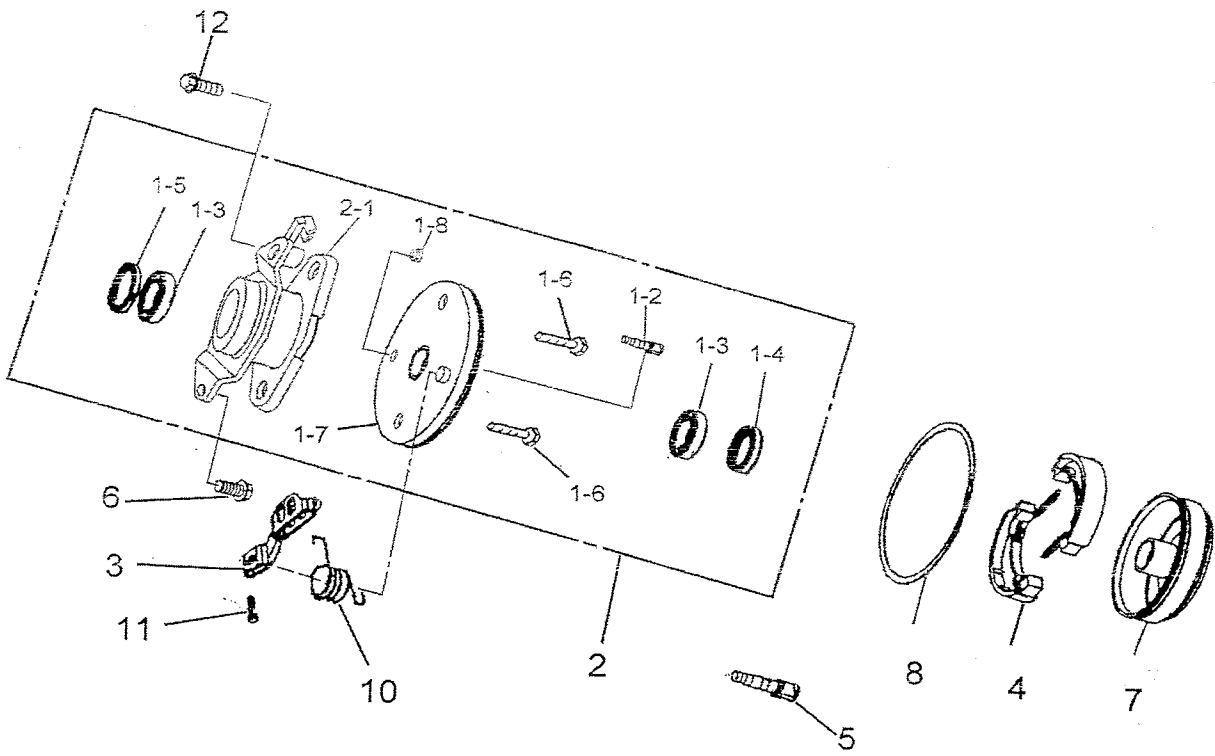


Drawing No:
016-011

P/N	DESCRIPTION	FFA PART #
16-1	FRAME COMP	05049
16-2	RIGHT ENGINE BRACKET PLATE	05050

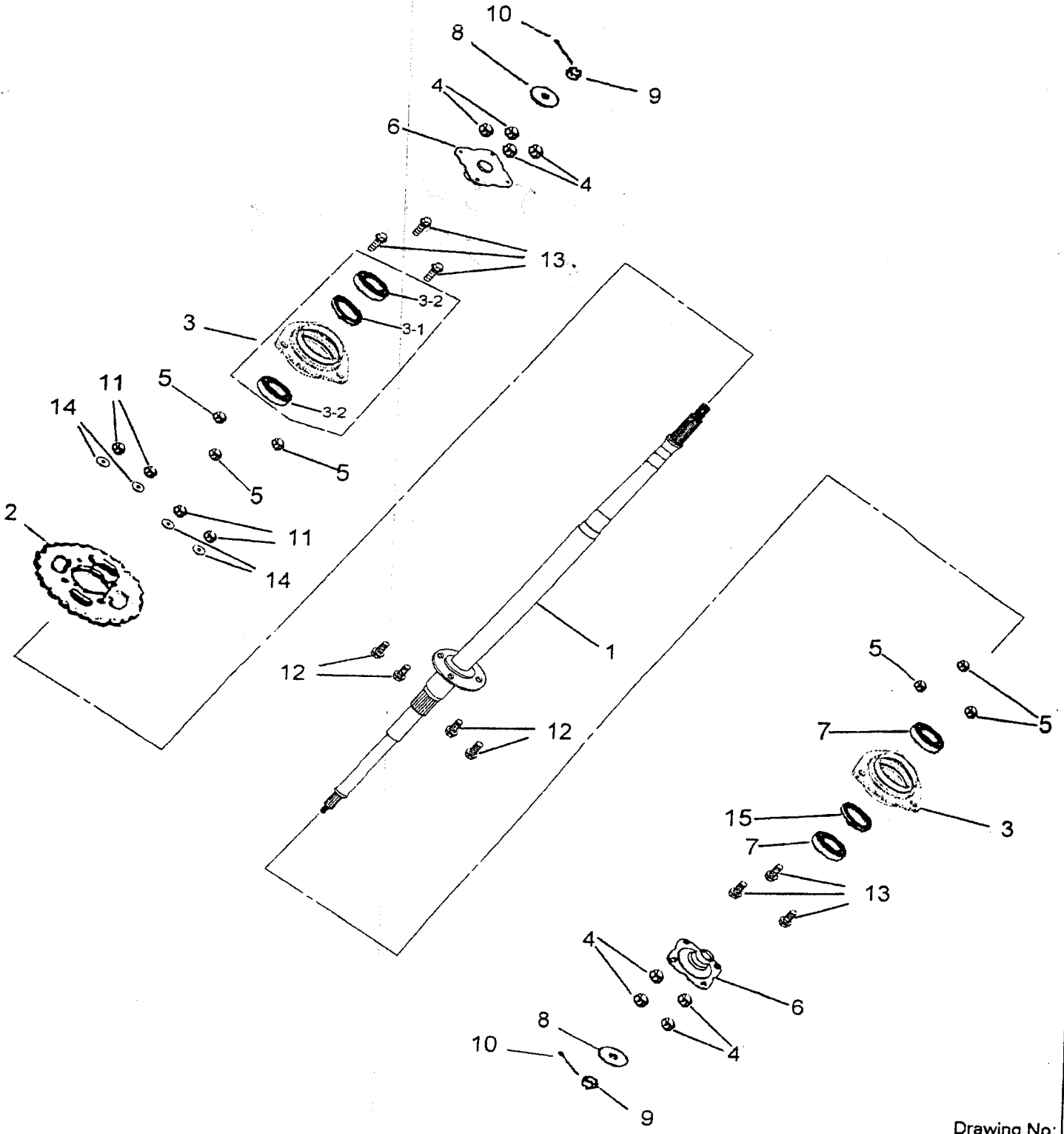
16-3	LEFT ENGINE BRACKET PLATE	05051
16-4	PROTECTION FRAME BOTTOM BOARD	05052
16-5	PAN PHILLIPS BOLT M6X10	05053
16-6	SPRING WASHER f7.5	05054
16-7	REAR ENGINE BRACKET PLATE	05055
16-8	HEX WASHER FACE BOLT M8X16	05056
16-9	PLAIN WASHER 8X16X1.5	04967
16-10	SPACER TUBE 621	05058
16-11	HEX WASHER FACE BOLT M10X20	05059
16-12	NYLON INSERT LOCK NUT	05060
16-13	HEX WASHER FACE BOLT M8X130	05061
16-14	RUBBER CAP	04791
16-15	RUBBER CAP	05063

D-17 REAR BRAKE SYSTEM



Drawing No:
026-012A

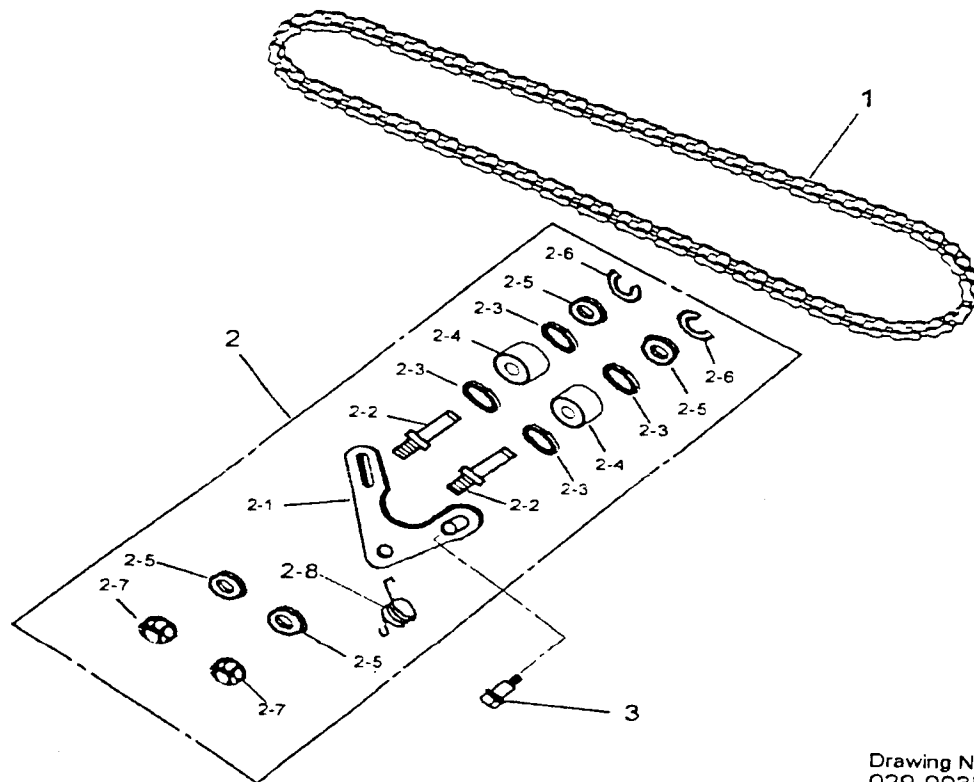
D-18 REAR WHEEL AXLE



Drawing No:
028-004D

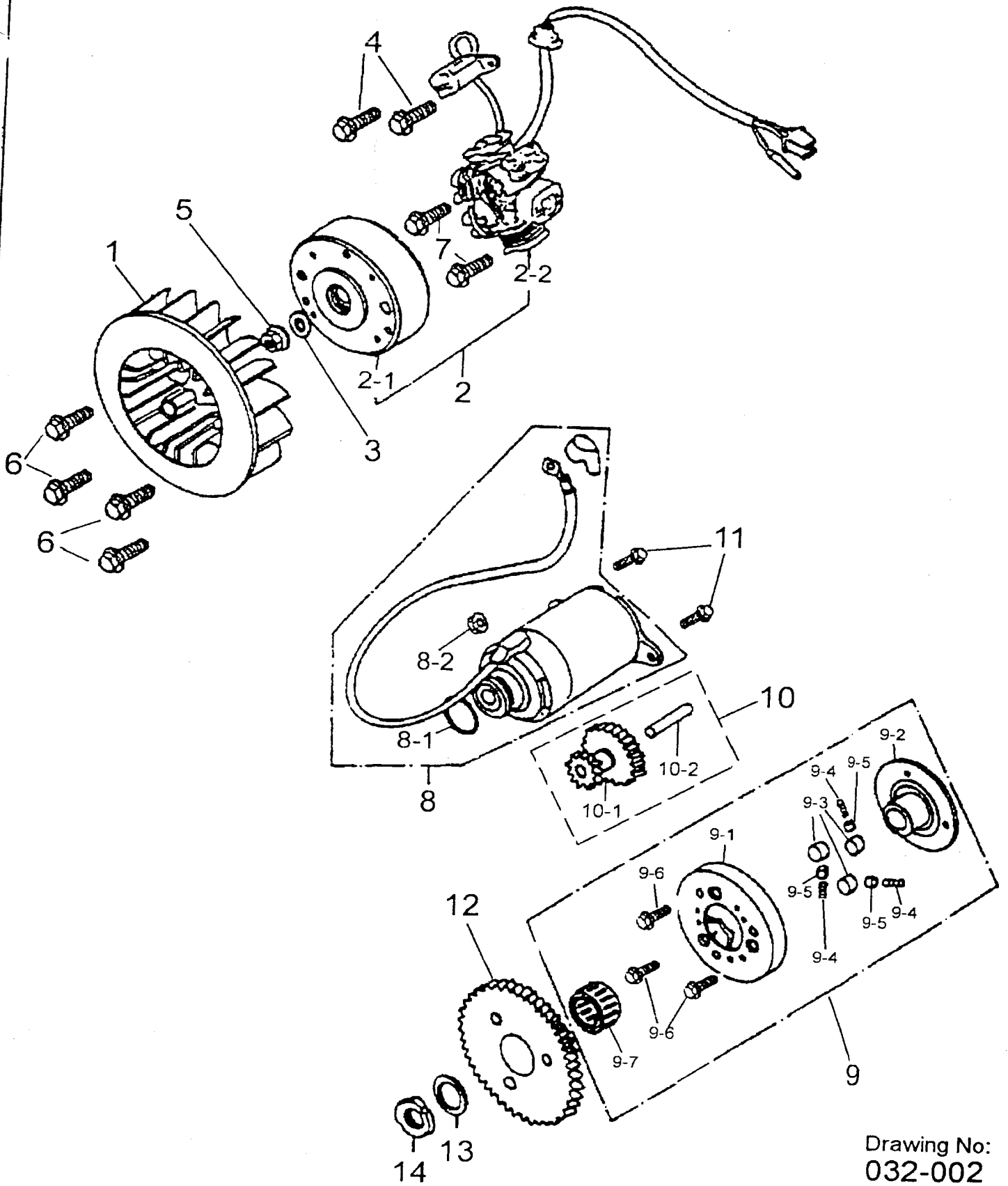
P/N	DESCRIPTION	FFA PART #
18-1	REAR AXLE	05085
18-2	FINAL DRIVE SPROCKET 520-43T	05086
18-3	BEARING SET <i>key</i>	05087
18-4	REAR WHEEL LUG NUT 1/2-20 UNF	05088
18-5	NYLON INSERT LOCK NUT M8	05072
18-6	SHAFT CONNECTER	05090
18-7	OIL SEAL 30X47X8	05091
18-8	PLAIN WASHER 16X40X5	05092
18-9	INSERT LOCK NUT M16	05093
18-10	COTTER PIN 3.2X320	05094
18-11	NYLON INSERT LOCK NUT M10	04939
18-12	HEX FLANGE BOLT M10X25	05096
18-13	HEX FLANGE BOLT M8X22	05097
18-14	PLAIN WASHER 10X22X2	04993
18-15	RADIAL BALL BEARING 6006	05099

D-19 CHAIN



Drawing No:
029-003B

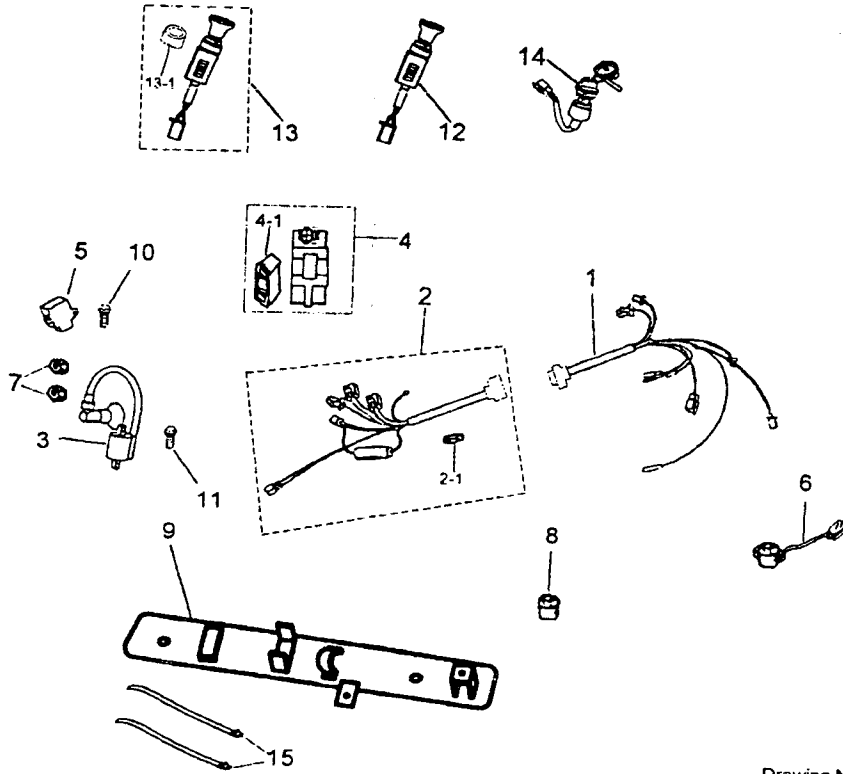
D-20 GENERATOR, START MOTOR



Drawing No:
032-002

P/N	DESCRIPTION	FFA PART #
20-1	FAN	05110
20-2	GENERATOR ASS'Y	05111
20-2-1	GENERATOR FACE FLY WHEEL	05112
20-2-2	STATOR COMP	05113
20-3	PLAIN WASHER 12X25X2.3	04889
20-4	HEX BOLT M5X12	05115
20-5	HEX FLANGE NUT M12	04890
20-6	HEX FLANGE BOLT M6X18	05117
20-7	HEX FLANGE BOLT M6X20	05118
20-8	STARTING MOTOR ASS'Y	05119
20-8-1	OIL RING	05120
20-8-2	HEX FLANGE NUT	05121
20-9	STARTING CLUTCH ASS'Y	05122
20-9-1	CLUTCH COVER COMP	05123
20-9-2	FLANGE STARTING CLUTCH	05124
20-9-3	CLUTCH ROLLER	05125
20-9-4	CLUTCH SPRING	05126
20-9-5	CLUTCH GUIDER	05127
20-9-6	HEX SOCKET BOLT M6X12	05128
20-9-7	NEEDLE BEARING	05129
20-10	GEAR STARTER REDUCTION ASS'Y	05130
20-10-1	GEAR STARTER REDUCTION	05131
20-10-2	SHAFT STARTER REDUCTION GEAR	05132
20-11	HEX FLANGE BOLT M6X18	05117
20-12	GEAR COMP STARTING CLUTCH	05134
20-13	PLAIN WASHER 22X31X2.5	05135
20-14	NUT M22	05136

D-21 ELECTRICAL PARTS



Drawing No:
033-016B

P/N	DESCRIPTION	FFA PART #
21-1	MAIN WIRE (COWL)	05137
21-2	MAIN WIRE (ENGINE)	05138
21-2-1	FUSE 15A	05139
21-3	IGNITION COIL ASS'Y	05140
21-4	C.D.I. UNIT ASS'Y	05141
21-4-1	FIX RUBBER	05142
21-5	RECTIFIER & REGULATOR	05143
21-6	STARTER RELAY ASSY. (CYLINDR)	05144
21-7	HEX FLANGE NUT SERPATION M6	05145
21-8	HOUR METER	04771
21-9	ELECTRICAL PARTS FIX PLATE	05147
21-10	HEX FLANGE BOLT M6X16	05148
21-11	HEX FLANGE BOLT M5X20	05149
21-12	HEAD LIGHT SWITCH	04769
21-13	POWER PORT	04768
21-13-1	RUBBER WASHER 26X28X10MM	05152

21-14	MAIN KEY SWITCH ASS'Y	04770
21-15	STRAP ALR=220AH	05154